

AUTOMATIC TRANSMISSION R4A51, V4A51

CONTENTS

GENERAL INFORMATION	23D-0-3
1. SPECIFICATIONS	23D-1-1
TRANSMISSION MODEL TABLE	23D-1-1
GENERAL SPECIFICATIONS	23D-1-2
SERVICE SPECIFICATIONS	23D-1-3
VALVE BODY SPRING IDENTIFICATION	23D-1-4
TORQUE SPECIFICATIONS	23D-1-5
SNAP RING, THRUST RACE, SPACER AND PRESSURE PLATE FOR ADJUSTMENT	23D-1-7
SEALANTS	23D-1-12
LUBRICANTS <V4A51>	23D-1-13
2. SPECIAL TOOLS	23D-2-1
3. TRANSMISSION AND EXTENSION HOUSING <R4A51>	23D-3-1
4. TRANSMISSION AND TRANSFER <V4A51>	23D-4-1
5. EXTENSION HOUSING <R4A51>	23D-5-1
6. TRANSFER CASE ADAPTER <V4A51>	23D-6-1
7. TRANSMISSION	23D-7-1
8. REVERSE AND OVERDRIVE CLUTCH	23D-8-1
9. SECOND BRAKE	23D-9-1
10. LOW/REVERSE ANNULUS GEAR	23D-10-1
11. CENTER SUPPORT	23D-11-1
12. UNDERDRIVE CLUTCH	23D-12-1
13. VALVE BODY	23D-13-1
14. TRANSFER <V4A51>	23D-14-1
14a. TRANSFER <V4A51 – Super Select 4WD II>	23D-14a-1
15. TRANSFER CASE PLATE <V4A51>	23D-15-1
16. INPUT GEAR <V4A51>	23D-16-1
17. COUNTER GEAR <V4A51>	23D-17-1
18. REAR OUTPUT SHAFT <V4A51 – Part Time 4WD>	23D-18-1
18a. REAR OUTPUT SHAFT <V4A51 – Super Select 4WD II>	23D-18a-1
19. FRONT OUTPUT SHAFT <V4A51>	23D-19-1
20. SPEEDOMETER GEAR <R4A51-5, V4A51-5>	23D-20-1
21. TRANSFER DRIVE SHAFT <V4A51 – Super Select 4WD II>	23D-21-1
22. SHIFT RAIL DRIVE GEAR <V4A51 – Super Select 4WD II>	23D-22-1
23. 2-4WD SHIFT RAIL AND H-L SHIFT RAIL <V4A51 – Super Select 4WD II>	23D-23-1

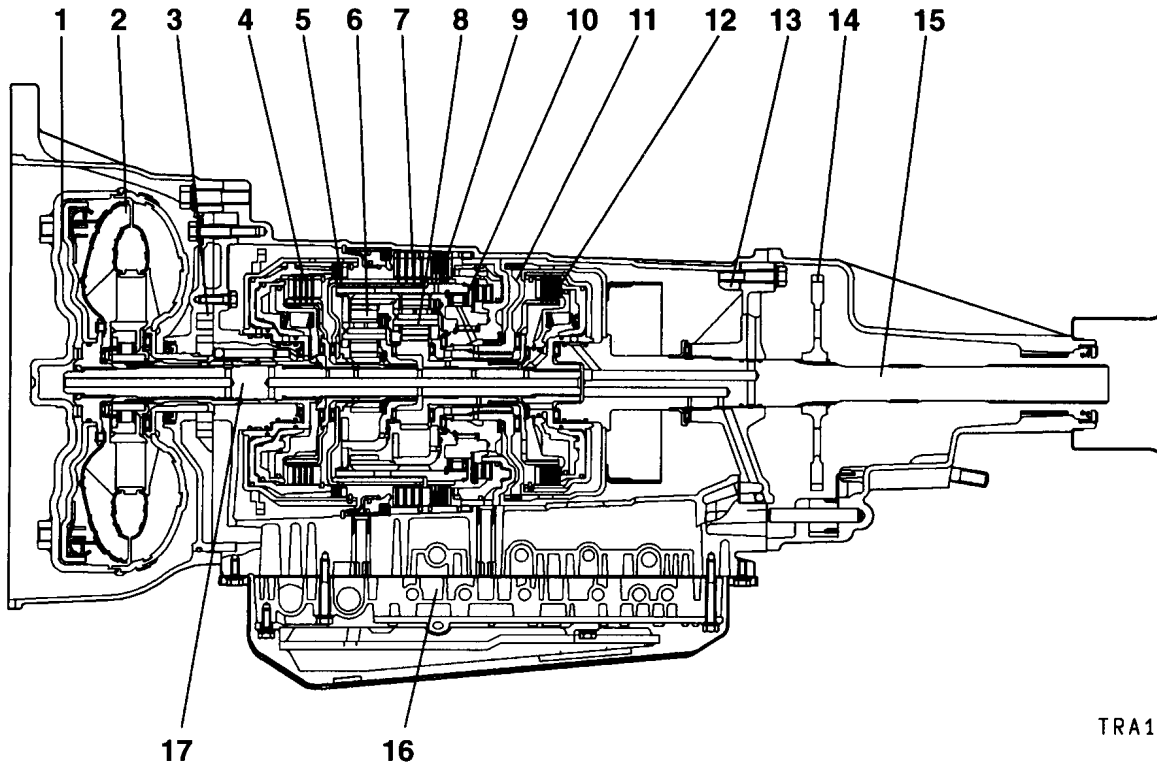
NOTES

GENERAL INFORMATION

This transmission is the newly developed 4-speed automatic transmission that merges advanced electronic technology and mechanical technology.

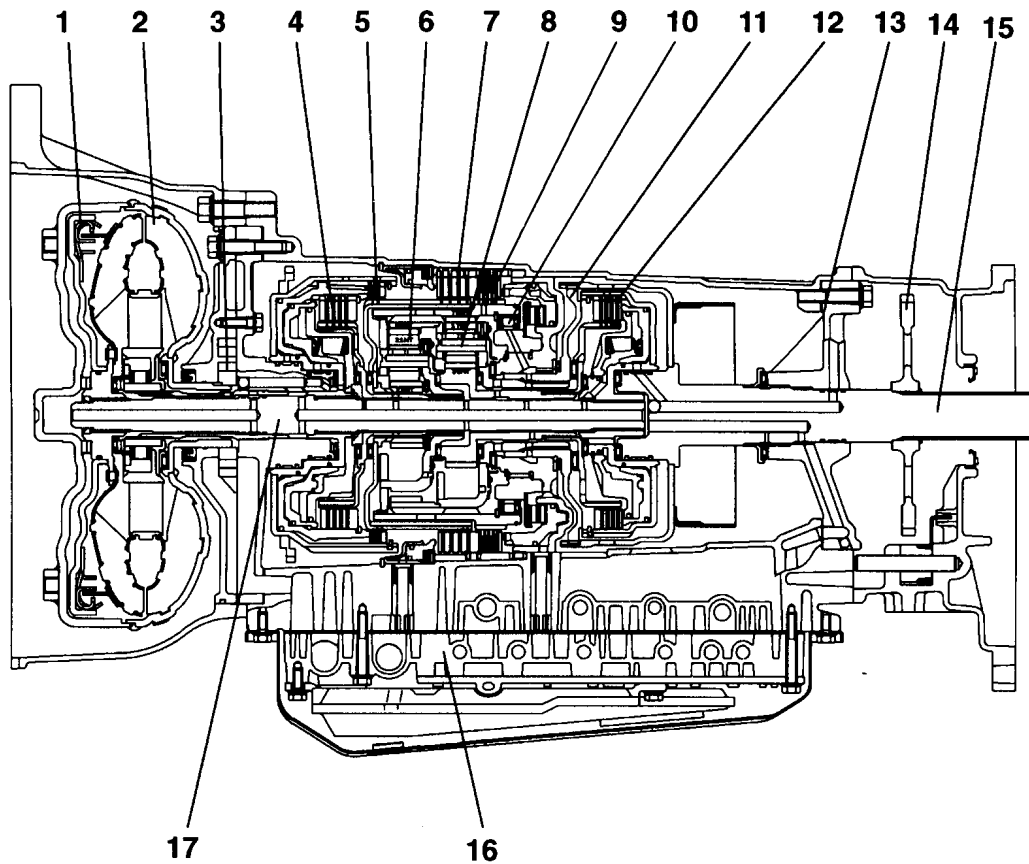
- (1) A hydraulic balance mechanism is incorporated for the transmission clutch, allowing speed changes at ultra-high speeds to be handled.
- (2) The weight has been reduced by using precision sheet metal pressing of the clutch retainer, etc., and using aluminum die cast for the oil pump housing, etc.

SECTIONAL VIEW <R4A51>



- | | |
|--------------------------------|--------------------------|
| 1. Torque converter clutch | 10. One-way clutch |
| 2. Torque converter | 11. Center support |
| 3. Oil pump | 12. Underdrive clutch |
| 4. Overdrive clutch | 13. Output shaft support |
| 5. Reverse clutch | 14. Parking gear |
| 6. Overdrive planetary carrier | 15. Output shaft |
| 7. Second brake | 16. Valve body |
| 8. Output planetary carrier | 17. Input shaft |
| 9. Low/reverse brake | |

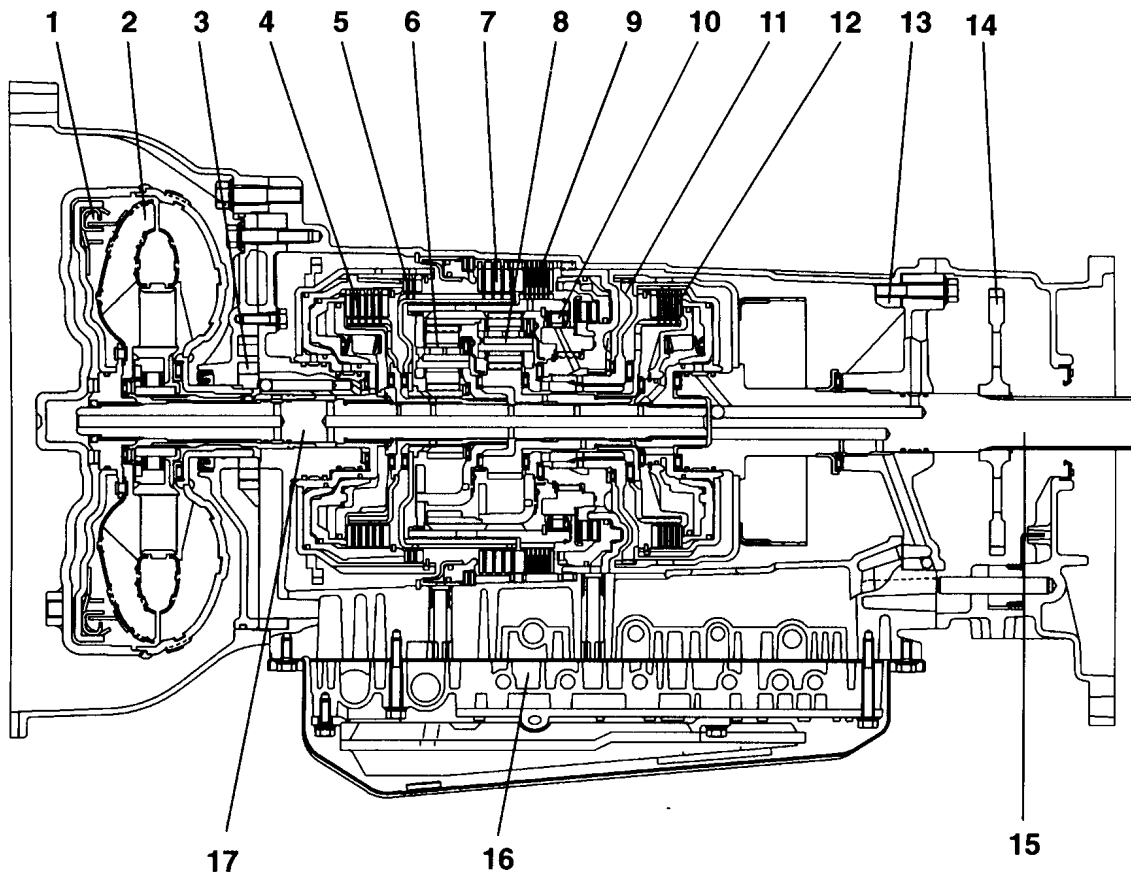
SECTIONAL VIEW <V4A51 TRANSMISSION> – 6G72 ENGINE



TRA1839

- | | |
|--------------------------------|--------------------------|
| 1. Torque converter clutch | 10. One-way clutch |
| 2. Torque converter | 11. Center support |
| 3. Oil pump | 12. Underdrive clutch |
| 4. Overdrive clutch | 13. Output shaft support |
| 5. Reverse clutch | 14. Parking gear |
| 6. Overdrive planetary carrier | 15. Output shaft |
| 7. Second brake | 16. Valve body |
| 8. Output planetary carrier | 17. Input shaft |
| 9. Low/reverse brake | |

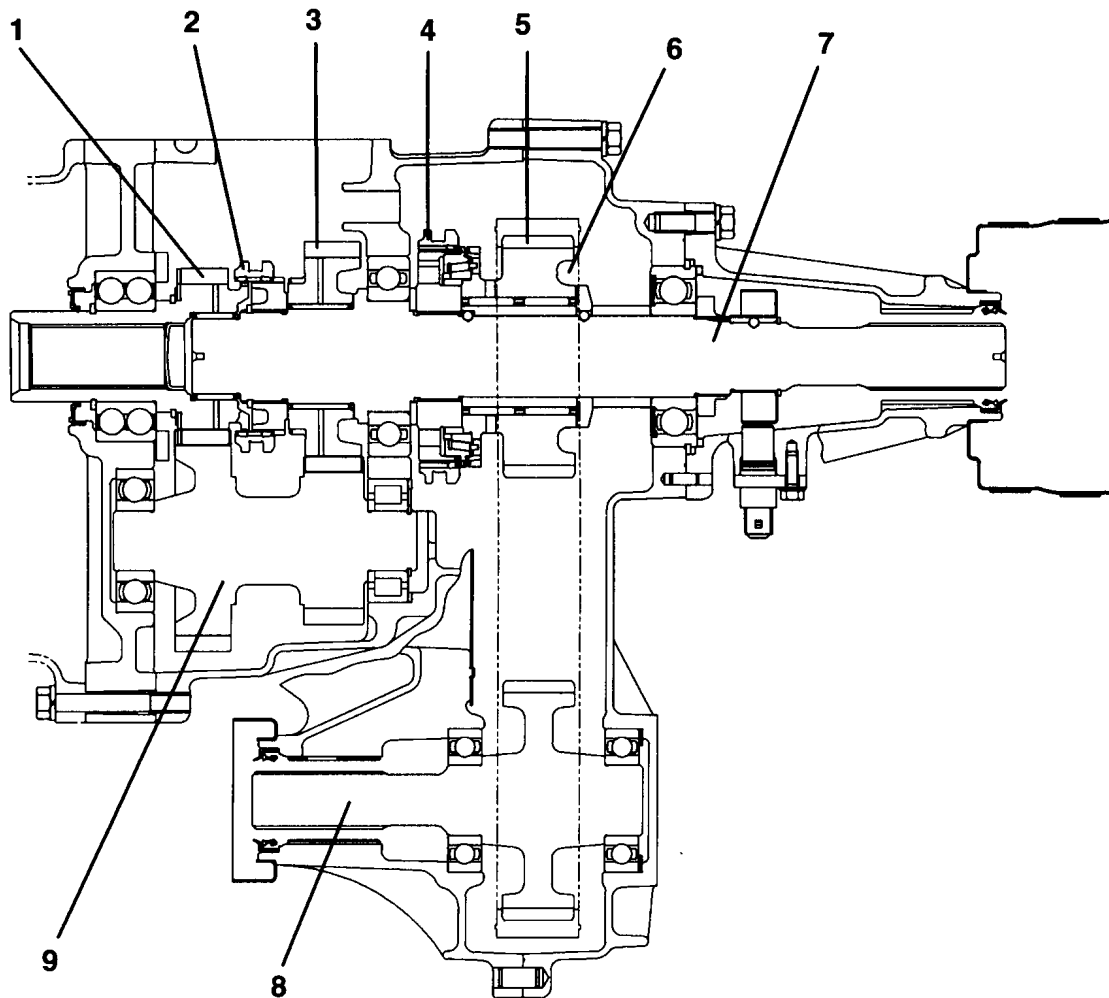
SECTIONAL VIEW <V4A51 TRANSMISSION> – 4M40 ENGINE, 6G74 ENGINE



TRA1856

- | | |
|--------------------------------|--------------------------|
| 1. Torque converter clutch | 10. One-way clutch |
| 2. Torque converter | 11. Center support |
| 3. Oil pump | 12. Underdrive clutch |
| 4. Overdrive clutch | 13. Output shaft support |
| 5. Reverse clutch | 14. Parking gear |
| 6. Overdrive planetary carrier | 15. Output shaft |
| 7. Second brake | 16. Valve body |
| 8. Output planetary carrier | 17. Input shaft |
| 9. Low/reverse brake | |

SECTIONAL VIEW <V4A51 TRANSFER> – PART TIME 4WD

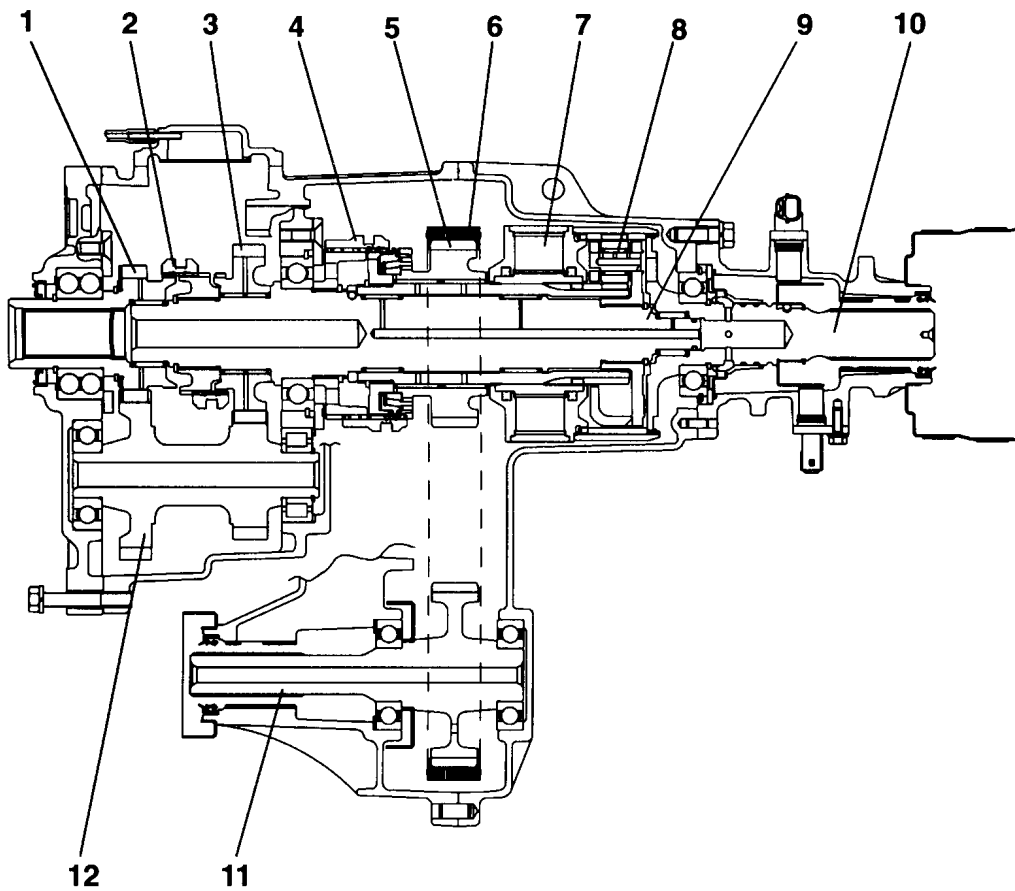


TRA1857

1. Transfer input gear
2. H-L clutch
3. Low speed gear
4. 2-4WD clutch sleeve
5. Drive sprocket

6. Chain
7. Rear output shaft
8. Front output shaft
9. Counter shaft gear

SECTIONAL VIEW <V4A51 TRANSFER> – SUPER SELECT 4WD II

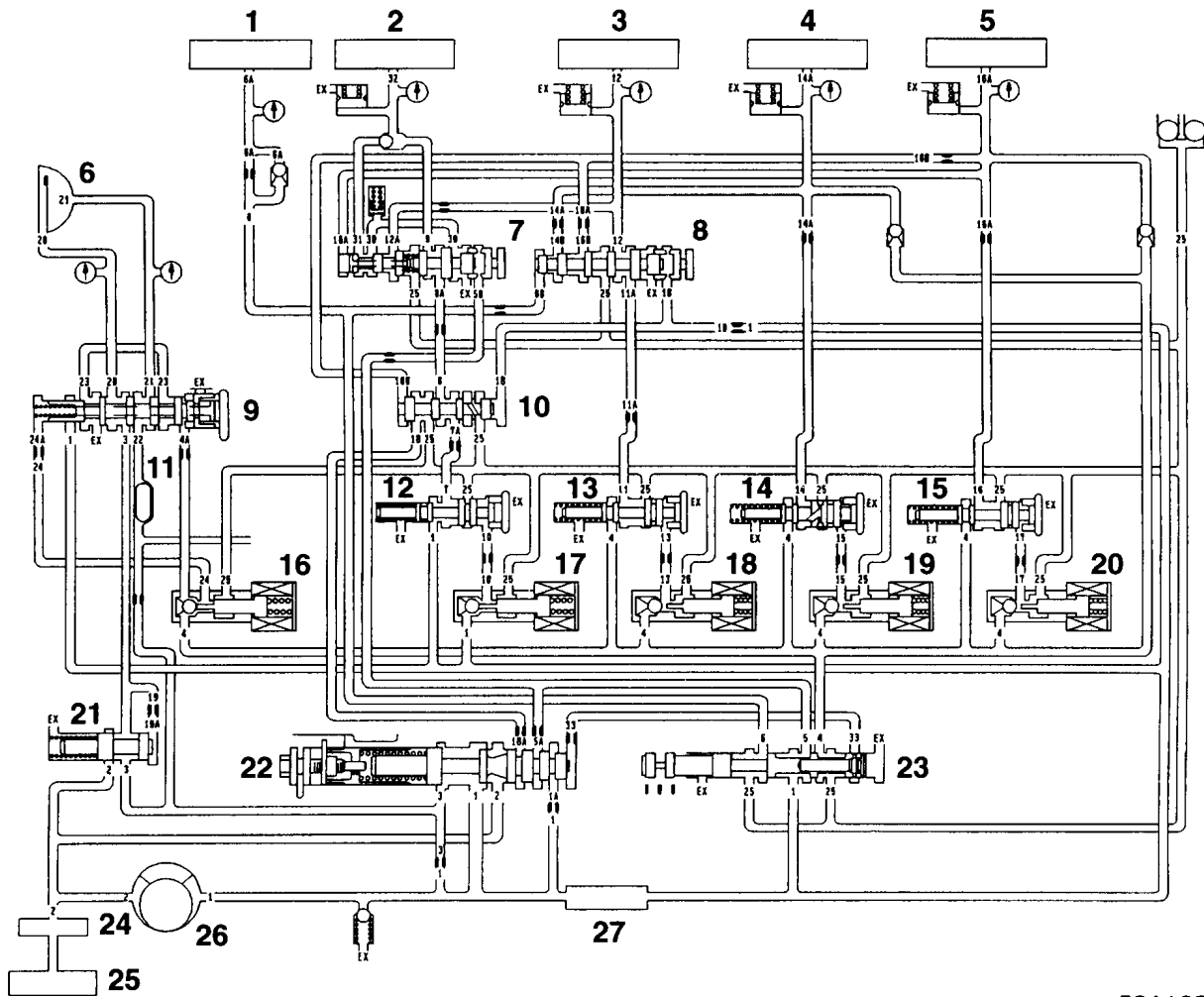


TRA1840

1. Transfer input gear
2. H-L clutch
3. Low speed gear
4. 2-4WD synchronizer sleeve
5. Drive sprocket
6. Chain

7. Viscous coupling
8. Center differential planetary carrier
9. Transfer drive shaft
10. Rear output shaft
11. Front output shaft
12. Transfer counter gear

HYDRAULIC CONTROL SYSTEM



TRA1356

- | | |
|---|--|
| <ul style="list-style-type: none"> 1. Reverse clutch 2. Low/reverse brake 3. Second brake 4. Underdrive clutch 5. Overdrive clutch 6. Torque converter clutch 7. Fail-safe valve A 8. Fail-safe valve B 9. Torque converter clutch control valve 10. Switching valve 11. Cooler 12. Low-reverse brake pressure control valve 13. Second brake pressure control valve 14. Underdrive clutch pressure control valve | <ul style="list-style-type: none"> 15. Overdrive clutch pressure control valve 16. Torque converter clutch control solenoid valve 17. Low-reverse brake solenoid valve 18. Second brake solenoid valve 19. Underdrive clutch solenoid valve 20. Overdrive clutch solenoid valve 21. Torque converter pressure control valve 22. Regulator valve 23. Manual valve 24. Oil filter 25. Oil pan 26. Oil pump 27. Oil strainer |
|---|--|

1. SPECIFICATIONS

TRANSMISSION MODEL TABLE – MODEL 2000

Transmission models		Vehicle model	Engine model
EUR	V4A51-5-DHA3	K96W	6G72
	V4A51-5-DHA4	K96W	6G72
EXP	R4A51-5-DCA	K86W	6G72
	R4A51-5-DEA	K86W	6G72
	V4A51-5-DHA3	K96W	6G72
	V4A51-5-DHA4	K96W	6G72
	V4A51-5-QIA	K97W	4M40
	V4A51-5-QIA1	K97W	4M40

TRANSMISSION MODEL TABLE – MODEL 2001

Transmission models		Vehicle model	Engine model
EXP	V4A51-7-QBA	V66W, V76W	4M40
	V4A51-7-DCA	V63W, V73W	6G72
	V4A51-7-DCA1	V63W, V73W	6G72

GENERAL SPECIFICATIONS

Item		R4A51	V4A51
Torque converter	Type	3-element, 1-stage, 2-phase type with lockup clutch	
Transmission	Type	4-speed, fully automatic	
	Gear ratios	1st gear	2.884
		2nd gear	1.495
		3rd gear	1.000
		4th gear	0.731
Reverse	2.720		
Transfer	Type	–	2-speed constant mesh
	Gear ratios	High	1.000
		Low	1.900

SERVICE SPECIFICATIONS**TRANSMISSION**

Item	Standard value
Output shaft end play mm	0.25 – 0.55
Underdrive clutch end play mm	1.6 – 1.8
Input shaft end play mm	0.25 – 0.81
Overdrive clutch end play <for 6G72 engine> mm	1.6 – 1.8
Overdrive clutch end play <for 4M40 engine> mm	2.0 – 2.2
Overdrive clutch return spring retainer end play mm	0 – 0.09
Second brake end play mm	1.49 – 1.95
Center support end play mm	0 – 0.16
Brake reaction plate end play mm	0 – 0.16
Reverse clutch end play mm	1.5 – 1.7
Low/reverse brake end play <for 6G72 engine> mm	1.35 – 1.81
Low/reverse brake end play <for 4M40 engine> mm	1.65 – 2.11

TRANSFER <V4A51>

Item	Standard value
Input gear bearing end play mm	0 – 0.06
Countershaft gear end play mm	0 – 0.15
Countershaft gear bearing end play mm	0 – 0.08
H-L clutch hub end play mm	0 – 0.08
Rear output shaft end play (Part time 4WD) mm	0 – 0.1
2-4WD clutch hub end play (Super select 4WD II) mm	0 – 0.08
Rear output shaft end play (Super select 4WD II) mm	0 – 0.12
Rear output shaft preload (Super select 4WD II) mm	0.12 – 0.24
Rear output shaft bearing end play (Super select 4WD II) mm	0 – 0.08
Annulus gear end play (Super select 4WD II) mm	0 – 0.08
Differential lock hub end play (Super select 4WD II) mm	0 – 0.08
Clearance between outer synchronizer ring and drive sprocket (Super select 4WD II) mm	Limit: 0.3

VALVE BODY SPRING IDENTIFICATION

Item	Wire diameter mm	Outside diameter mm	Free height mm	Number of loops
Orifice check ball spring	0.5	4.5	15.4	15
Torque converter clutch control valve spring	0.7	5.9	28.1	19
Damping valve spring	1.0	7.7	35.8	17
Torque converter pressure control valve spring	1.6	11.2	29.4	9.5
Fail-safe valve A spring	0.7	8.9	21.9	9.5
Pressure control valve spring	0.7	7.6	37.7	25
Line relief valve spring	1.0	7.0	17.3	10
Regulator valve spring	1.3	13.3	44.6	10.5

TORQUE SPECIFICATIONS**TRANSMISSION**

Item	Torque Nm
Output shaft support mounting bolt	23
Upper valve body mounting bolt	11
Park/neutral position switch mounting bolt	11
Extension housing mounting bolt <R4A51>	47
Oil pan mounting bolt	11
Oil filter mounting bolt	5.9
Oil pump mounting bolt	23
Cable end bracket mounting bolt	47
Converter housing to transmission case tightening bolt	47
Output shaft speed sensor mounting bolt	11
Speedometer sleeve clamp mounting bolt <R4A51>	18
Separating plate mounting bolt	5.9
Solenoid support mounting bolt	5.9
Transfer to transfer case adapter tightening bolt <V4A51>	47
Transmission case to transfer case adapter tightening bolt <V4A51>	47
Input shaft speed sensor mounting bolt	11
Valve body mounting bolt	11
Detent spring mounting bolt	5.9
Manual control lever mounting nut	22
Lower valve body mounting bolt	11
Lower valve body cover mounting bolt	11

TRANSFER <V4A51>**Part time 4WD**

Item	Torque Nm
Detection switches	34
Control housing to transfer case tightening bolt	18
Side cover mounting bolt	8.8
Support pin	21
Speedometer sleeve clamp mounting bolt	18
Transfer case to chain cover tightening bolt	35
Transfer case plate to bearing retainer mounting bolt	18
Transfer case plate to transfer case tightening bolt and nut	35
H-L shift rail plug	32
Harness bracket	18
Plug	35
Rear output shaft jam nut	255
Rear cover to chain cover tightening bolt	35
Low switch	35

Super select 4WD II

Item	Torque Nm
Dynamic damper	35
Transfer case cover tightening bolt	19
Input gear bearing retainer mounting bolt	20
Transfer case to chain cover tightening bolt	35
Rear bearing retainer mounting bolt	20
Transfer case plate to transfer case tightening bolt and nut	35
Rear cover to chain cover tightening bolt	35
Shift actuator mounting bolt	11
4LLC switch	35
2WD switch	35
Center differential lock switch	35
4H switch	35
2WD-4WD switch	35
Vehicle speed sensor mounting bolt	11
Front output sensor mounting bolt	11
Rear output sensor mounting bolt	11

Intentionally blank

SNAP RING, THRUST RACE, SPACER AND PRESSURE PLATE FOR ADJUSTMENT TRANSMISSION**Thrust race (for adjustment of output shaft end play)**

Thickness mm	Identification symbol	Part number
1.6	None	MR276705
1.8	None	MR276706
2.0	None	MR276707
2.2	None	MR276708
2.3	None	MR276709

Snap ring (for adjustment of underdrive clutch and overdrive clutch end play)

Thickness mm	Identification symbol	Part number
1.6	Brown	MD759960
1.7	None	MD759961
1.8	Blue	MD759962
1.9	Brown	MD758892
2.0	None	MD750841
2.1	Blue	MD750842
2.2	Brown	MD750843
2.3	None	MD750844
2.4	Blue	MD750845
2.5	Brown	MD750846
2.6	None	MD750847
2.7	Blue	MD750848
2.8	Brown	MD750849
2.9	None	MD750850
3.0	Blue	MD750851

Thrust race (for adjustment of input shaft end play)

Thickness mm	Identification symbol	Part number
1.4	None	MD723063
1.6	None	MD707267
1.8	None	MD723064
2.0	None	MD707268
2.2	None	MD723065
2.4	None	MD724358
2.6	None	MD754798

Snap ring (for adjustment of overdrive clutch return spring retainer end play)

Thickness mm	Identification symbol	Part number
1.48	Brown	MR336158
1.53	Black	MR336159
1.58	None	MR336160
1.63	Brown	MR336161

Pressure plate (for adjustment of second brake end play)

Thickness mm	Identification symbol	Part number
1.6	F	MR336390
1.8	E	MR336391
2.0	D	MR336392
2.2	C	MR336393
2.4	B	MR336394
2.6	A	MR336395
2.8	0	MR336396
3.0	1	MR336397

Snap ring (for adjustment of center support and brake reaction plate end play)

Thickness mm	Identification symbol	Part number
2.2	None	MD756784
2.3	Blue	MD756785
2.4	Brown	MD758552
2.5	None	MD758553

Snap ring (for adjustment of reverse clutch end play)

Thickness mm	Identification symbol	Part number
1.6	None	MD761088
1.7	Blue	MD761089
1.8	Brown	MD761090
1.9	None	MD758947
2.0	Blue	MD756690
2.1	Brown	MD756691
2.2	None	MD756692
2.3	Blue	MD756693
2.4	Brown	MD756694
2.5	None	MD756695
2.6	Blue	MD756696
2.7	Brown	MD756697
2.8	None	MD756698

Snap ring (for adjustment of low/reverse brake end play)

Thickness mm	Identification symbol	Part number
1.8	E	MD759425
2.0	D	MD759426
2.2	C	MD759427
2.4	B	MD759428
2.6	A	MD759429
2.8	0	MD759430
3.0	1	MD759431

TRANSFER <V4A51>**Spacer (for adjustment of input gear bearing end play)**

Thickness mm	Identification symbol	Part number
2.30	None	MD704199
2.35	Red	MD704200
2.40	White	MD704201
2.45	Blue	MD704202
2.50	Green	MD704203

Spacer (for adjustment of countershaft gear end play)

Thickness mm	Identification symbol	Part number
1.77	None	MB896728
1.91	Blue	MB896729
2.05	Brown	MB896730
2.19	White	MB896731
2.33	Red	MB896732

Snap ring (for adjustment of countershaft gear bearing end play)

Thickness mm	Identification symbol	Part number
1.48	Blue	MB919176
1.62	None	MB919177

Spacer (for adjustment of rear output shaft end play) – Part time 4WD

Thickness mm	Identification symbol	Part number
2.75	B75	MR528586
2.79	B79	MR528587
2.83	B83	MR528588
2.87	B87	MR528589
2.91	B91	MR528590
2.95	B95	MR528591
2.99	B99	MR528592
3.03	C03	MR528593
3.07	C07	MR528594
3.11	C11	MR528595

Snap ring (for adjustment of H-L clutch hub end play) – Part time 4WD

Thickness mm	Identification symbol	Part number
2.18	Blue	MR110983
2.25	None	MR110934
2.32	Brown	MR110935
2.39	White	MR110936

Snap ring (for adjustment of H-L clutch hub end play) – Super select 4WD II

Thickness mm	Identification symbol	Part number
2.18	None	MR410928
2.25	None	MR410929
2.32	None	MR410930
2.39	None	MR410931

Snap ring (for adjustment of differential lock hub end play) – Super select 4WD II

Thickness mm	Identification symbol	Part number
2.56	None	MD738386
2.63	Red	MD738387
2.70	White	MD738388
2.77	Blue	MD738389
2.84	Yellow	MD738390
2.91	Green	MD738391
2.98	Brown	MD738392

Snap ring (for adjustment of 2-4WD clutch hub end play) – Super select 4WD II

Thickness mm	Identification symbol	Part number
2.56	None	MD738393
2.63	Red	MD738394
2.70	White	MD738395
2.77	Blue	MD738396
2.84	Yellow	MD738397

Snap ring (for adjustment of rear output shaft bearing end play) – Super select 4WD II

Thickness mm	Identification symbol	Part number
2.26	None	MD734311
2.33	Red	MD734312
2.40	White	MD734313
2.47	Blue	MD734314

Snap ring (for adjustment of rear output shaft annulus gear end play) – Super select 4WD II

Thickness mm	Identification symbol	Part number
1.90	None	MR305024
1.94	None	MR305025
1.98	None	MR305026
2.02	None	MR305027
2.06	None	MR305028
2.10	None	MR305029

Snap ring (for adjustment of rear output shaft preload) – Super select 4WD II

Thickness mm	Identification symbol	Part number
1.57	None	MR486340
1.63	None	MR486341
1.69	None	MR486342
1.75	None	MR486343
1.81	None	MR486344
1.87	None	MR486345
1.93	None	MR486346
1.99	None	MR486347
2.05	None	MR477935
2.11	None	MR477936
2.17	None	MR477937
2.23	None	MR477938
2.29	None	MR477939
2.35	None	MR477940
2.41	None	MR477941
2.47	None	MR477942
2.53	None	MR477943
2.59	None	MR477944
2.65	None	MR477945
2.71	None	MR477946

Spacer (for adjustment of rear output shaft end play) – Super select 4WD II

Thickness mm	Identification symbol	Part number
2.57	None	MR477950
2.63	None	MR477951
2.69	None	MR477952
2.75	None	MR477953
2.81	None	MR477954
2.87	None	MR477955
2.93	None	MR477956
2.99	None	MR477957
3.05	None	MR477958
3.11	None	MR477959
3.17	None	MR477960
3.23	None	MR477961
3.29	None	MR477962
3.35	None	MR477963
3.41	None	MR477964
3.47	None	MR477965

Thickness mm	Identification symbol	Part number
3.53	None	MR477966
3.59	None	MR477967
3.65	None	MR477968
3.71	None	MR486348
3.77	None	MR486349
3.83	None	MR486350
3.89	None	MR486351
3.95	None	MR486352

SEALANTS**TRANSMISSION**

Item	Specified sealant
Oil pan	MITSUBISHI genuine sealant part No. MR166584 or equivalent
Transfer case adapter (transmission side)	MITSUBISHI genuine sealant part No. MR166584 or equivalent

TRANSFER <V4A51>

Item	Specified sealant
Bearing retainer mounting bolt	MITSUBISHI genuine sealant part No. MD997740 or equivalent
Chain cover	MITSUBISHI genuine sealant part No. MD997740 or equivalent
Control housing (Part time 4WD)	MITSUBISHI genuine sealant part No. MD997740 or equivalent
H-L shift rail plug (Part time 4WD)	3M™ AAD part No. 8672 or equivalent
Plug (Part time 4WD)	3M™ AAD part No. 8672 or equivalent
Rear cover	MITSUBISHI genuine sealant part No. MD997740 or equivalent
Support pin insertion (Part time 4WD)	3M™ AAD part No. 8672 or equivalent
Support pin thread (Part time 4WD)	MITSUBISHI genuine adhesive part No. MD160450 or equivalent
Transfer case plate	MITSUBISHI genuine sealant part No. MD997740 or equivalent
Transfer case cover (Super select 4WD II)	MITSUBISHI genuine sealant part No. MD997740 or equivalent
Sealing cap (Super select 4WD II)	3M™ AAD part No. 8672 or equivalent

FORM-IN-PLACE GASKET (FIPG)

The transmission has several areas where the form-in-place gasket (FIPG) is in use. To ensure that the gasket fully serves its purpose, it is necessary to observe some precautions when applying the gasket. Bead size, continuity and location are of paramount importance. Too thin a bead could cause leaks. Too thick a bead, on the other hand, could be squeezed out of location, causing blocking or narrowing of the fluid feed line. To eliminate the possibility of leaks from a joint, therefore, it is absolutely necessary to apply the gasket evenly without a break, while observing the correct bead size.

Since the FIPG used in the transmission hardens as it reacts with the moisture in the atmospheric air, it is normally used in the metallic flange areas.

Disassembly

The parts assembled with the FIPG can be easily disassembled without use of a special method. In some cases, however, the sealant between the joined surfaces may have broken by lightly striking with a mallet or similar tool. A flat and thin gasket scraper may be lightly hammered in between the joined surfaces. In this case, however, care must be taken to prevent damage to the joined surfaces.

Surface preparation

Thoroughly remove all substances deposited on the gasket application surfaces, using a gasket scraper or wire brush. Check to ensure that the surfaces to which the FIPG is to be applied is flat. Make sure that there are no oils, greases and foreign substances deposited on the application surfaces. Do not forget to remove the old FIPG remaining in the bolt holes.

Form-in-place gasket application

When assembling parts with the FIPG, you must observe some precautions, but the procedure is very simple as in the case of a conventional pre-cut gasket.

Applied FIPG bead should be of the specified size and without breaks. Also be sure to encircle the bolt hole circumference with a completely continuous bead. The FIPG can be wiped away unless it is hardened. While the FIPG is still moist (in less than 15 minutes), mount the parts in position. When the parts are mounted, make sure that the gasket is applied to the required area only. In addition, do not apply any oil or water to the sealing locations or start the engine until a sufficient amount of time (about one hour) has passed after installation is completed.

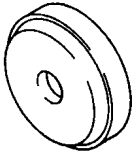
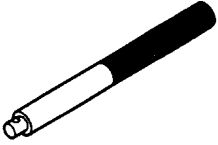
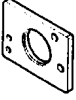
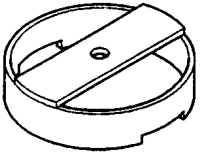

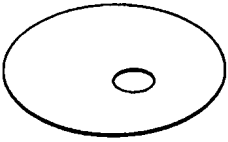
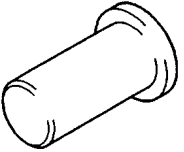
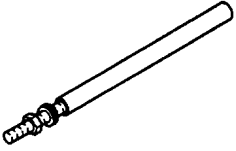
The FIPG application procedure may vary on different areas. Observe the procedure described in the text when applying the FIPG.

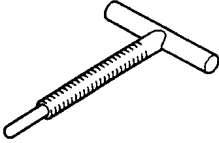
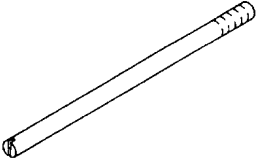
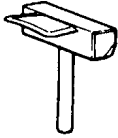

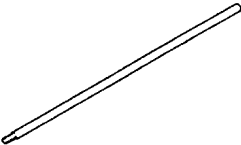
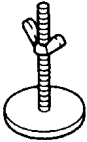
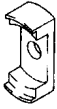
LUBRICANTS <V4A51>**TRANSFER**

Item	Specified lubricant
Lip of transfer case oil seal	MITSUBISHI genuine grease part No. 0101011 or equivalent
Lip of transfer case plate oil seal	
Lip of rear cover oil seal	


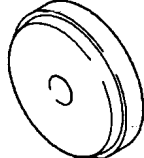
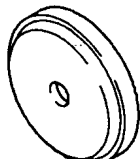
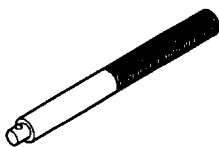

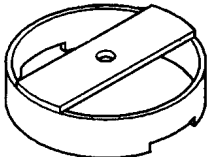
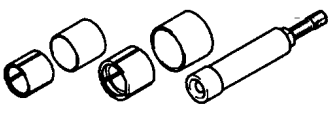
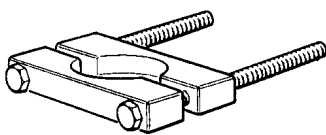
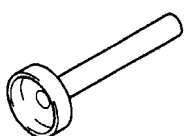
2. SPECIAL TOOLS


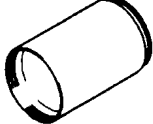
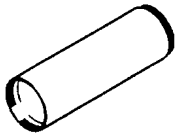

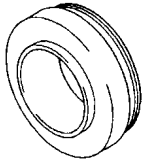
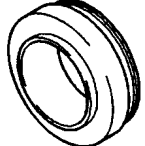
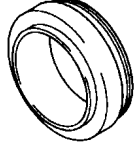
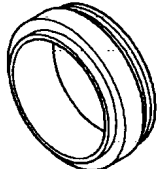

TRANSMISSION

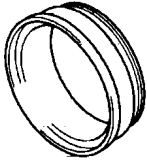
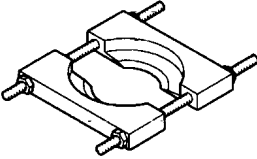
Tool	Number	Name	Use
	MB990929	Installer adapter	Installation of extension housing oil seal (R4A51) and transfer case adapter oil seal (V4A51)
	MB990938	Handle	Use with installer adapter
	MB991603	Bearing installer stopper	Measurement of output shaft and center support end plays
	MB991629	Spring compressor	Measurement of overdrive clutch and underdrive clutch end plays
	MB991630	Spring compressor	Removal and installation of center support snap ring
	MB991632	Clearance dummy plate	Measurement of brake reaction plate, second brake and low/reverse brake end plays
	MD998304	Oil seal installer	Measurement of output shaft end play
	MD998316	Dial gauge support	Measurement of input shaft end play

Tool	Number	Name	Use
	MD998333	Oil pump remover	Removal of oil pump
	MD998412	Guide	Installation of oil pump
	MD998727	Oil pan remover	Removal of oil pan
	MD998907	Spring compressor	Removal and installation of underdrive clutch spring retainer snap ring
	MD998913	Dial gauge extension	Measurement of brake reaction plate, second brake and low/reverse brake end plays
	MD998924	Spring compressor retainer	Use with spring compressor
	MD999590	Spring compressor	Removal and installation of reverse and overdrive clutch spring retainer snap ring

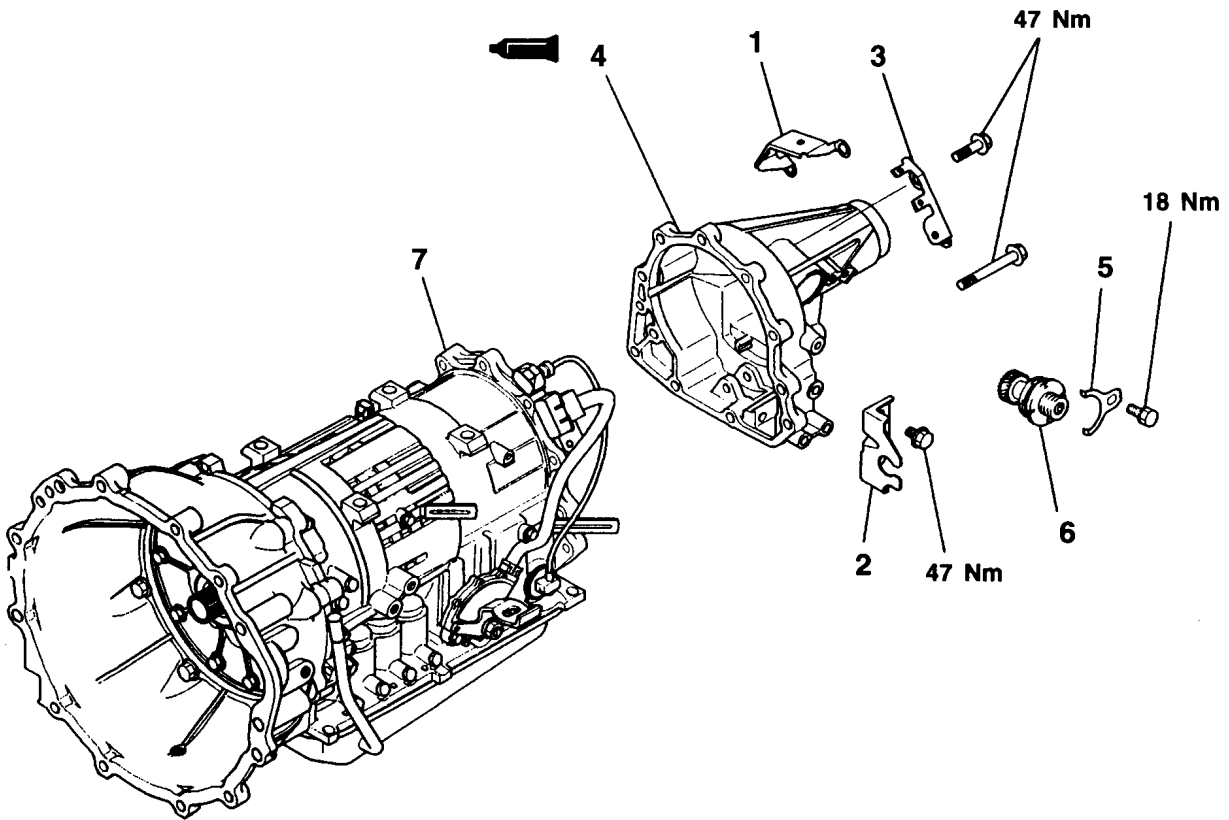
TRANSFER <V4A51>

Tool	Number	Name	Use
	MB990929	Installer adapter	Installation of transfer case oil seal and rear cover oil seal (Part time 4WD)
	MB990932	Installer adapter	Installation of oil seal (Super select 4WD II)
	MB990936	Installer adapter	Installation of oil seal (Super select 4WD II)
	MB990938	Handle	Use with installer adapter
	MB991013	Special spanner	Removal and installation of rear output shaft jam nut (Part time 4WD)
	MB991789	Spring compressor	Adjustment of reverse clutch end play
	MD998192	Bearing puller	Installation of transfer drive shaft bearing (Super select 4WD II)
	MD998801	Bearing remover	Removal and installation of bearing
	MD998803	Differential oil seal installer	Installation of transfer case plate oil seal (Part time 4WD)

Tool	Number	Name	Use
	MD998812	Installer cap	Use with installer and installer adapter
	MD998813	Installer-100	Use with installer cap and installer adapter
	MD998814	Installer-200	Use with installer cap and installer adapter
	MD998818	Installer adapter (38)	Installation of countershaft gear bearing, front output shaft bearing
	MD998820	Installer adapter (42)	Installation of rear output shaft bearing (Part time 4WD)
	MD998821	Installer adapter (44)	Installation of 2-4WD and H-L clutch hubs (Part time 4WD)
	MD998824	Installer adapter (50)	Installation of transfer input gear bearing
	MD998826	Installer adapter (52)	Installation of transfer input gear bearing (Super select 4WD II)
	MD998829	Installer adapter (60)	Installation of rear output shaft ball bearing (Part time 4WD)

Tool	Number	Name	Use
	MD998830	Installer adapter (66)	Installation of transfer drive shaft bearing (Super select 4WD II)
	MD998917	Bearing remover	Removal and installation of bearing (Super select 4WD II)

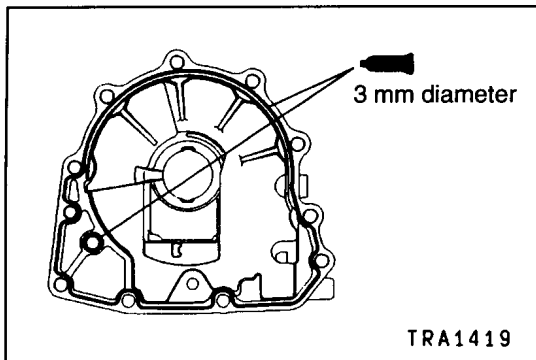
3. TRANSMISSION AND EXTENSION HOUSING <R4A51> DISASSEMBLY AND ASSEMBLY



TRA1418

Disassembly steps

- 1. Harness bracket
- 2. Cable end bracket
- 3. Harness bracket
- ▶A◀ 4. Extension housing
- 5. Speedometer sleeve clamp
- ▶B◀ 6. Speedometer gear
- 7. Transmission



REASSEMBLY SERVICE POINTS

▶A◀ EXTENSION HOUSING INSTALLATION

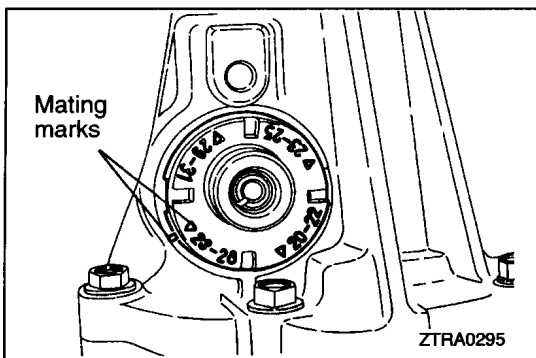
1. Apply Vaseline or petrolatum jelly on the bushing inside the extension housing.
2. After squeezing out and applying sealant on the extension housing at the section indicated in the illustration, install onto the transmission case.

Specified sealant:

MITSUBISHI genuine sealant part No. MR166584 or equivalent

Caution

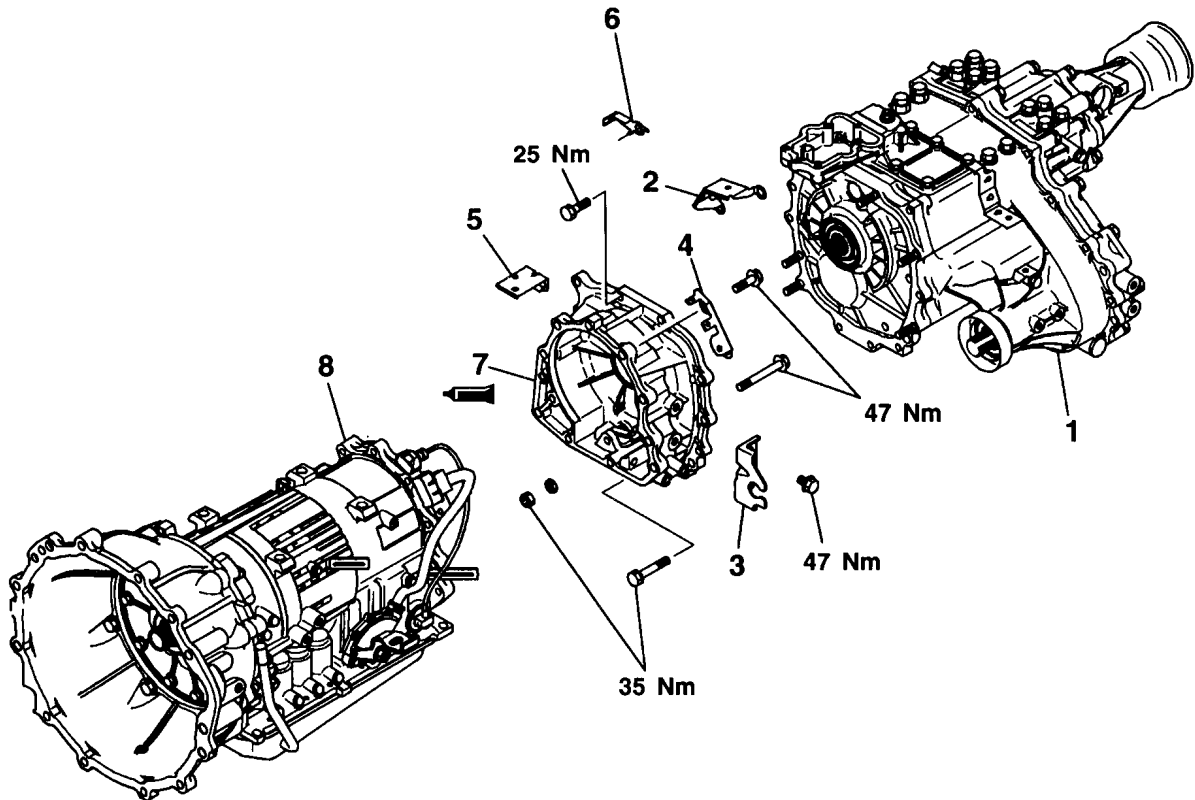
- Evenly squeeze out and apply the sealant so that it is not excessive and does not ooze out.



▶B◀ SPEEDOMETER GEAR INSTALLATION

Match the mating marks to the number of teeth.

4. TRANSMISSION AND TRANSFER <V4A51> DISASSEMBLY AND ASSEMBLY



TRA1858

Disassembly steps

1. Transfer
2. Harness bracket (V4A51-5)
3. Cable end bracket
4. Harness bracket
5. Harness bracket (V4A51-5)
6. Harness bracket (V4A51-7)
7. Transfer case adapter
8. Transmission



ASSEMBLY SERVICE POINT

▶A◀ TRANSFER CASE ADAPTER INSTALLATION

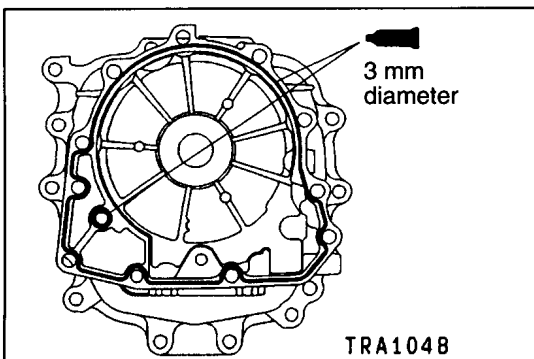
After squeezing out and applying sealant on the transfer case adapter at the section indicated in the illustration, install onto the transmission case.

Specified sealant:

MITSUBISHI genuine sealant part No. MR166584 or equivalent

Caution

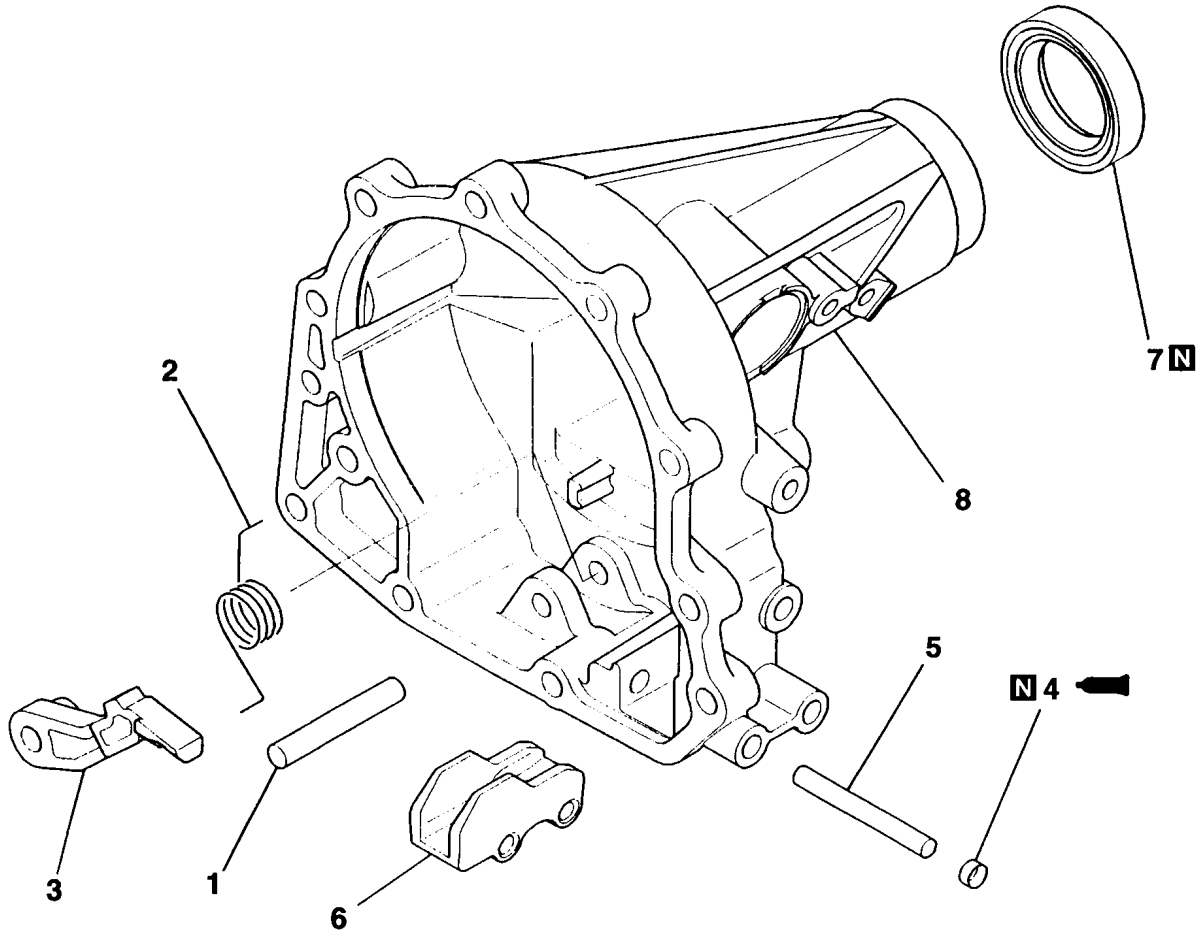
- Evenly squeeze out and apply the sealant so that it is not excessive and does not ooze out.



TRA1048

5. EXTENSION HOUSING <R4A51>

DISASSEMBLY AND ASSEMBLY



TRA1421

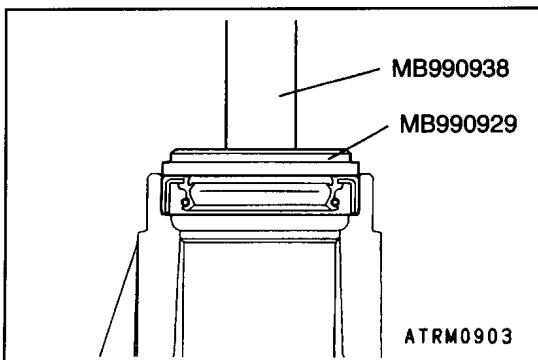
Disassembly steps

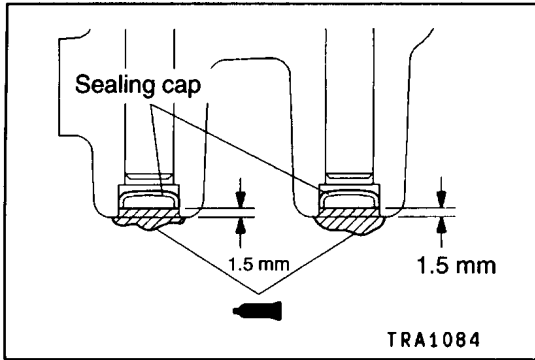
- ▶C◀ 1. Parking sprag shaft
- ▶C◀ 2. Parking sprag spring
- ▶C◀ 3. Parking sprag
- ▶B◀ 4. Sealing cap
- ▶B◀ 5. Parking roller support shaft
- ▶B◀ 6. Parking roller support
- ▶A◀ 7. Oil seal
- ▶A◀ 8. Extension housing

ASSEMBLY SERVICE POINTS

▶A◀ OIL SEAL INSTALLATION

Use the special tools to install the oil seal.

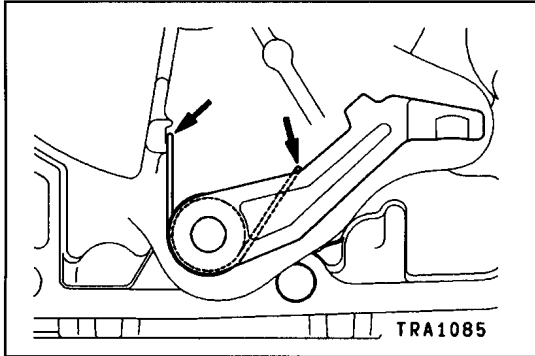


**▶B◀ SEALING CAP INSTALLATION**

1. Press the sealing caps into the dimensions shown in the illustration so that they are not slanted.
2. Apply sealant as shown in the illustration.

Specified sealant:

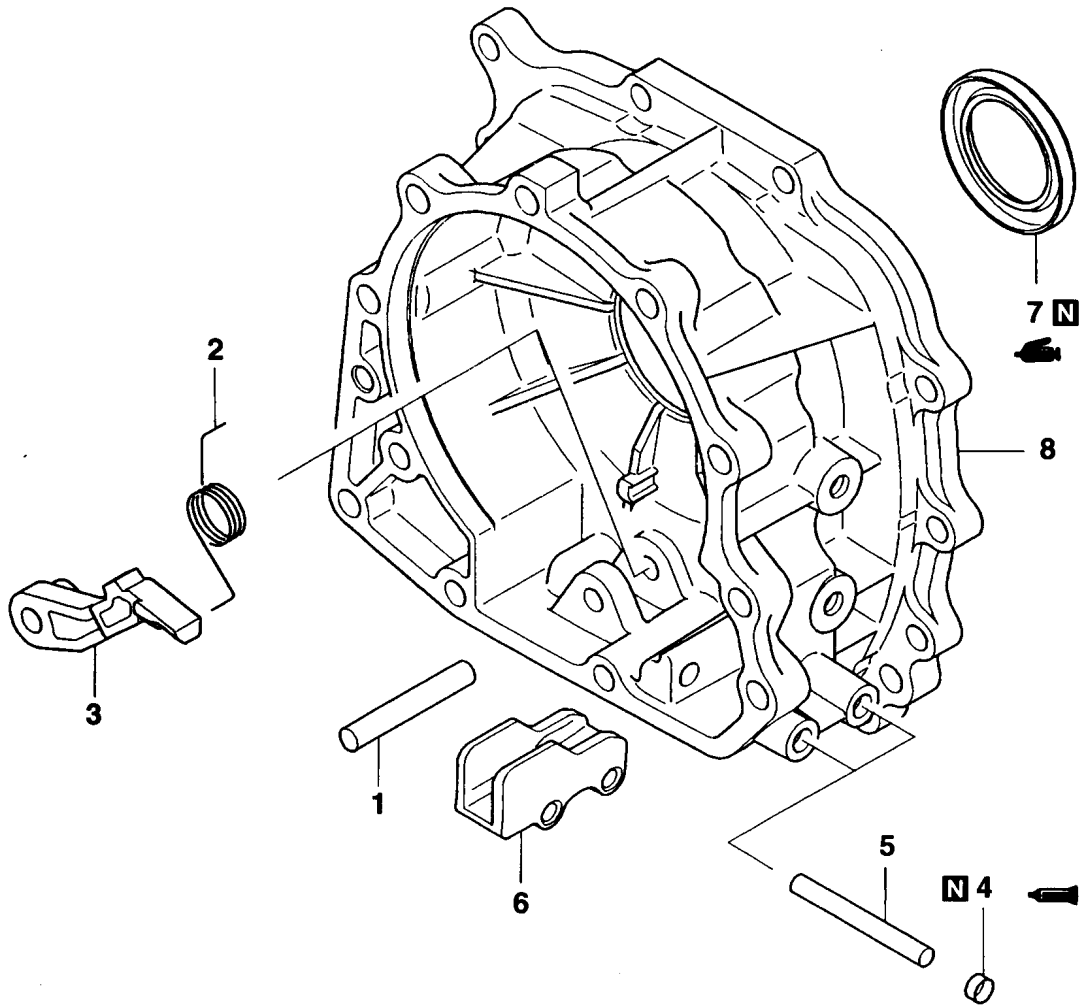
3M™ AAD part No. 8672 or equivalent

**▶C◀ PARKING SPRAG SPRING INSTALLATION**

Attach the end of the spring to the position shown in the illustration.

6. TRANSFER CASE ADAPTER <V4A51>

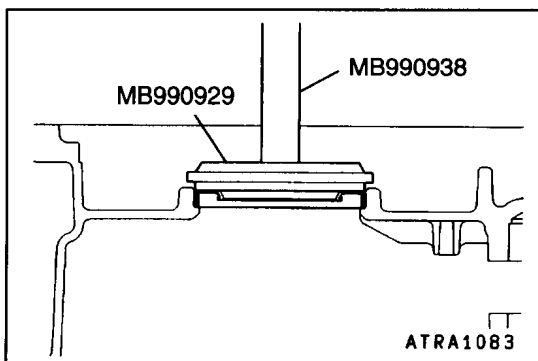
DISASSEMBLY AND ASSEMBLY



TRA1066

Disassembly steps

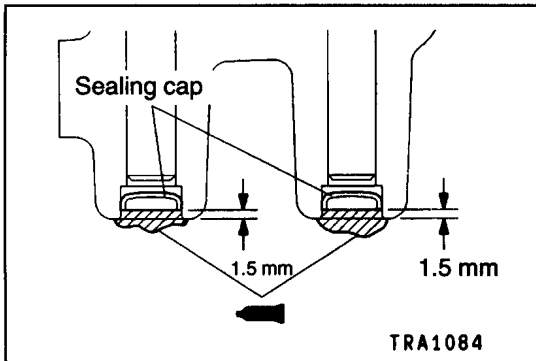
- ▶C◀ 1. Parking sprag shaft
- ▶C◀ 2. Parking sprag spring
- ▶C◀ 3. Parking sprag
- ▶B◀ 4. Sealing cap
- ▶B◀ 5. Parking roller support shaft
- ▶B◀ 6. Parking roller support
- ▶A◀ 7. Oil seal
- ▶A◀ 8. Transfer case adapter



ASSEMBLY SERVICE POINTS

▶A◀ OIL SEAL INSTALLATION

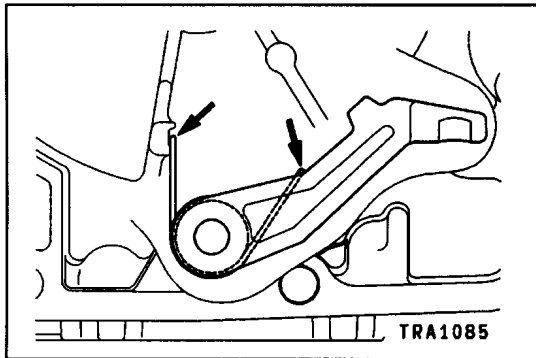
Use the special tools to install the oil seal.

**▶B◀ SEALING CAP INSTALLATION**

1. Press the sealing caps into the dimensions shown in the illustration so that they are not slanted.
2. Apply sealant as shown in the illustration.

Specified sealant:

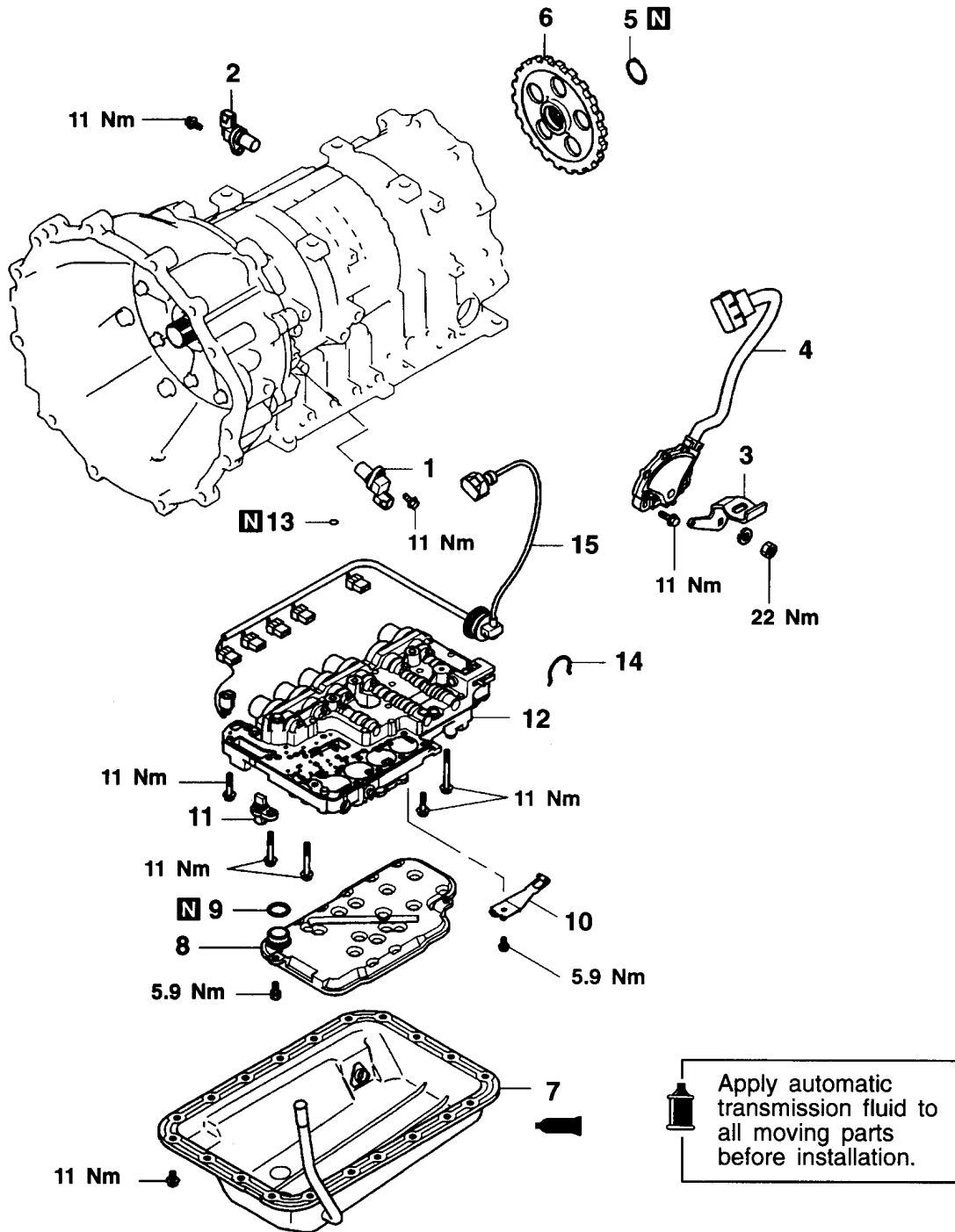
3M™ AAD part No. 8672 or equivalent

**▶C◀ PARKING SPRAG SPRING INSTALLATION**

Attach the end of the spring to the position shown in the illustration.

7. TRANSMISSION

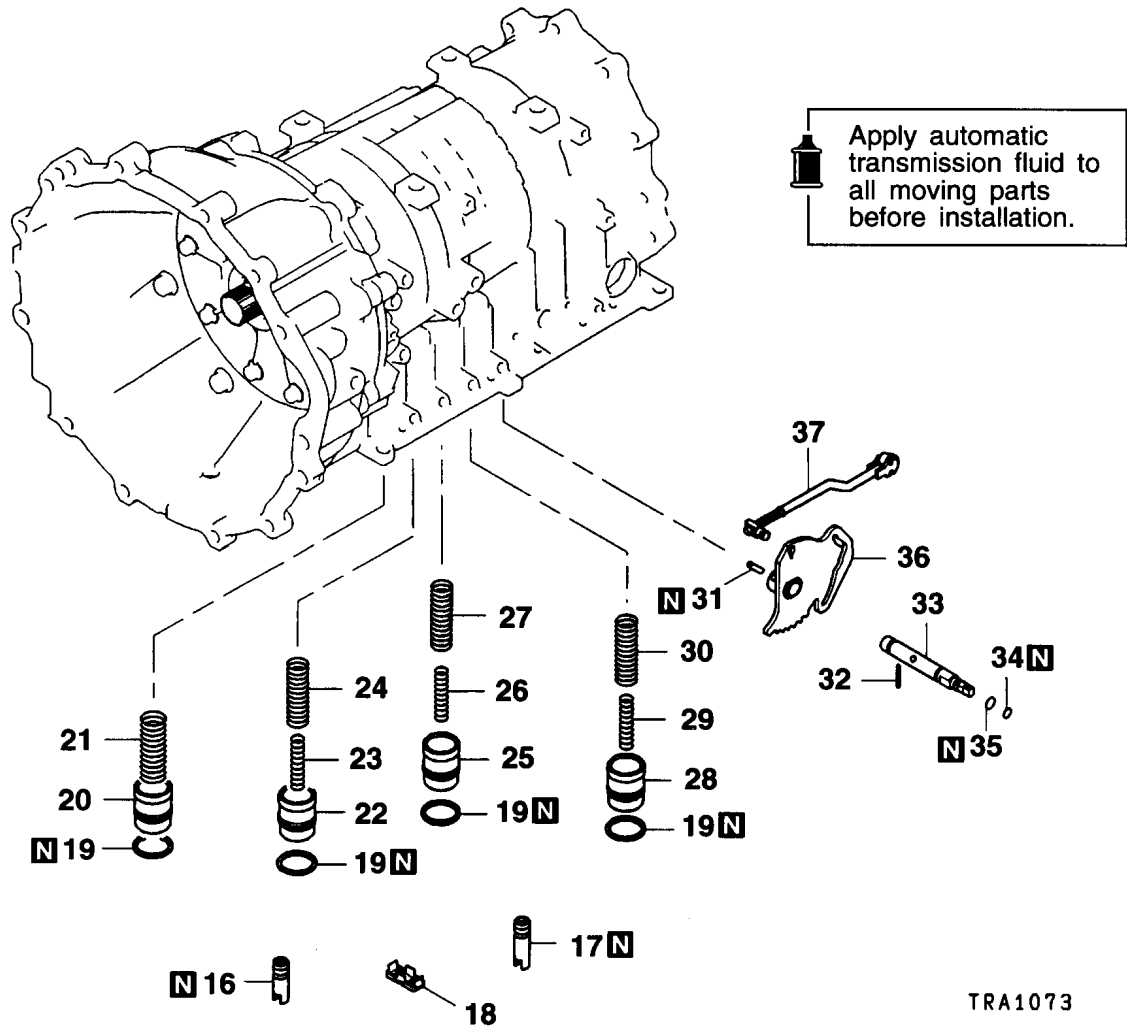
DISASSEMBLY AND ASSEMBLY



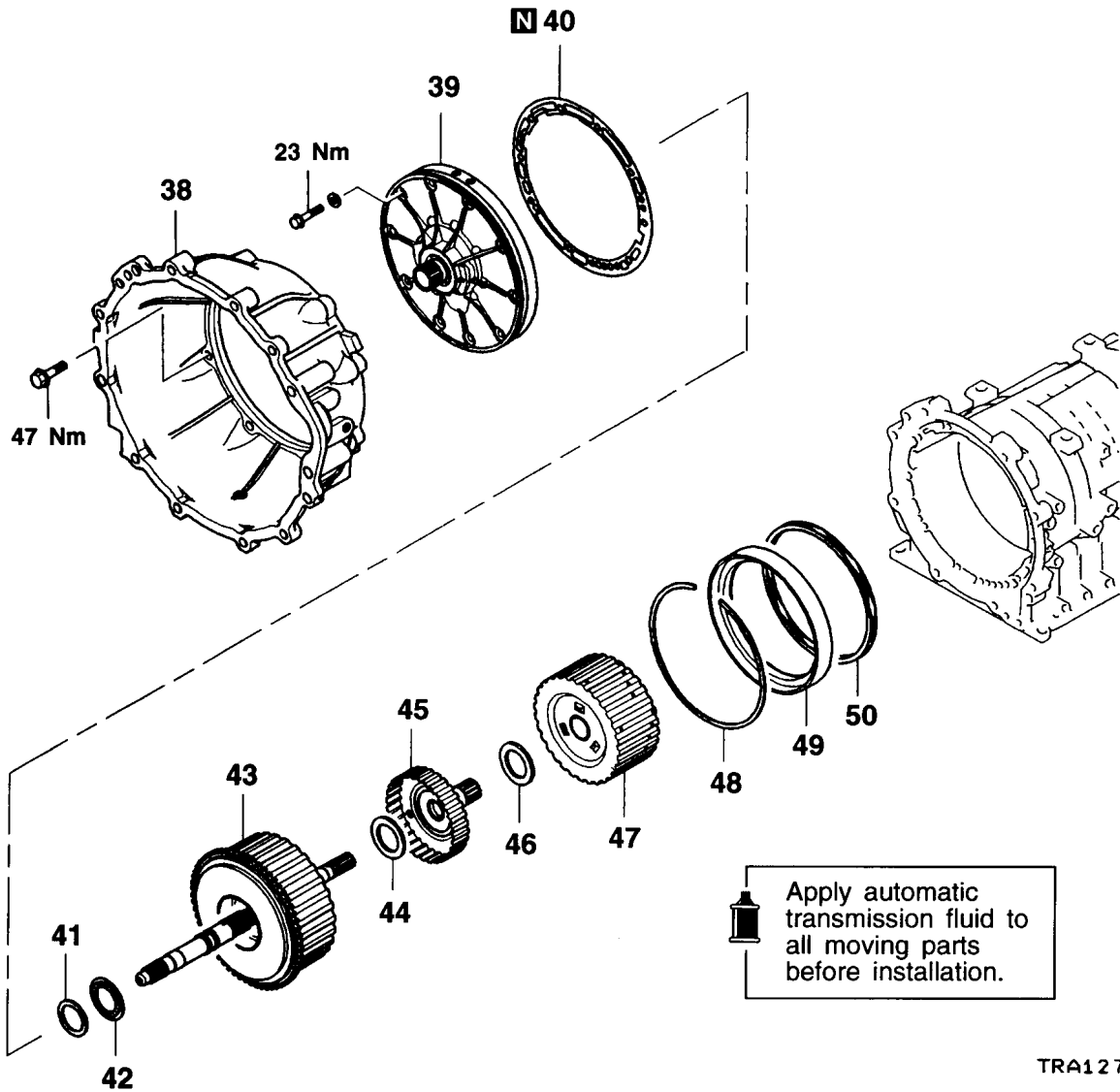
TRA1212

- 1. Input shaft speed sensor
- 2. Output shaft speed sensor
- 3. Manual control lever
- 4. Park/neutral position switch
- 5. Snap ring
- 6. Parking gear
- 7. Oil pan
- 8. Oil filter

- 9. O-ring
- 10. Detent spring
- 11. Oil temperature sensor
- 12. Valve body
- 13. O-ring
- 14. Snap ring
- 15. Solenoid valve harness

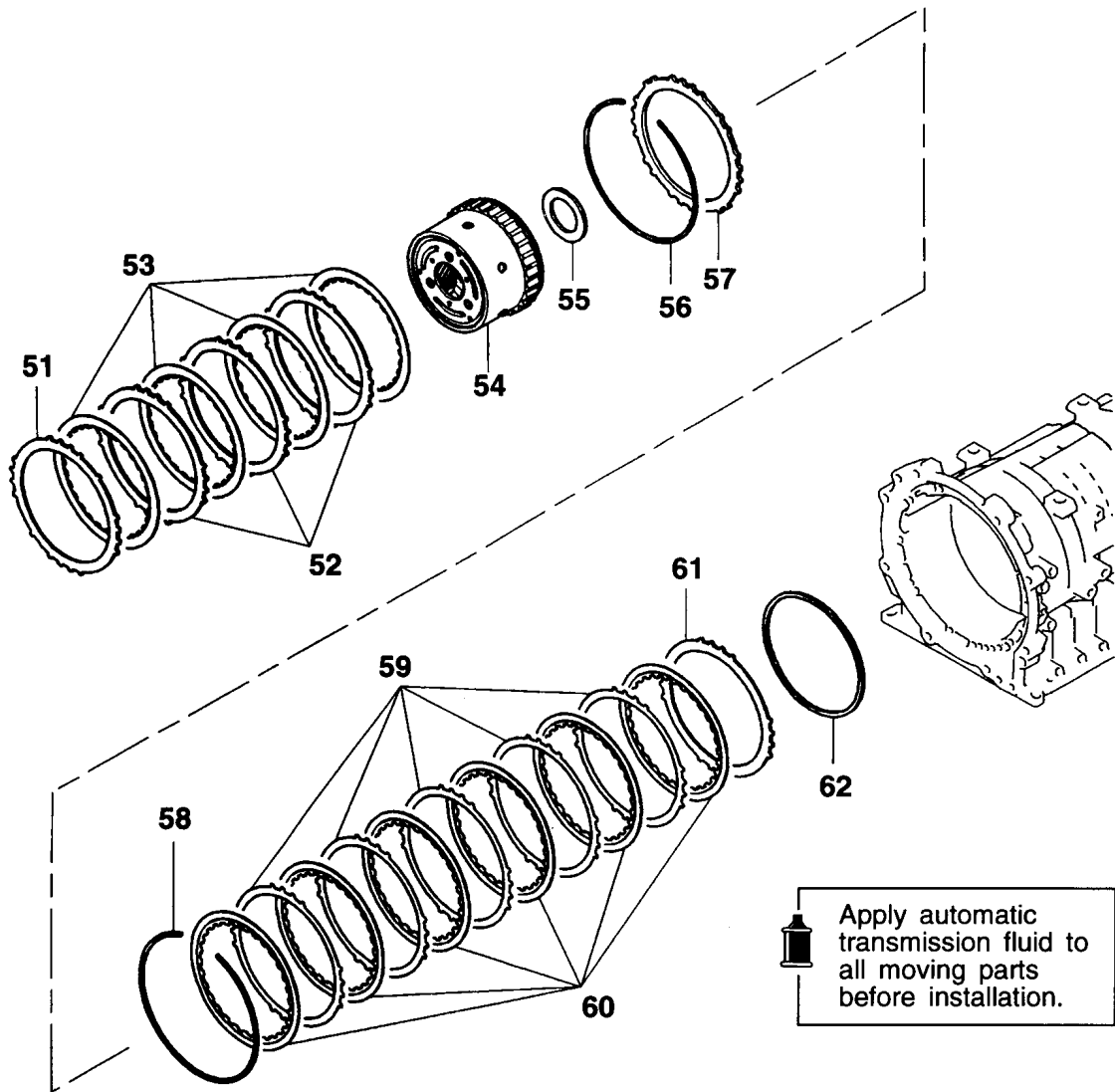


TRA1073



- 38. Converter housing
- 39. Oil pump
- 40. Oil pump gasket
- 41. Thrust race No.1
- 42. Thrust bearing No.2
- 43. Reverse and overdrive clutch
- 44. Thrust bearing No.3

- 45. Overdrive clutch hub
- 46. Thrust bearing No.4
- 47. Reverse sun gear
- 48. Snap ring
- 49. Second brake
- 50. Return spring



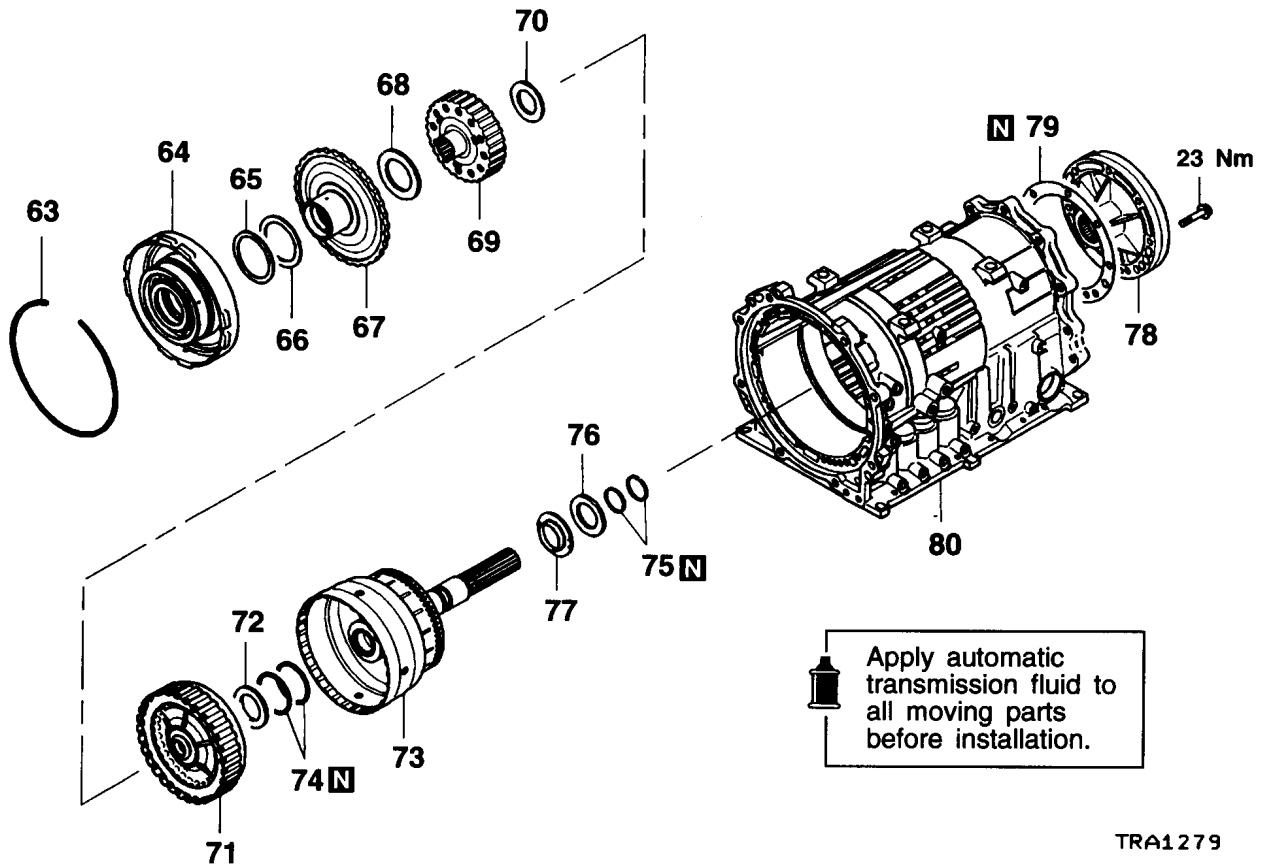
TRA1278

- 51. Pressure plate
- 52. Brake plate
- 53. Brake disc
- 54. Low/reverse annulus gear
- 55. Thrust bearing No.7
- 56. Snap ring

- 57. Reaction plate
- 58. Snap ring
- 59. Brake plate
- 60. Brake disc
- 61. Pressure plate
- 62. Wave spring

LOW AND REVERSE BRAKE

	For 6G72 engine	For 4M40 engine
Number of brake discs	5	6
Number of brake plates	4	5



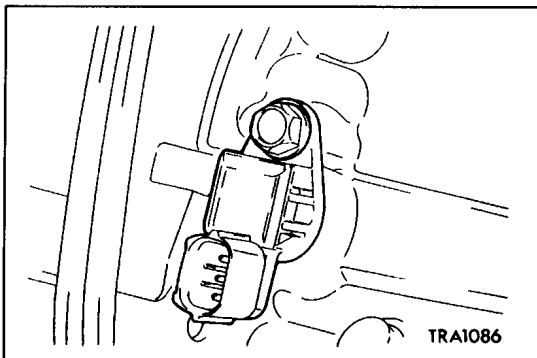
- 63. Snap ring
- 64. Center support
- 65. Thrust race No.8
- 66. Thrust bearing No.9
- 67. Output flange
- 68. Thrust bearing No.10
- 69. Underdrive clutch hub
- 70. Thrust bearing No.11
- 71. Underdrive clutch

- 72. Thrust bearing No.12
- 73. Output shaft
- 74. Seal ring
- 75. Seal ring
- 76. Thrust bearing No.13
- 77. Bearing retainer
- 78. Output shaft support
- 79. Output shaft support gasket
- 80. Transmission case

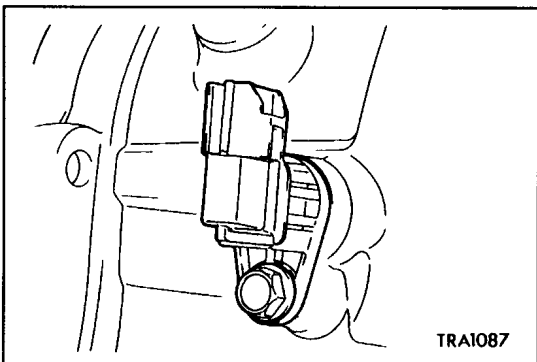
TRA1279

DISASSEMBLY**Caution**

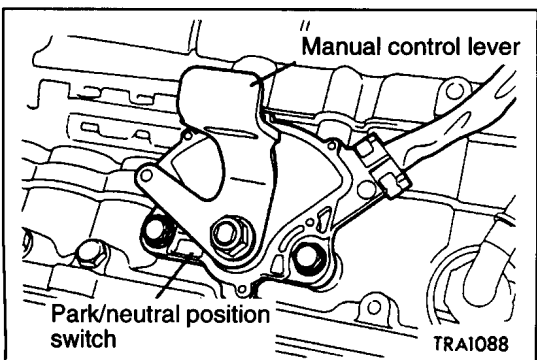
- Because the automatic transmission is manufactured from high-precision parts, sufficient care must be taken not to scratch or damage these parts during disassembly and reassembly.
- During the work, always use bare hands or vinyl gloves. Do not use cotton gloves. Use nylon cloth or paper towels when necessary. Do not use shop towel.
- Parts which have been disassembled should all be cleaned. Metal parts can be cleaned with normal detergent, but they should be dried completely using compressed air.
- Clutch discs, plastic thrust race and rubber parts should be cleaned with ATF automatic transmission fluid so that they do not become dirty.
- If the transmission body has been damaged, disassemble and clean the cooler system also.



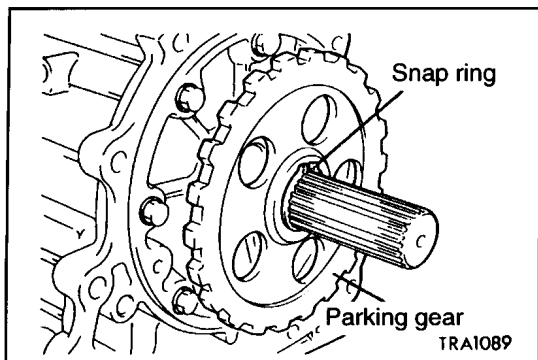
1. Remove the input shaft speed sensor.



2. Remove the output shaft speed sensor.



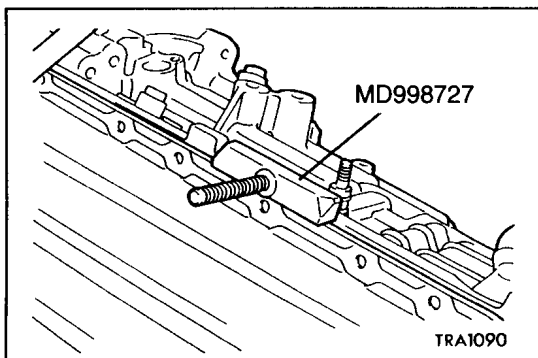
3. Remove the manual control lever, and then remove the park/neutral position switch.



4. Remove the snap ring, and remove the parking gear using a puller (corresponding load approximately 9,800 N).

NOTE

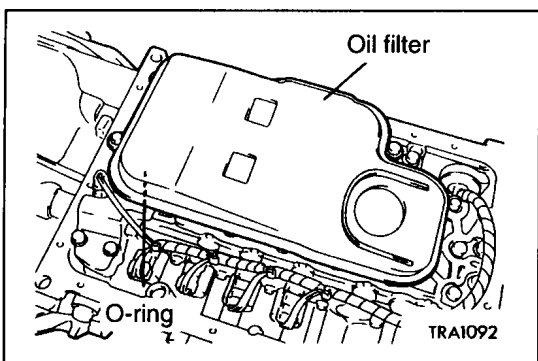
The parking gear may be removed without using a puller.



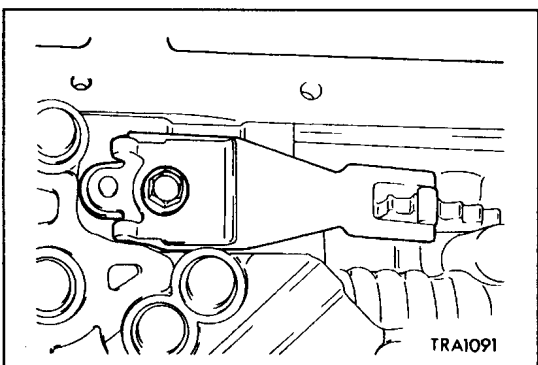
5. Remove the twenty oil pan mounting bolts and then remove the oil pan using the special tool.

Caution

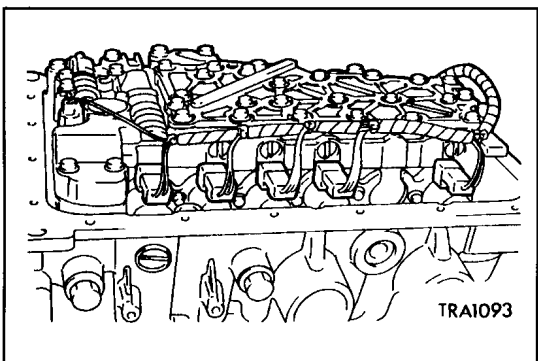
- Carefully hammer the special tool so that the oil pan mounting surface is not damaged.



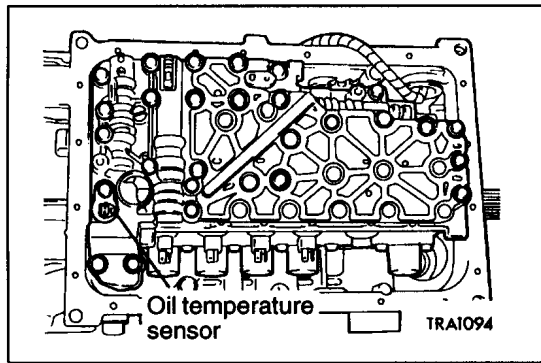
6. Remove the oil filter and O-ring.



7. Remove the detent spring.



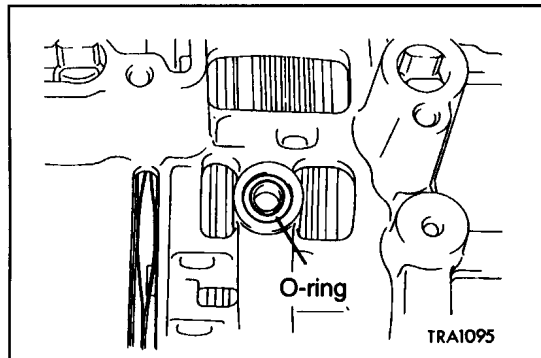
8. Disconnect the harness connectors of the valve body.



9. Remove the twenty valve body mounting bolts and then remove the valve body, O-ring and oil temperature sensor.

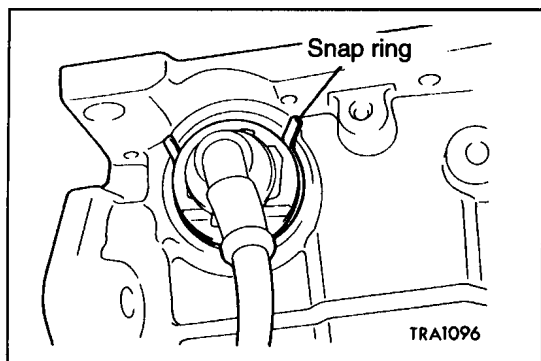
NOTE

The twenty valve body mounting bolts are plated bolts.

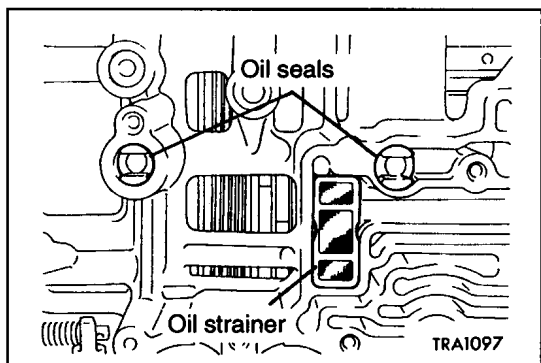


NOTE

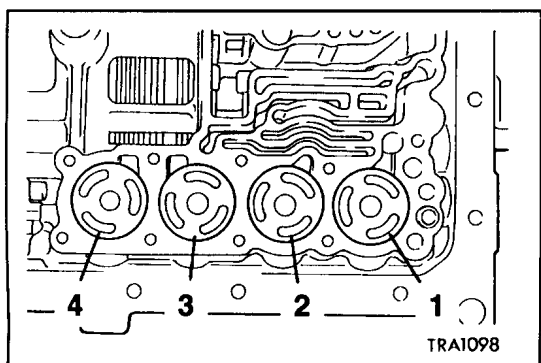
The O-ring is mounted on the transmission case side as shown in the illustration. However there may be cases when it will come off with the valve body.



10. Remove the snap ring and disconnect the solenoid valve harness.



11. Remove the oil strainer and two oil seals.

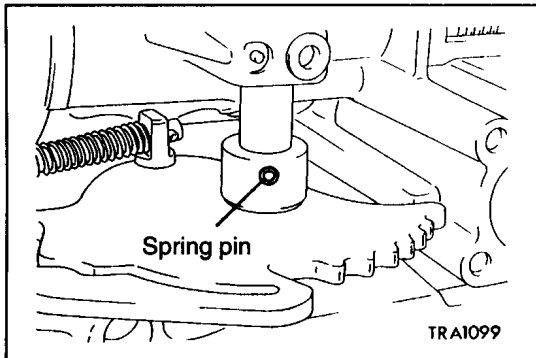


12. Remove each accumulator piston, seal ring and spring.

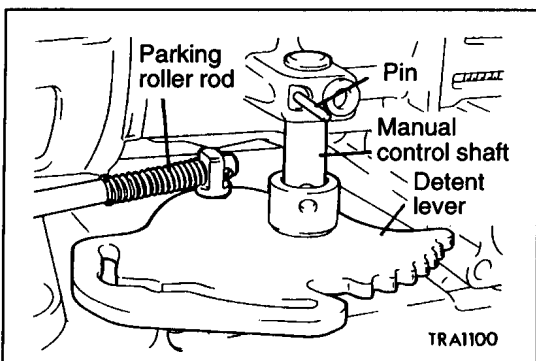
No.	Name
1	For overdrive clutch
2	For second brake
3	For low/reverse brake
4	For underdrive clutch

NOTE

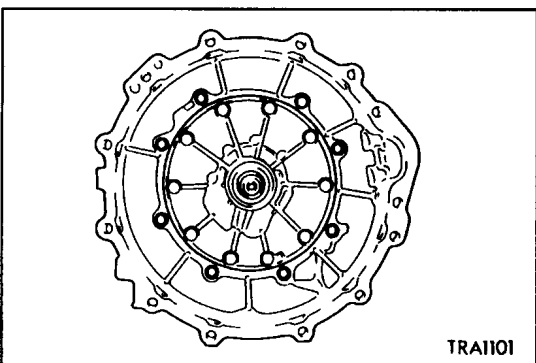
To make assembly easier, attach an identification tag on the removed accumulator piston.



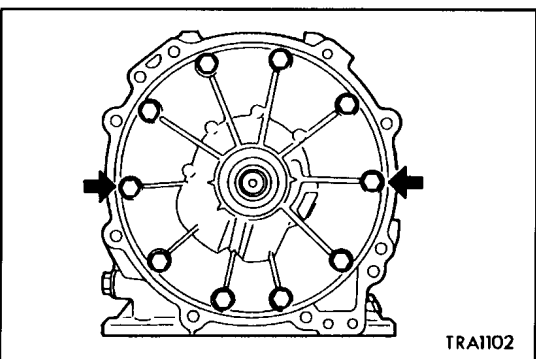
13. Remove the detent lever spring pin.



14. Remove the pin, and then remove the manual control shaft, two O-rings, detent lever and parking roller rod.

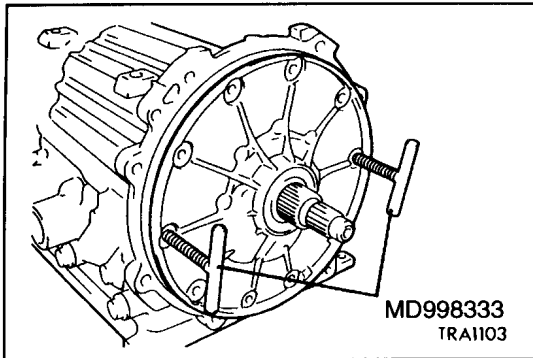


15. Remove the eight converter housing mounting bolts, and then converter housing.

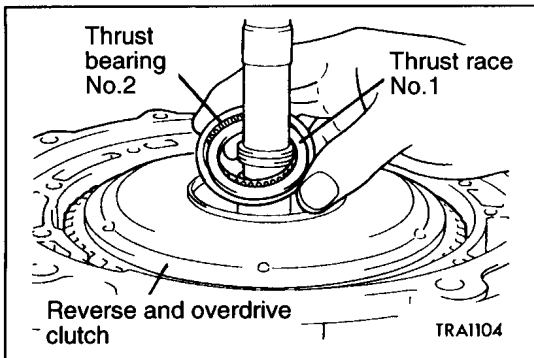


16. Remove the ten oil pump mounting bolts.

17. Install the special tool into the bolt hole shown in the illustration.



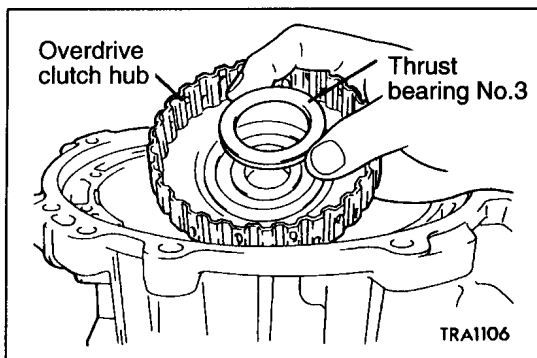
18. While screwing in the special tool evenly, remove the oil pump.
19. Remove the oil pump gasket.



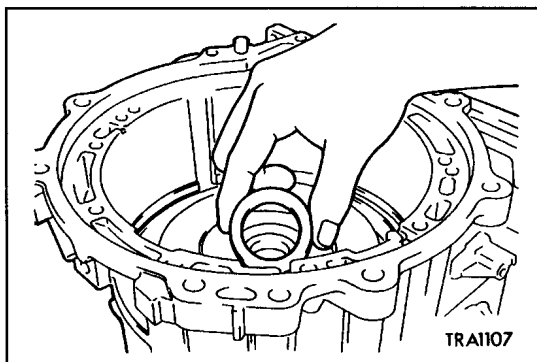
20. Remove the reverse and overdrive clutch, thrust race No.1 and thrust bearing No.2.

NOTE

The thrust race No.1 may be attached to the oil pump.



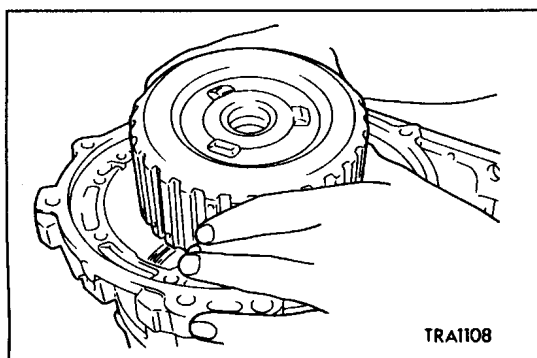
21. Remove the overdrive clutch hub and thrust bearing No.3.



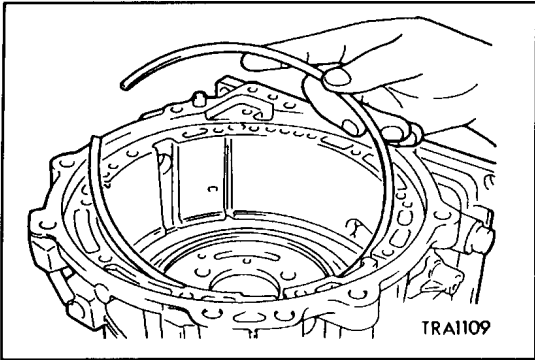
22. Remove the thrust bearing No.4.

NOTE

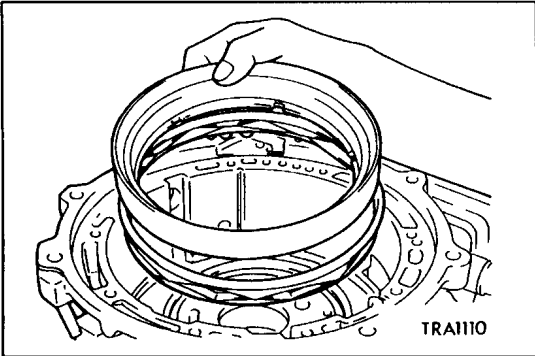
The thrust bearing No.4 may be attached to the overdrive clutch hub.



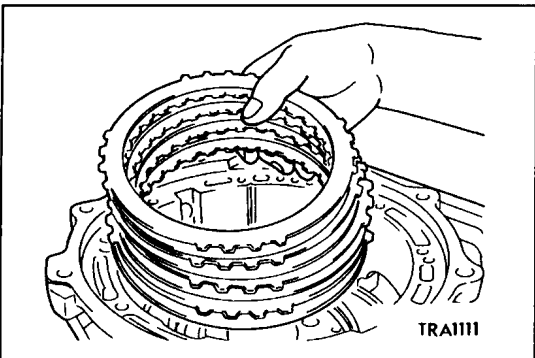
23. Remove the reverse sun gear.



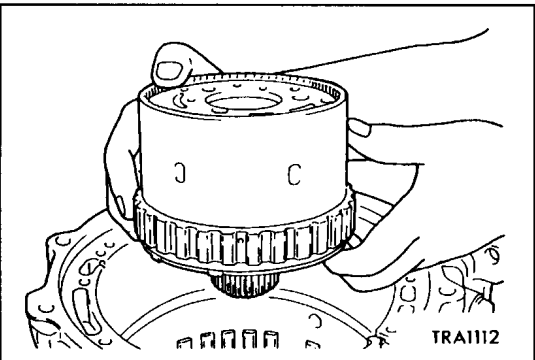
24. Remove the snap ring.



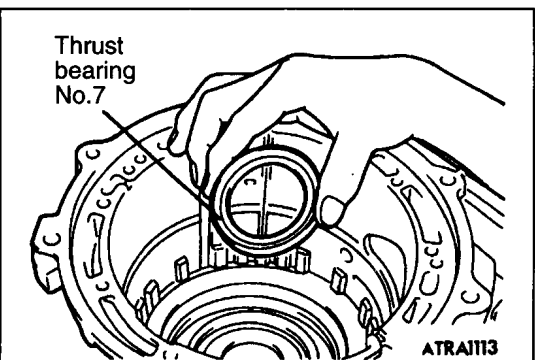
25. Remove the second brake and return spring.



26. Remove the pressure plates, brake plates and brake discs.



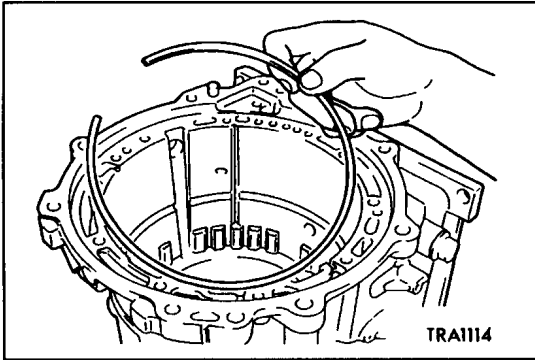
27. Remove the low/reverse annulus gear.



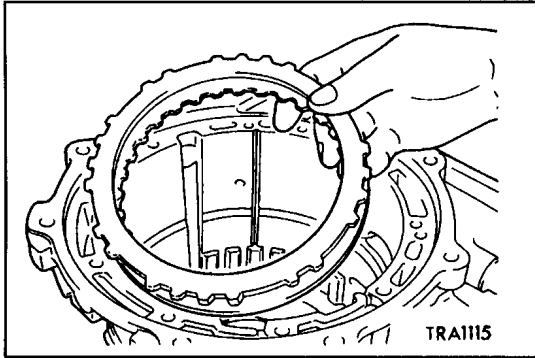
28. Remove the thrust bearing No.7.

NOTE

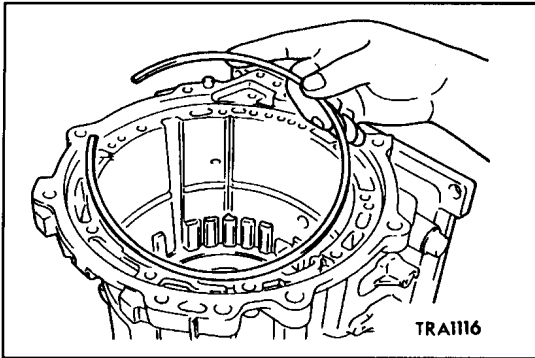
The thrust bearing No.7 may be attached to the low/reverse annulus gear.



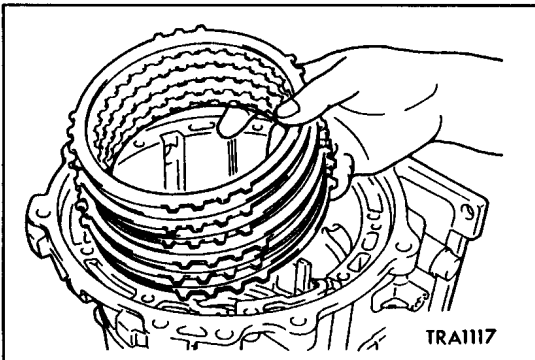
29. Remove the snap ring.



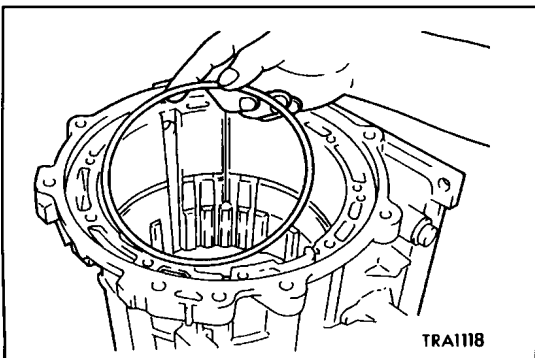
30. Remove the reaction plate and one brake disc.



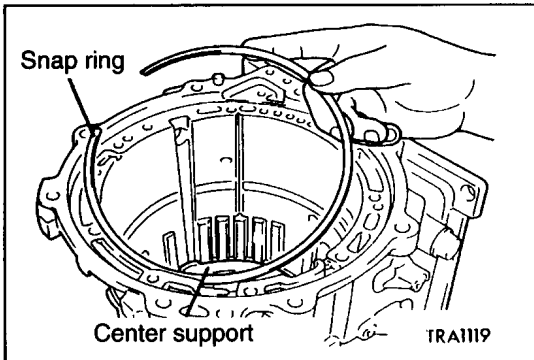
31. Remove the snap ring.



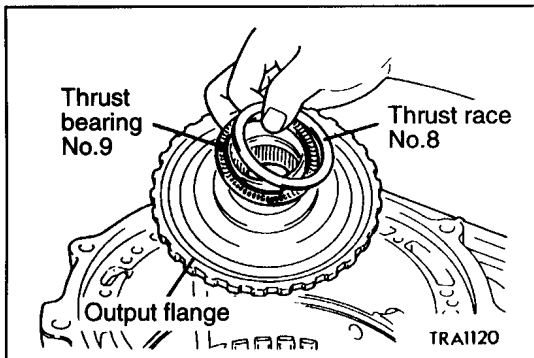
32. Remove the brake plates, brake discs, and pressure plate.



33. Remove the wave spring.



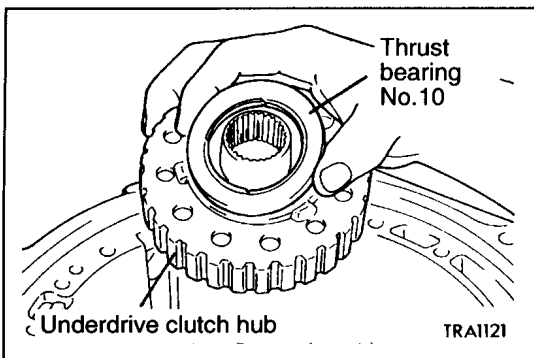
34. Remove the snap ring and center support.



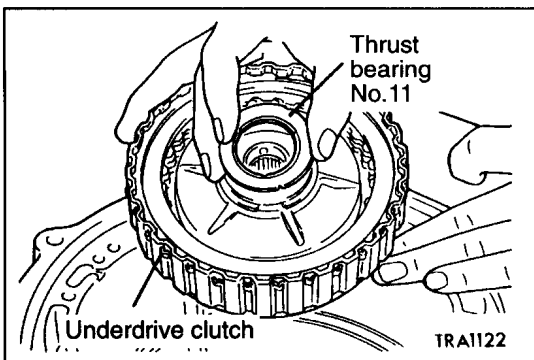
35. Remove the thrust race No.8, thrust bearing No.9 and output flange.

NOTE

The thrust race No.8 may be attached to the center support.



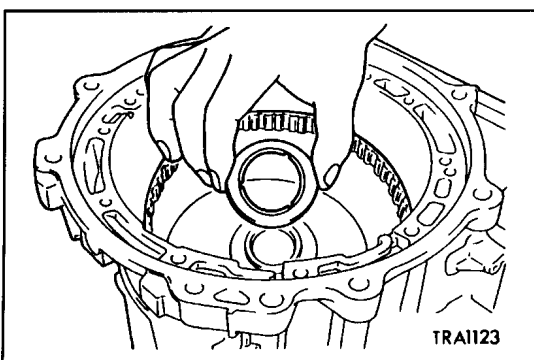
36. Remove the thrust bearing No.10 and underdrive clutch hub.



37. Remove the thrust bearing No.11 and underdrive clutch.

NOTE

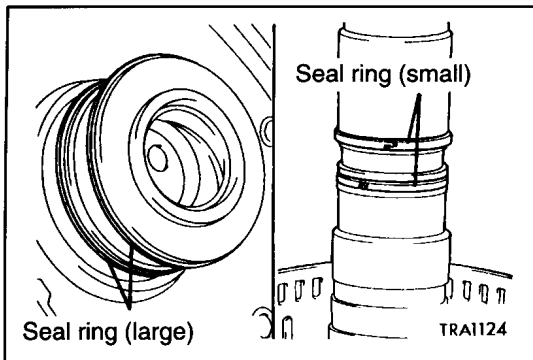
The thrust bearing No.11 may be attached to the underdrive clutch hub.



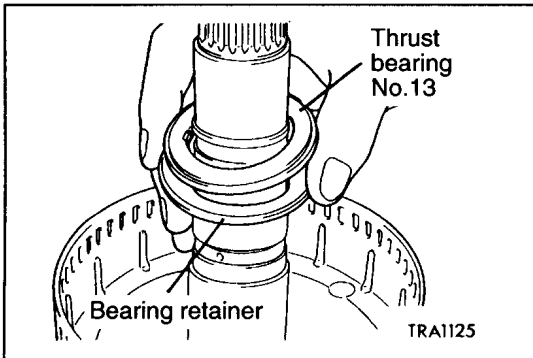
38. Remove the thrust bearing No.12 and output shaft.

NOTE

The thrust bearing No.12 may be attached to the underdrive clutch.



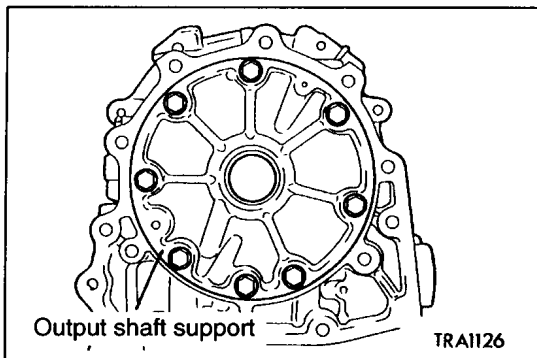
39. Remove the two large and two small seal rings from the output shaft.



40. Remove the thrust bearing No.13 and bearing retainer.

NOTE

The thrust bearing No.13 may be attached to the output shaft support.

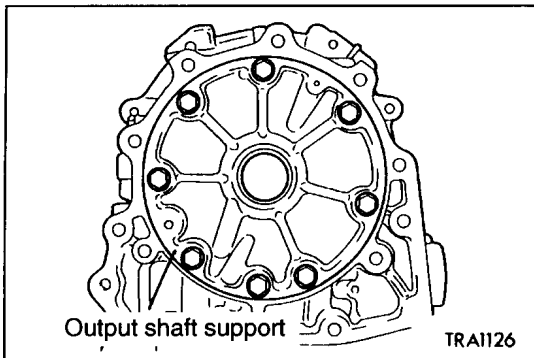


41. Remove the eight output shaft support mounting bolts, and then remove the output shaft support and gasket.

REASSEMBLY

Caution

- Never reuse the gasket, O-ring, oil seal, etc. Always replace with a new one when reassembling.
- Never use grease other than blue petrolatum jelly and white Vaseline.
- Apply ATF to friction components, rotating parts, and sliding parts before installation. Immerse a new clutch disc or brake disc in ATF for at least two hours before assembling them.
- Never apply sealant or adhesive to gaskets.
- When replacing a bushing, replace the assembly which it belongs to.
- During the work, always use bare hands or vinyl gloves. Do not use cotton gloves. Use nylon cloth or paper towels when necessary. Do not use shop towel.
- Change the oil in the cooler system.

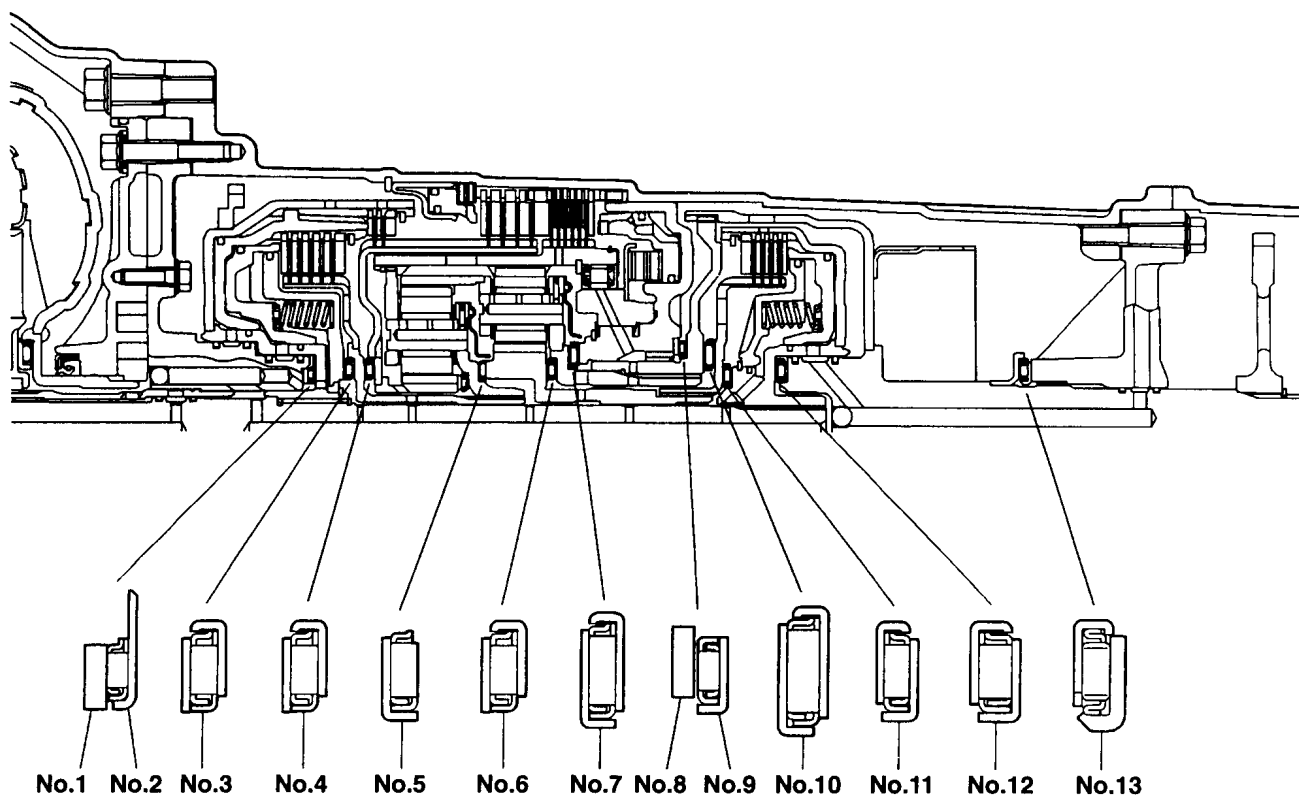


1. Install a new gasket and output shaft support.

Caution

- Never reuse a gasket.
2. Tighten the eight output shaft support mounting bolts to the specified torque.

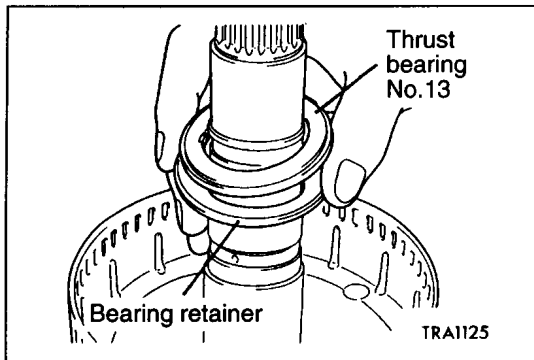
Identification of thrust bearings and thrust races



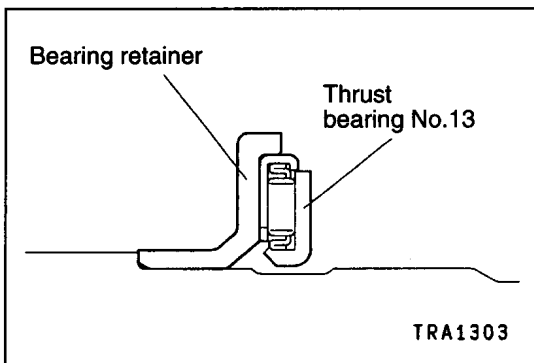
TRA1105

Symbol	OD mm	ID mm	Thickness mm	Part No.
No.1	48.9	37	1.4	MD723063
			1.6	MD707267
			1.8	MD723064
			2.0	MD707268
			2.2	MD723065
			2.4	MD724358
			2.6	MD754798
No.2	59	37	2.8	MR305718
No.3	57	38.5	4.12	MD758556
No.4	57	38.5	4.12	MD758556
No.5	54.4	38.5	3.3	MD761683
No.6	57	38.5	4.12	MD758556
No.7	70	48.8	4.0	MR222902

Symbol	OD mm	ID mm	Thickness mm	Part No.
No.8	73	60	1.6	MR276705
			1.8	MR276706
			2.0	MR276707
			2.2	MR276708
			2.4	MR276709
No.9	71.4	57	2.78	MR276587
No.10	71.9	48	4.6	MR263281
No.11	54.1	34	3.83	MR276588
No.12	57	38.5	4.62	MR222936
No.13	58	37.5	4.8	MD758555

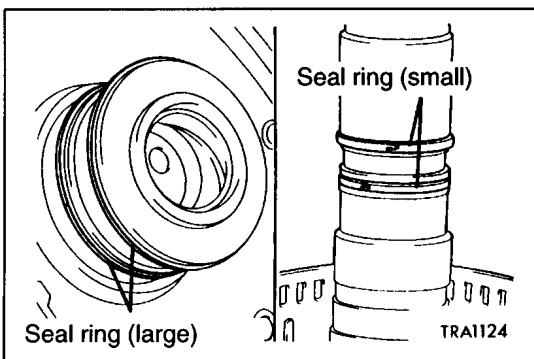


3. Install the bearing retainer and thrust bearing No.13 onto the output shaft.

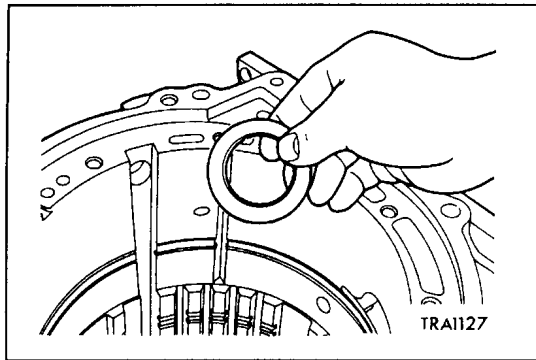


Caution

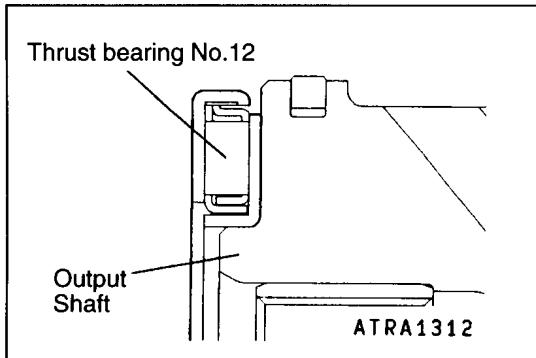
- Take care not to mistake the thrust bearing mounting direction.



4. Install new seal rings (two large pieces and two small pieces) onto the output shaft.
5. Insert the output shaft into the output shaft support.

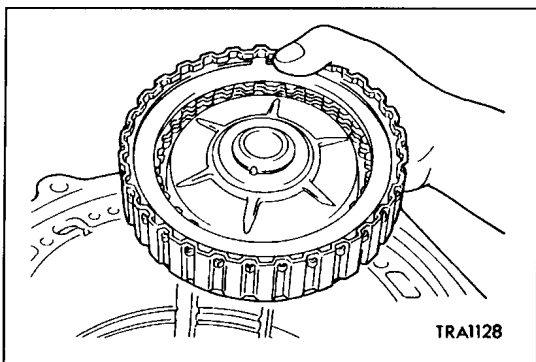


6. Apply Vaseline or petrolatum jelly on the thrust bearing No.12, and then install on the front end of the output shaft.

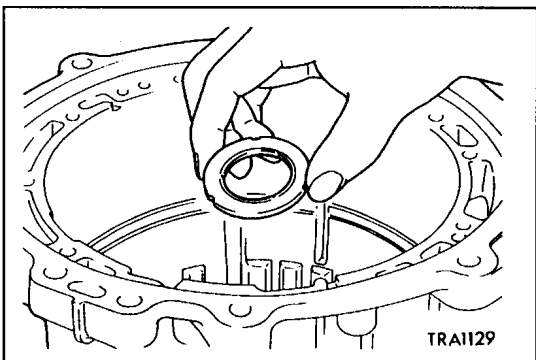


Caution

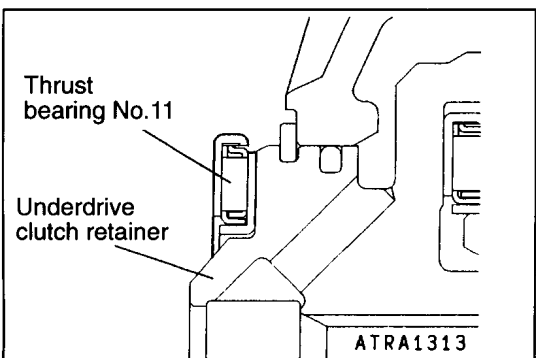
- Take care not to mistake the thrust bearing No.12 mounting direction.



7. Install the underdrive clutch.

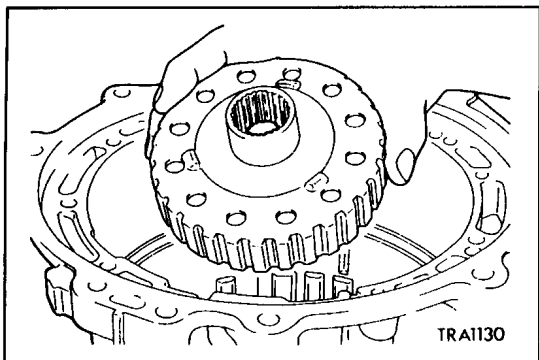


8. Apply Vaseline or petrolatum jelly on the thrust bearing No.11, and then install on the front end of the underdrive clutch retainer.

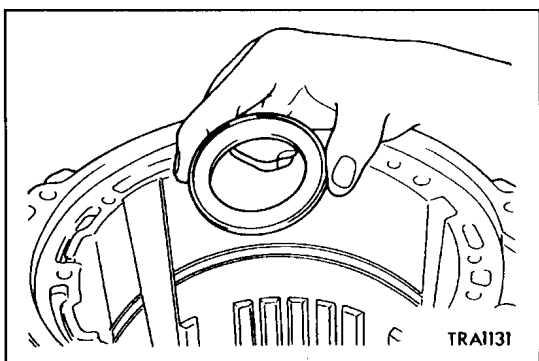


Caution

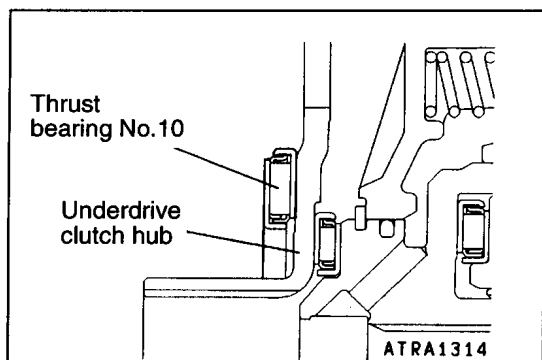
- Take care not to mistake the thrust bearing No.11 mounting direction.



9. Install the underdrive clutch hub.

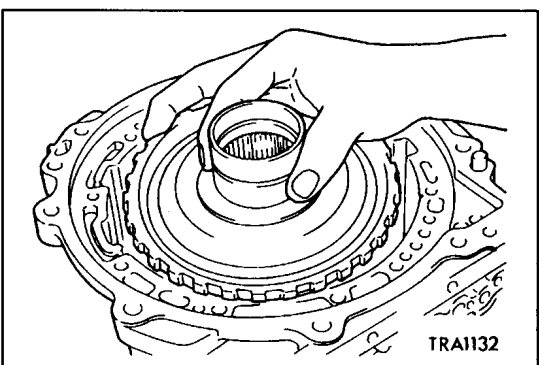


10. Apply Vaseline or petrolatum jelly on the thrust bearing No.10, and then install on the underdrive clutch hub.

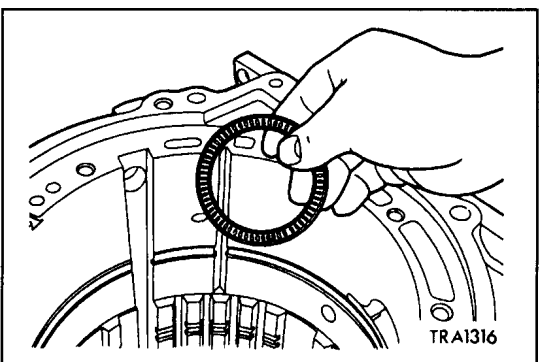


Caution

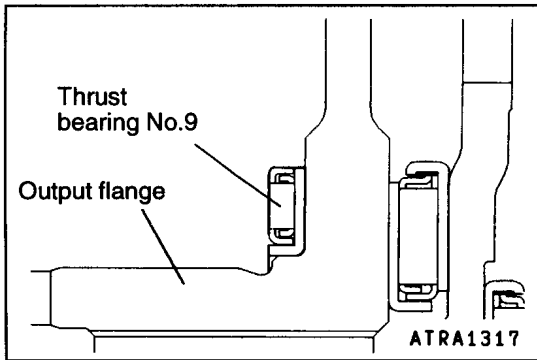
- Take care not to mistake the thrust bearing No.10 mounting direction.



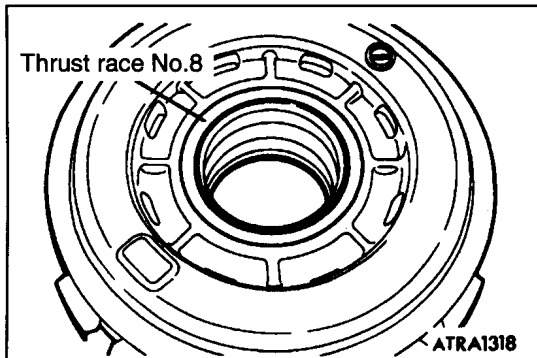
11. Install the output flange.



12. Apply Vaseline or petrolatum jelly on the thrust bearing No.9, and then install on the output flange.

**Caution**

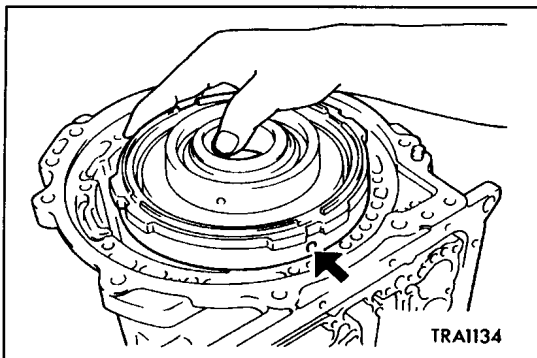
- Take care not to mistake the thrust bearing No.9 mounting direction.



13. Apply Vaseline or blue petrolatum jelly on the thrust race No.8 being used, and then install on the rear side of the center support.

Caution

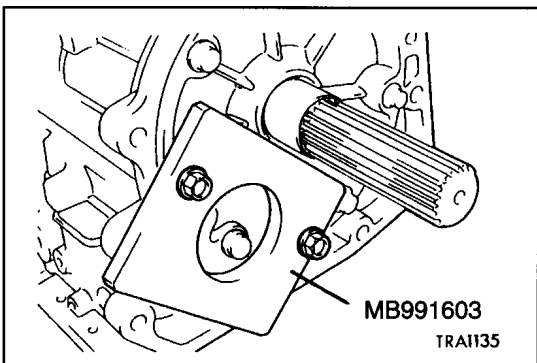
- Measure and record the thickness of the thrust race No.8 to be assembled.



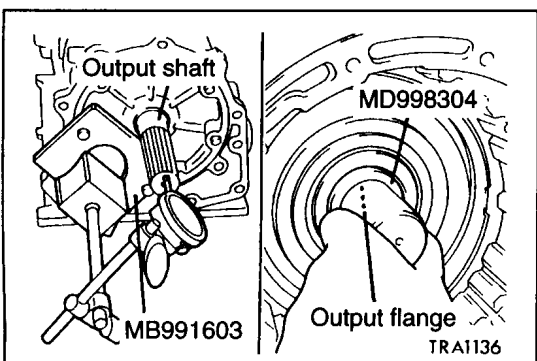
14. Install the center support.

Caution

- Install the center support so that the oil holes shown in the illustration face the lower side of the transmission case.
- Make sure that the thrust race No.8 attached to the rear side of the center support does not fall off.



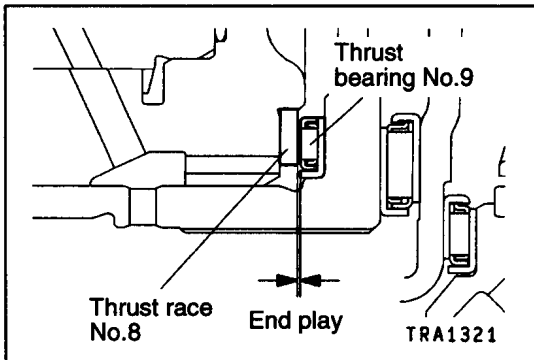
15. Remove the two output shaft support mounting bolts.
16. Using the two removed bolts, install the special tool to the specified torque.



17. Select the thrust race No.8 with the following procedure:
 - (1) Fix a dial gauge to the special tool.
 - (2) Alternately press in the output shaft and output flange, and measure the end play of the output shaft.

NOTE

- (1) When pressing in the output shaft, make sure that the center support does not move.
- (2) When pressing in the output flange, use the special tool.



- (3) Replace the thrust race No.8 installed in step 13 with a suitable one which can bring the end play of the output shaft to the standard value. Then, reassemble.

NOTE

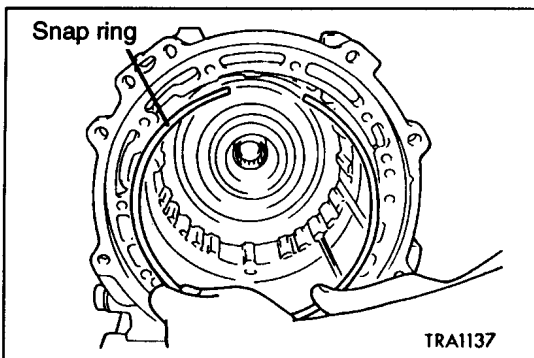
Refer to the thickness recorded in step 13.

Standard value: 0.25 – 0.55 mm

- (4) Measure the end play again, and confirm that it is within the standard value.

NOTE

Carry this step out with the special tool and dial gauge installed.



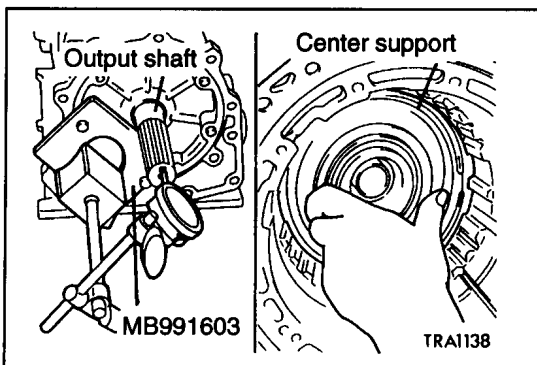
18. Using the following steps, select a suitable snap ring for fixing the center support.

- (1) Install the snap ring which has been used for fixing the center support.

- (2) Alternately press in the output shaft and center support, and measure the end play of the center support.

NOTE

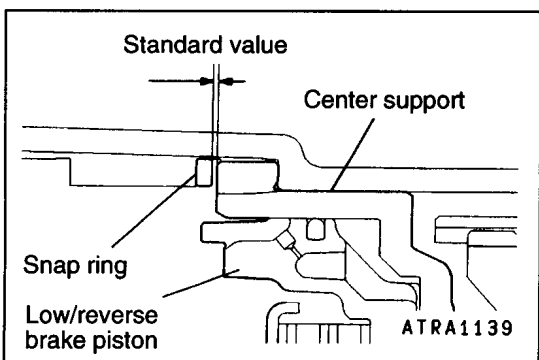
Be sure to press the output shaft in fully until the center support contacts the snap ring.

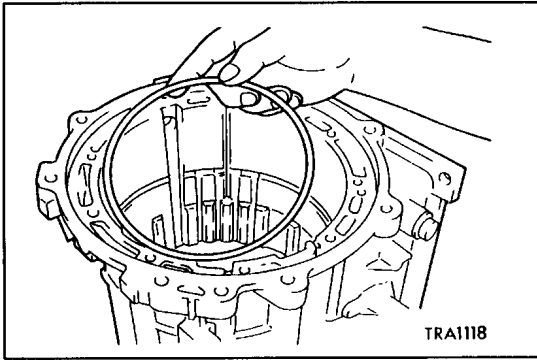


- (3) Replace the snap ring for fixing the center support installed in step 18 (1) with a suitable one so that the end play of the center support is at the standard value. Then, reassemble.

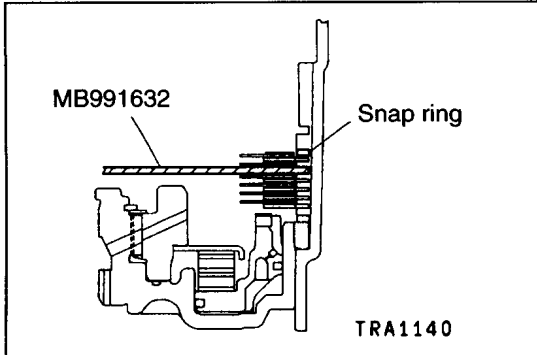
Standard value: 0 – 0.16 mm

- (4) Measure the end play again, and confirm that it is within the standard value.



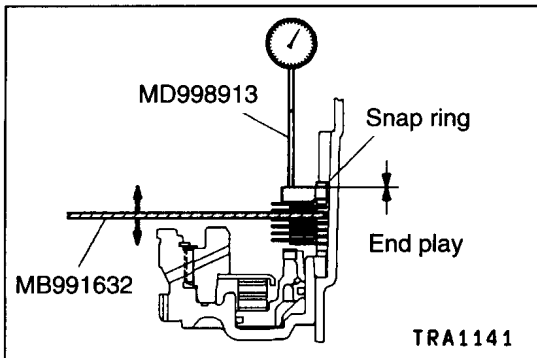


19. Using the following steps, select a snap ring for adjusting the brake reaction plate end play and second brake end play, and a pressure plate for adjusting the low/reverse brake end play.
- (1) Install the wave spring onto the low/reverse brake piston.



- (2) Install the special tool in the position shown in the illustration instead of the pressure plate for the low/reverse brake. Install the brake discs, brake plates and snap ring.

	For 6G72 engine	For 6G74 engine
No. of brake discs	5	6
No. of brake plates	4	5



- (3) Install the reaction plate and snap ring that was used.

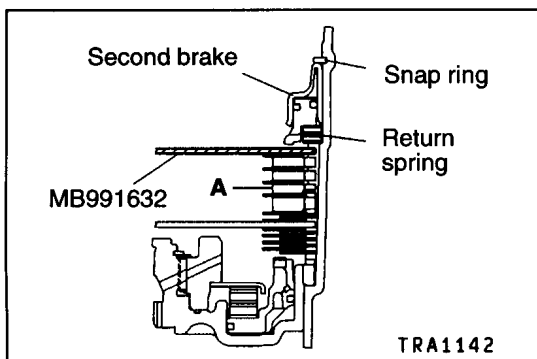
Caution

- Take care to the assembly direction of the reaction plate.

- (4) Install a dial gauge onto special tool (MD998913) so that the tool end contacts the brake reaction plate. Measure the end play by moving special tool (MB991632).
- (5) Replace the snap ring installed in step 19 (3) with a suitable one so that the end play may fall within the standard value. Then, reassemble.

Standard value: 0 – 0.16 mm

- (6) Measure the end play again, and confirm that it is within the standard value.

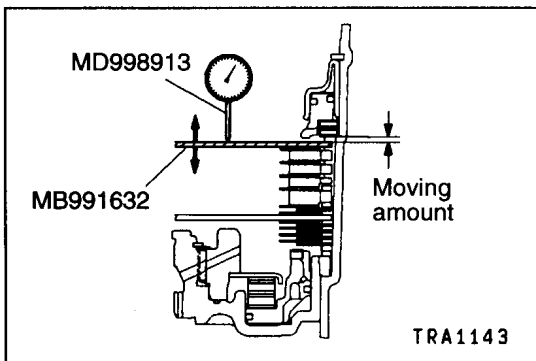


- (7) Next, install the special tool instead of the pressure plate for the second brake. Install the four brake discs and three brake plates.

Caution

- Take care to the shape and assembly direction of the brake plates installed at section "A" shown in the illustration.

- (8) Install the return spring, second brake and snap ring.



- (9) Install a dial gauge onto special tool (MD998913) so that the end contacts the special tool (MB991632). Move special tool (MB991632) and measure the moving amount. Select a pressure plate with a thickness that corresponds to the measured moving amount from the following table.

End play standard value (reference):
1.49 – 1.95 mm

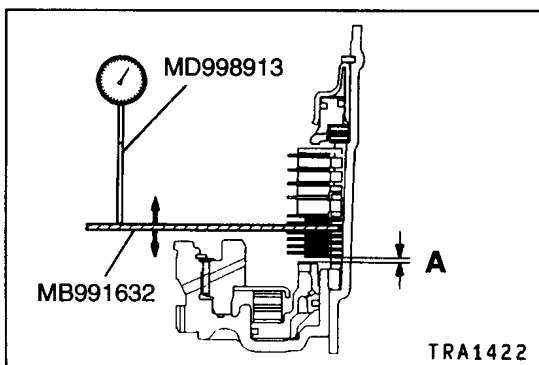
Moving amount mm	Pressure plate		
	Thickness mm	ID Symbol	Part No.
1.2 or more – less than 1.4	1.6	F	MR336390
1.4 or more – less than 1.6	1.8	E	MR336391
1.6 or more – less than 1.8	2.0	D	MR336392
1.8 or more – less than 2.0	2.2	C	MR336393
2.0 or more – less than 2.2	2.4	B	MR336394
2.2 or more – less than 2.4	2.6	A	MR336395
2.4 or more – less than 2.6	2.8	0	MR336396
2.6 or more – less than 2.8	3.0	1	MR336397

- (10) Remove the snap ring, second brake, return spring and special tool installed in step (8).

- (11) Install the pressure plate selected in step (9), and install the return spring, second brake and snap ring again.

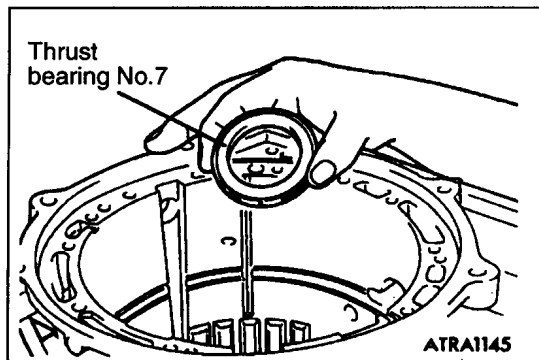
- (12) Install a dial gauge onto special tool (MD998913) so that the end contacts the special tool (MB991632). Move special tool (MB991632) and measure the moving amount. Select a pressure plate with a thickness that corresponds to the measured moving amount from the following table.

End play standard value (reference):
1.35 – 1.81 mm <for 6G72 engine>
1.65 – 2.11 mm <for 4M40 engine>

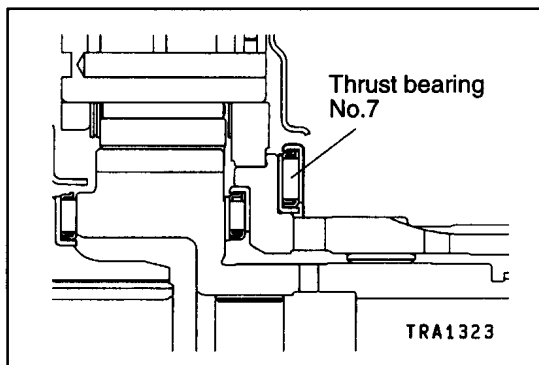


Moving amount mm		Pressure plate		
For 6G72 engine	For 4M40 engine	Thickness mm	ID symbol	Part No.
1.2 or more – less than 1.4	1.5 or more – less than 1.7	1.8	E	MD759425
1.4 or more – less than 1.6	1.7 or more – less than 1.9	2.0	D	MD759426
1.6 or more – less than 1.8	1.9 or more – less than 2.1	2.2	C	MD759427
1.8 or more – less than 2.0	2.1 or more – less than 2.3	2.4	B	MD759428
2.0 or more – less than 2.2	2.3 or more – less than 2.5	2.6	A	MD759429
2.2 or more – less than 2.4	2.5 or more – less than 2.7	2.8	0	MD759430
2.4 or more – less than 2.6	2.7 or more – less than 2.9	3.0	1	MD759431

(13) Remove the parts installed in steps 19 (1) to (12).

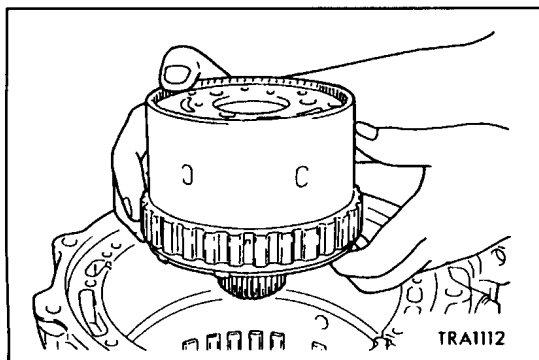


20. Apply Vaseline or petrolatum jelly on the thrust bearing No.7, and then install the bearing on the rear side of the low/reverse annulus gear.



Caution

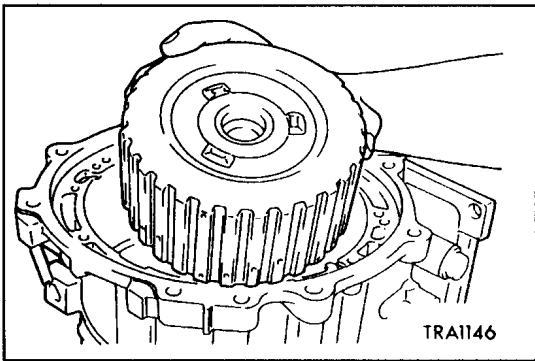
- Take care not to mistake the thrust bearing No.7 mounting direction.



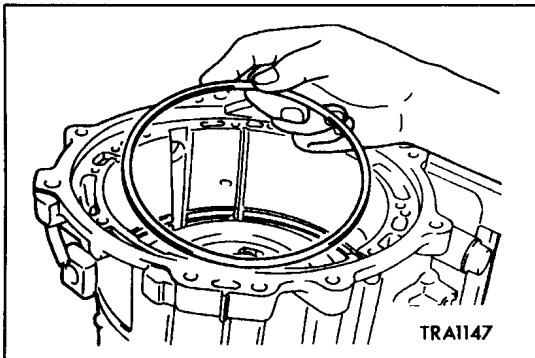
21. Install the low/reverse annulus gear.

Caution

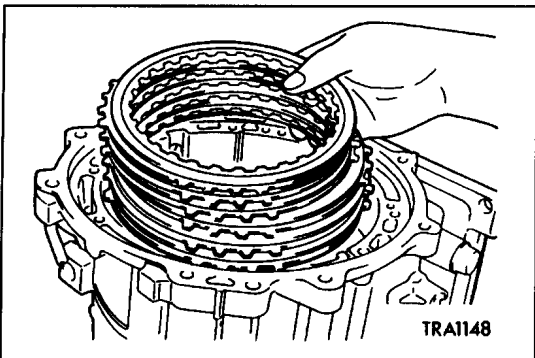
- Make sure that the thrust bearing No.7 attached to the rear side of the low/reverse annulus gear does not fall off.



22. Install the reverse sun gear.

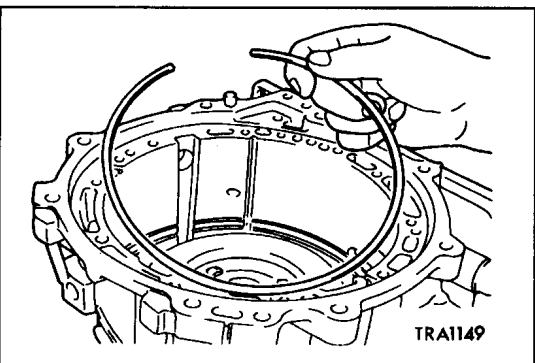


23. Install the wave spring to the low/reverse brake piston.

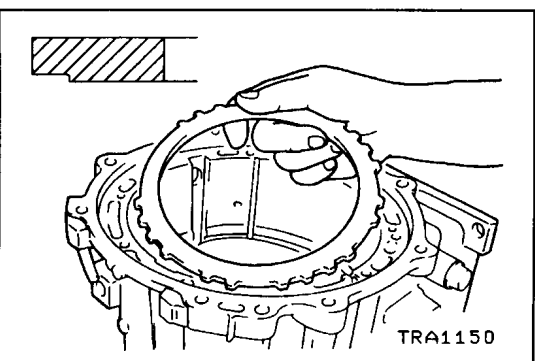


24. Install the pressure plate selected in step 19 (12), brake discs and brake plates.

	For 6G72 engine	For 4M40 engine
No. of brake discs	5	6
No. of brake plates	4	5



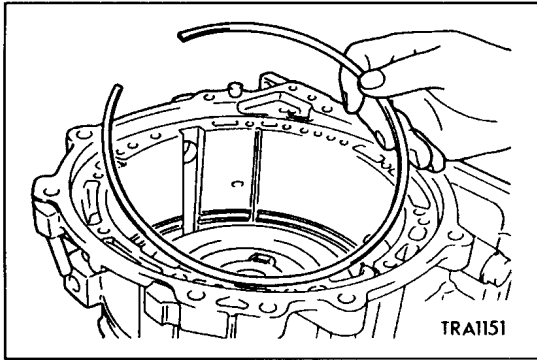
25. Install the snap ring.



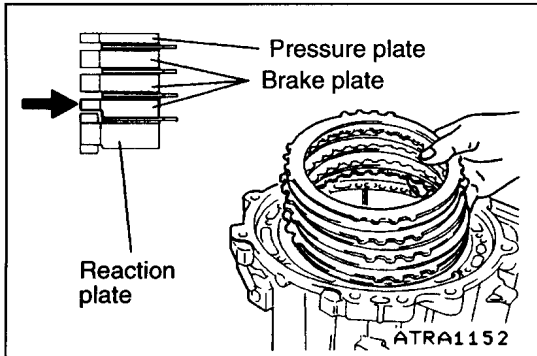
26. Install the reaction plate.

Caution

- Take care not to mistake the reaction plate installation direction.



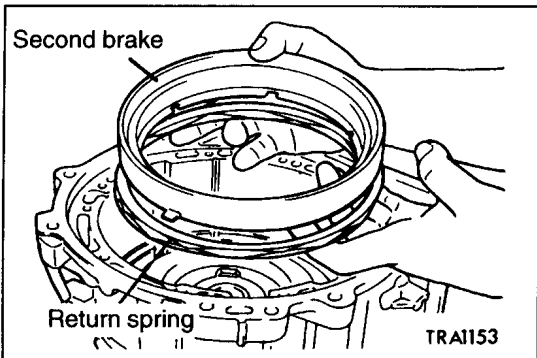
27. Install the snap ring selected in step 19 (5).



28. Install the brake discs, brake plates and pressure plate selected in step 19 (9).

Caution

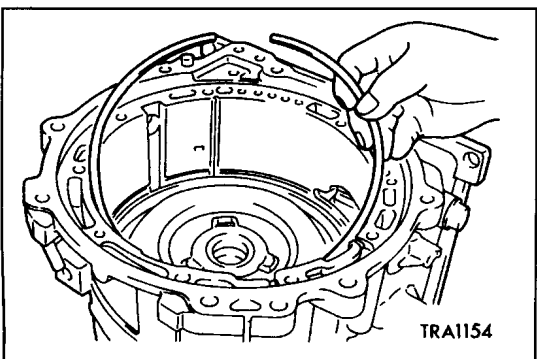
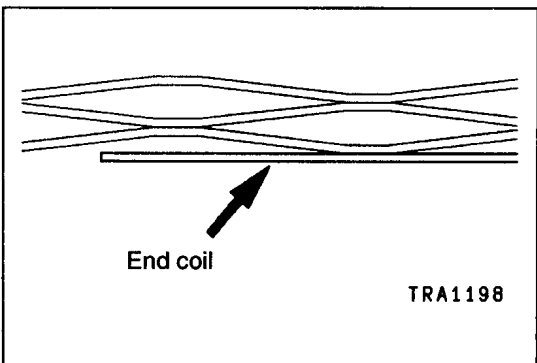
- Take care not to mistake the brake plate (reaction plate side) installation direction.



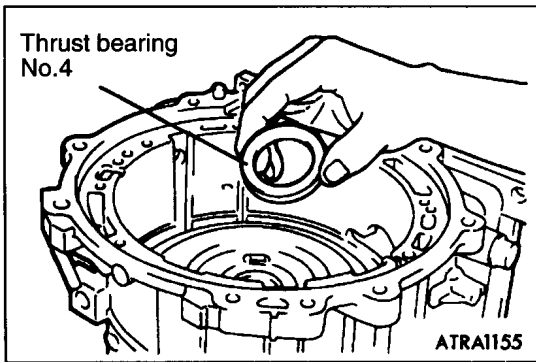
29. Install the return spring and second brake.

Caution

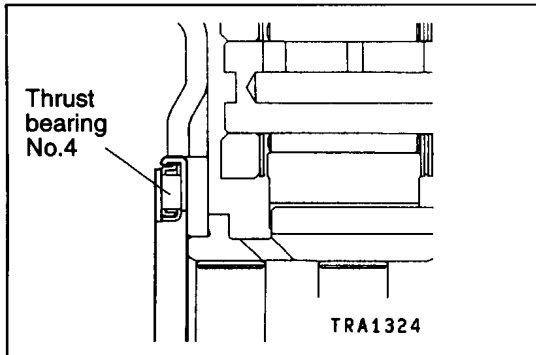
- Install the return spring so that the end coil side faces the back of the transmission.



30. Install the snap ring.

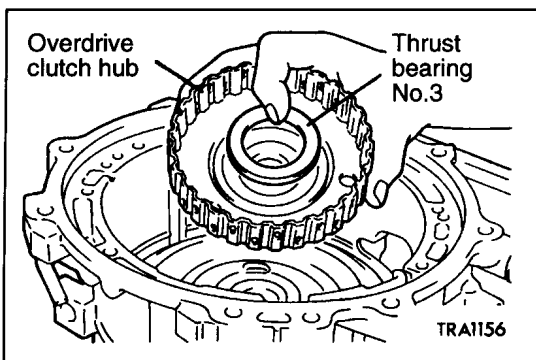


31. Apply Vaseline or petrolatum jelly on the thrust bearing No.4, and then install on the reverse sun gear.

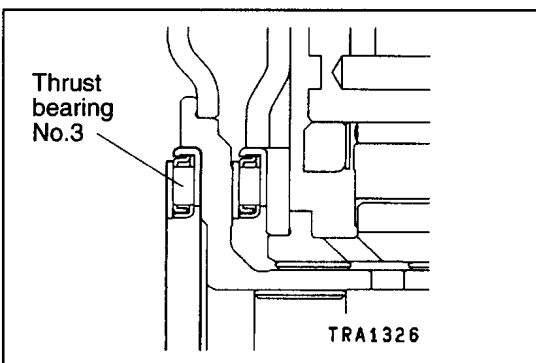


Caution

- Take care not to mistake the thrust bearing No.4 installation direction.

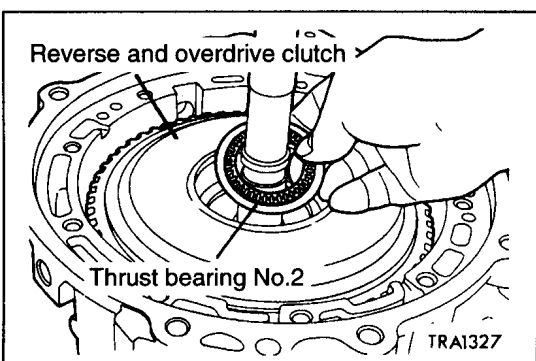


32. Apply Vaseline or petrolatum jelly on the thrust bearing No.3, and then install on the overdrive clutch hub.
33. Install the overdrive clutch hub.

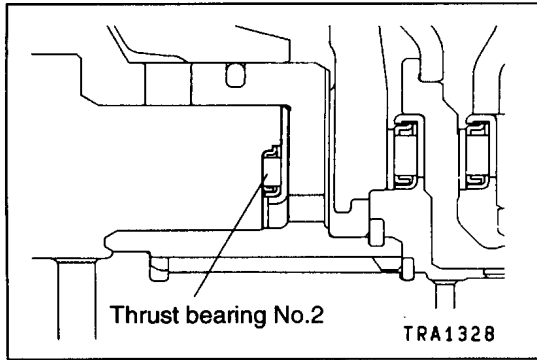


Caution

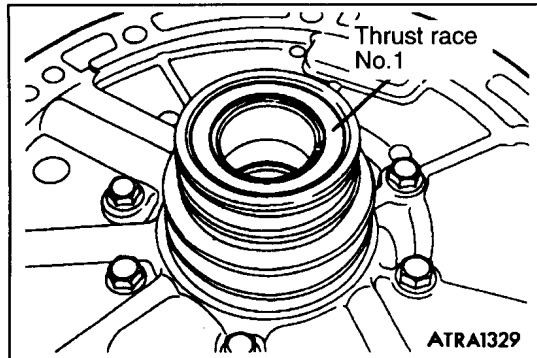
- Take care not to mistake the thrust bearing No.3 mounting direction.



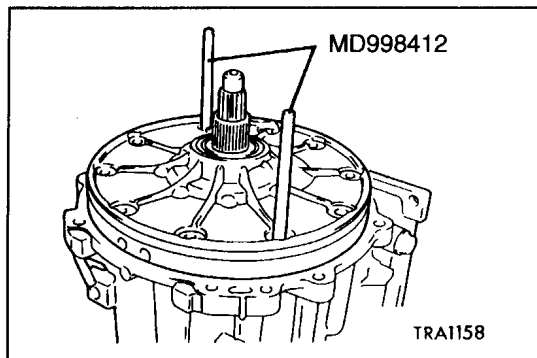
34. Install the reverse and overdrive clutch.
35. Apply Vaseline or petrolatum jelly on the thrust bearing No.2, and then install on the reverse and overdrive clutch.

**Caution**

- Take care not to mistake the thrust bearing No.2 mounting direction.



36. Apply Vaseline or petrolatum jelly on the thrust race No.1, and then install on the oil pump.

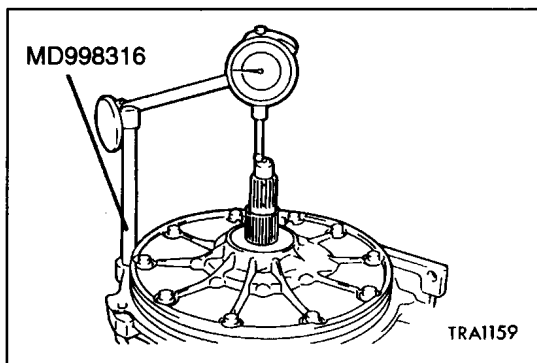


37. Install the special tool at the position shown in the illustration, and using this as a guide, install the oil pump and gasket.

Caution

- Never reuse the gasket.

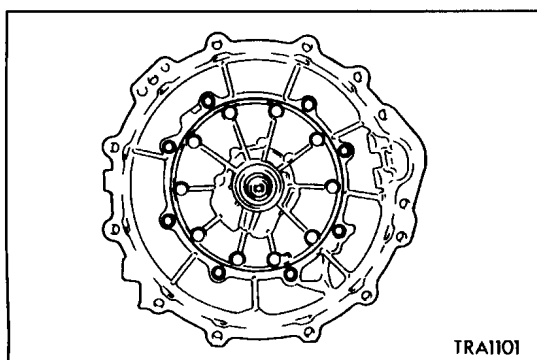
38. Tighten the ten oil pump mounting bolts to the specified torque.



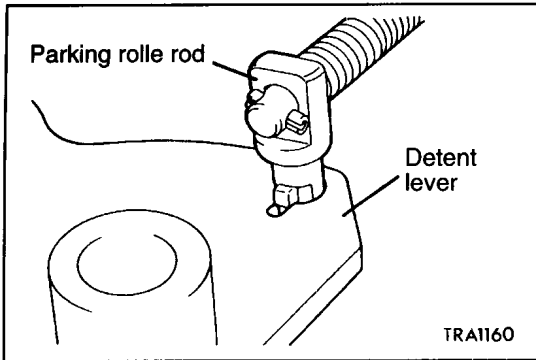
39. Using the special tool, set a dial gauge as shown in the illustration. Measure the end play of the input shaft, and replace the thrust race installed in step 36 with a suitable one so that the end play may meet the standard value. Then, reassemble.

Standard value: 0.25 – 0.81 mm

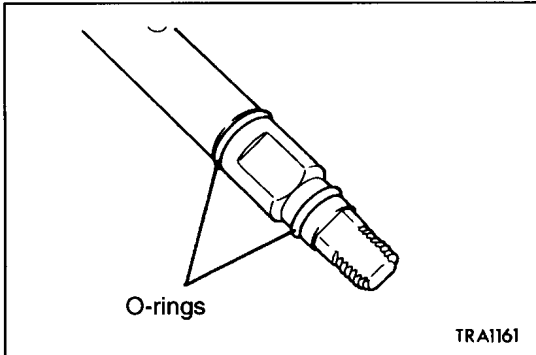
40. Measure the end play again, and confirm that it is within the standard value.



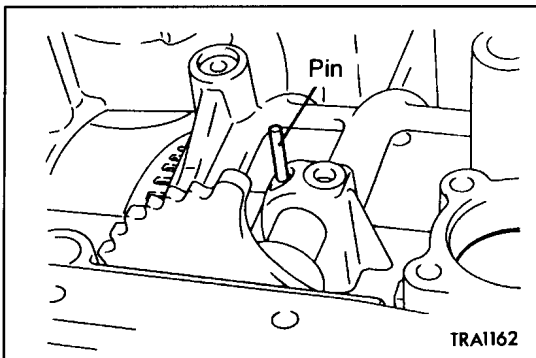
41. Install the converter housing.
42. Tighten the eight converter housing mounting bolts to the specified torque.



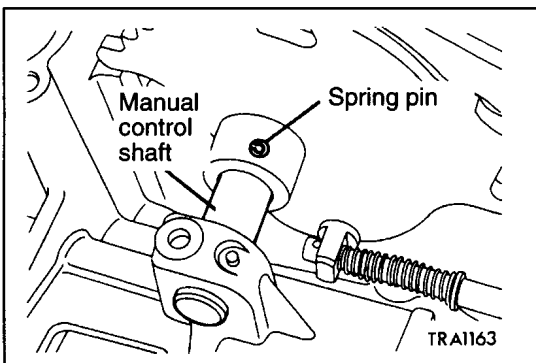
43. Install the parking roller rod to the detent lever.



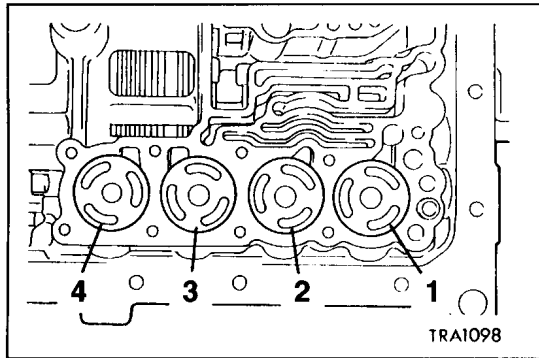
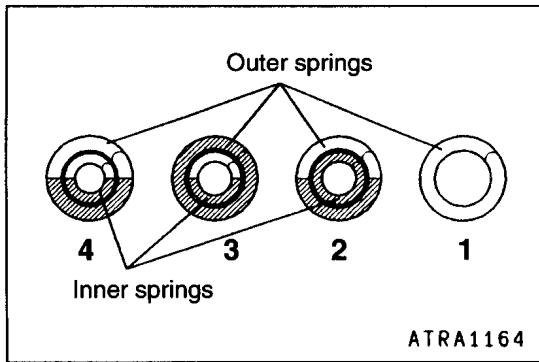
44. Install two new O-rings to the manual control shaft, and assemble onto the transmission case together with the detent lever and parking roller rod.



45. Install the pin.



46. Hammer in the spring pin so that its slit is perpendicular to the axial direction of the manual control shaft.

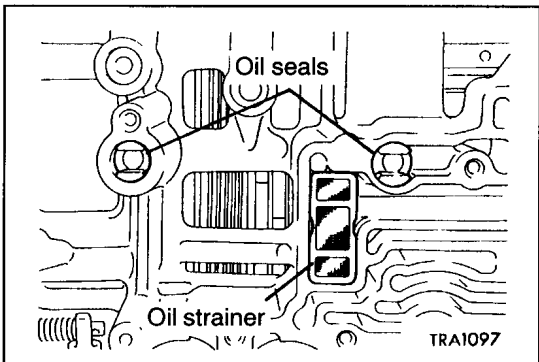


- 47. Install a new seal ring onto each accumulator piston.
- 48. Install each accumulator piston and spring.

NOTE

- (1) Install the accumulator pistons to the original positions following the identification tags attached when they were removed.
- (2) The springs are identified by paint application position as shown below. Assemble following this table.

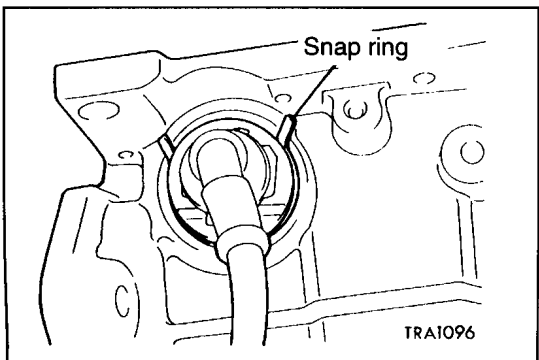
No.	Name	Identification paint application position	
1	For overdrive clutch	None	
2	For second brake	Inner	Applied on all surfaces including both ends
		Outer	Applied on half of surface including both ends
3	For low/reverse brake	Inner	Applied on half of surface including both ends
		Outer	Applied on entire surface of one side
4	For underdrive clutch	Inner	Applied on half of surface including both ends
		Outer	Applied on half of surface including both ends



- 49. Install the oil strainer and two new oil seals. Install the oil seals so that the notched section is oriented as shown in the illustration.

Caution

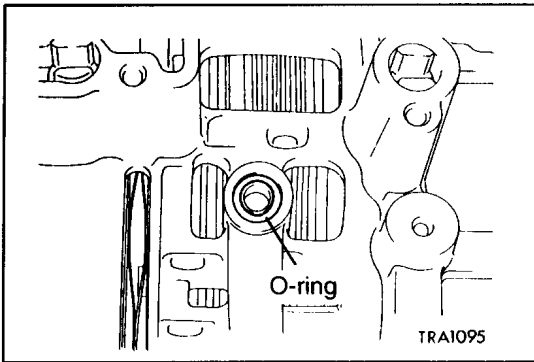
- Take care to the installation direction of the oil seal.



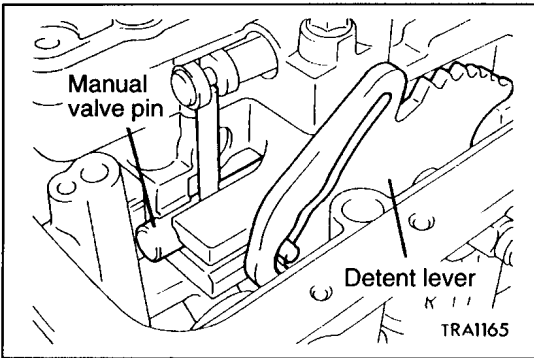
- 50. Install the solenoid valve harness, and then secure the snap ring to connector groove.

NOTE

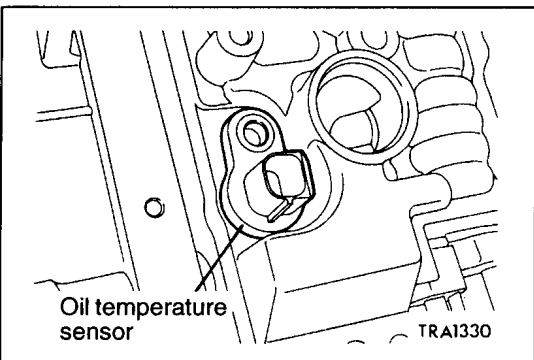
Install the harness so that it is oriented as shown in the illustration.



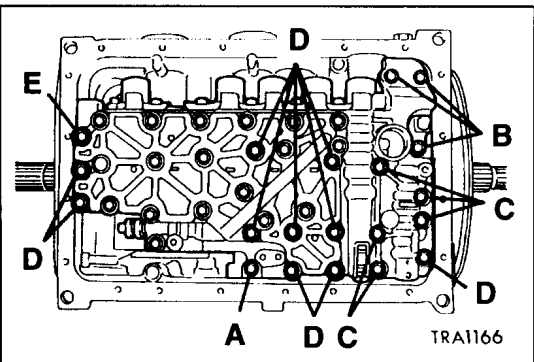
51. Install a new O-ring onto the transmission case at the position shown in the illustration.



52. Install the valve body while inserting the manual valve pin into the detent lever groove.

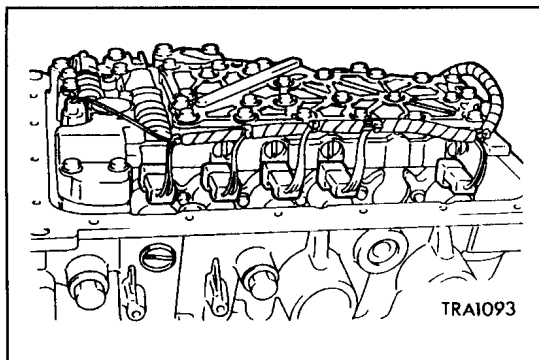


53. Install the oil temperature sensor.

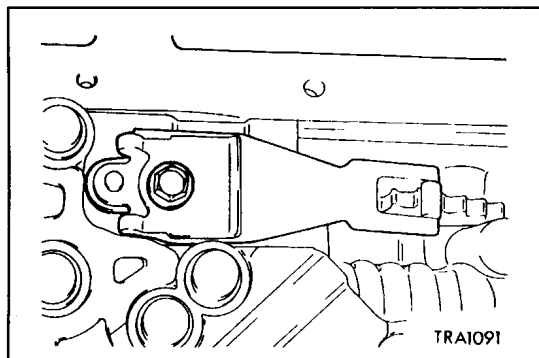


54. Tighten the twenty valve body mounting bolts to the specified torque.

Bolt	Length mm
A	25
B	30
C	40
D	45
E	55

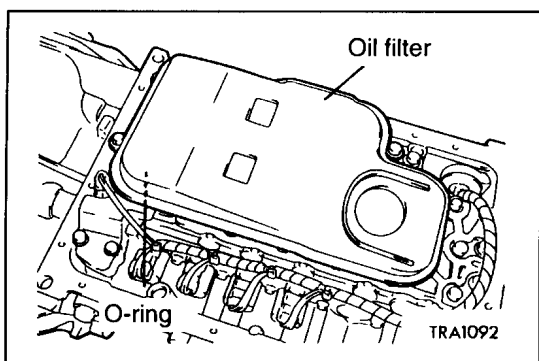


55. Connect the connector to the valve body.

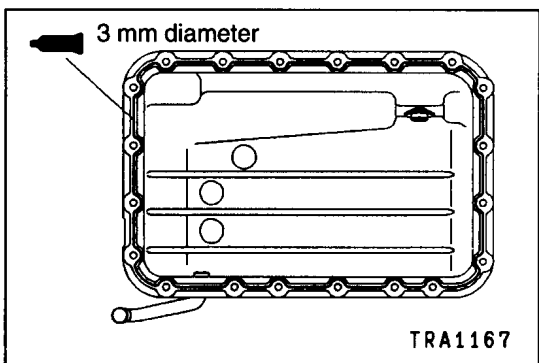


56. Install the detent spring.

57. Tighten the detent spring mounting bolt to the specified torque.



58. Install the oil filter and a new O-ring.



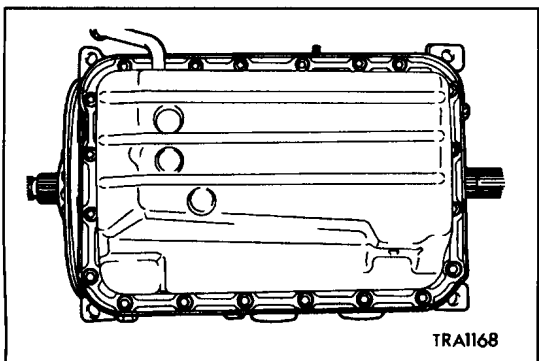
59. Apply sealant on the oil pan.

Specified sealant:

MITSUBISHI genuine sealant part No. MR166584 or equivalent

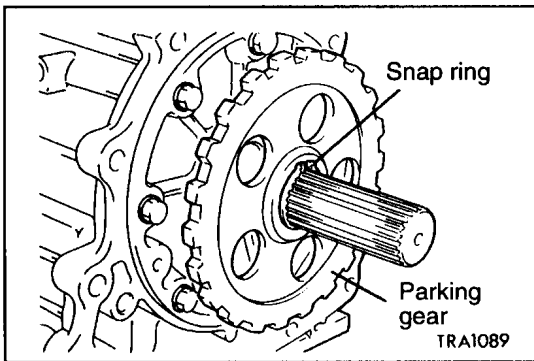
Caution

- Evenly squeeze out the sealant so that it is not insufficient or excessive.

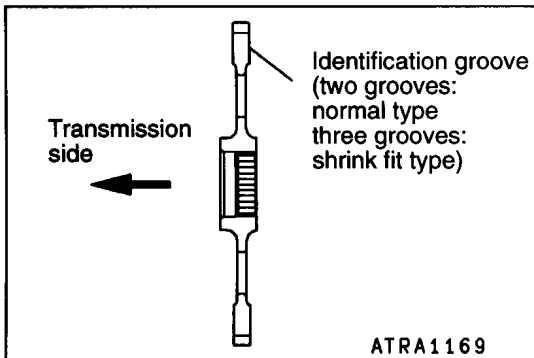


60. Install the oil pan.

61. Tighten the oil pan mounting bolts to the specified torque.

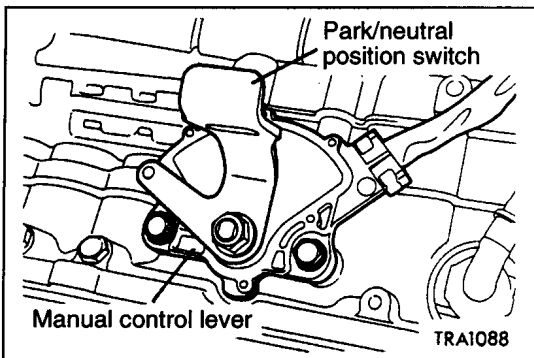


62. Install the parking gear and snap ring.

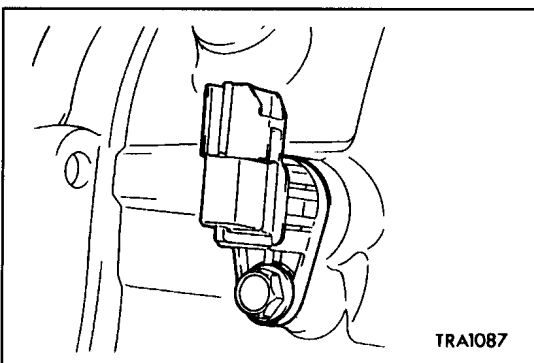


Caution

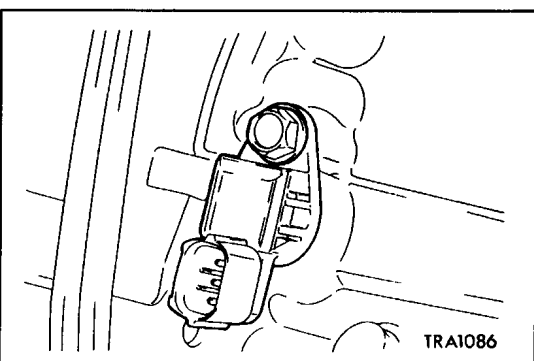
- Install the parking gear so that the side without the spline cut faces the transmission side.
- Heat the parking gear to 160 – 180°C, and shrink fit up to the stepped section of the output shaft. (Only the type with three identification grooves.) Do not heat for longer than necessary at this time.



63. Install the park/neutral position switch and manual control lever.



64. Install the output shaft speed sensor.

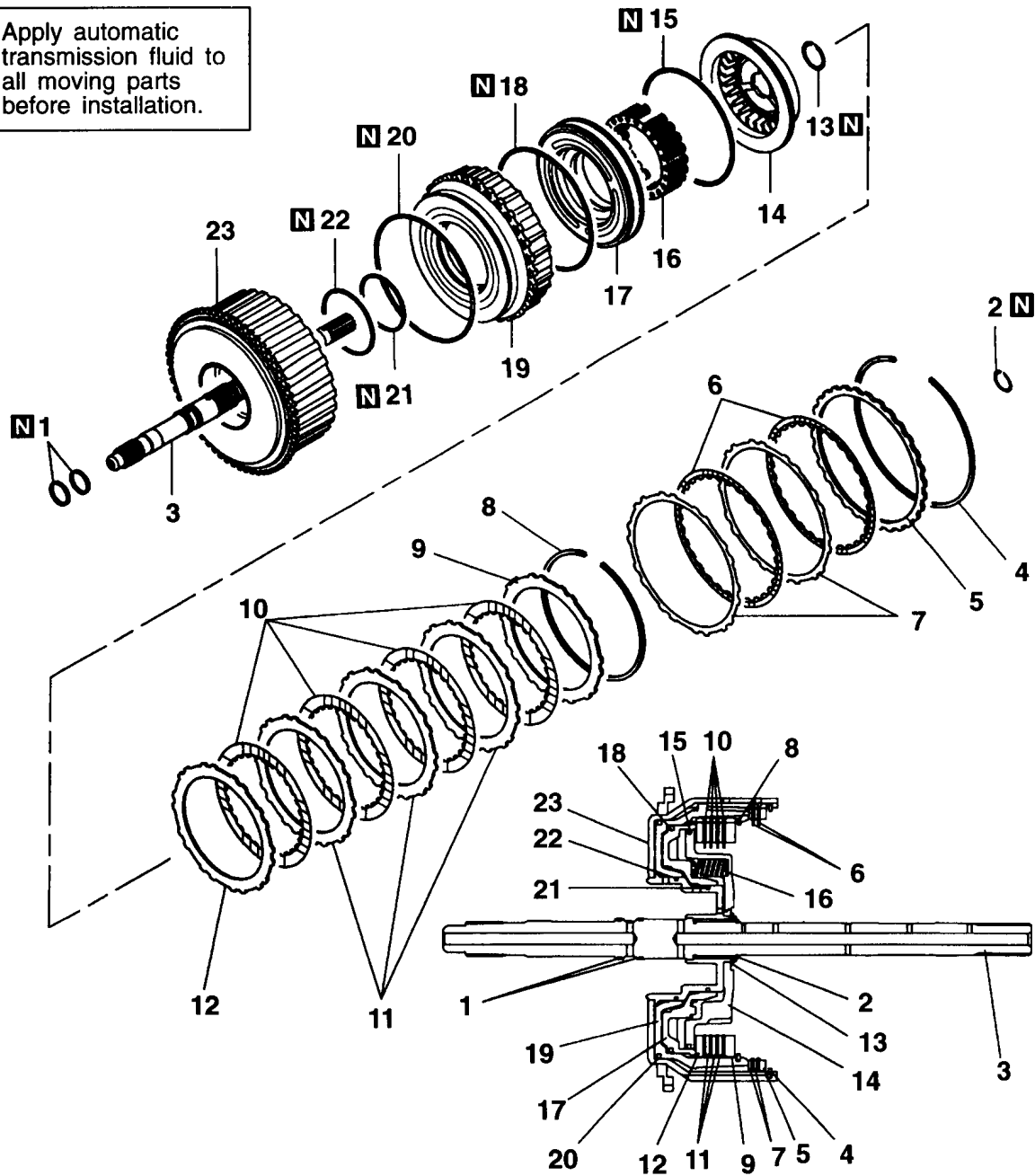


65. Install the input shaft speed sensor.

8. REVERSE AND OVERDRIVE CLUTCH

DISASSEMBLY AND ASSEMBLY <FOR 6G72 ENGINE>

Apply automatic transmission fluid to all moving parts before installation.



TRA1424

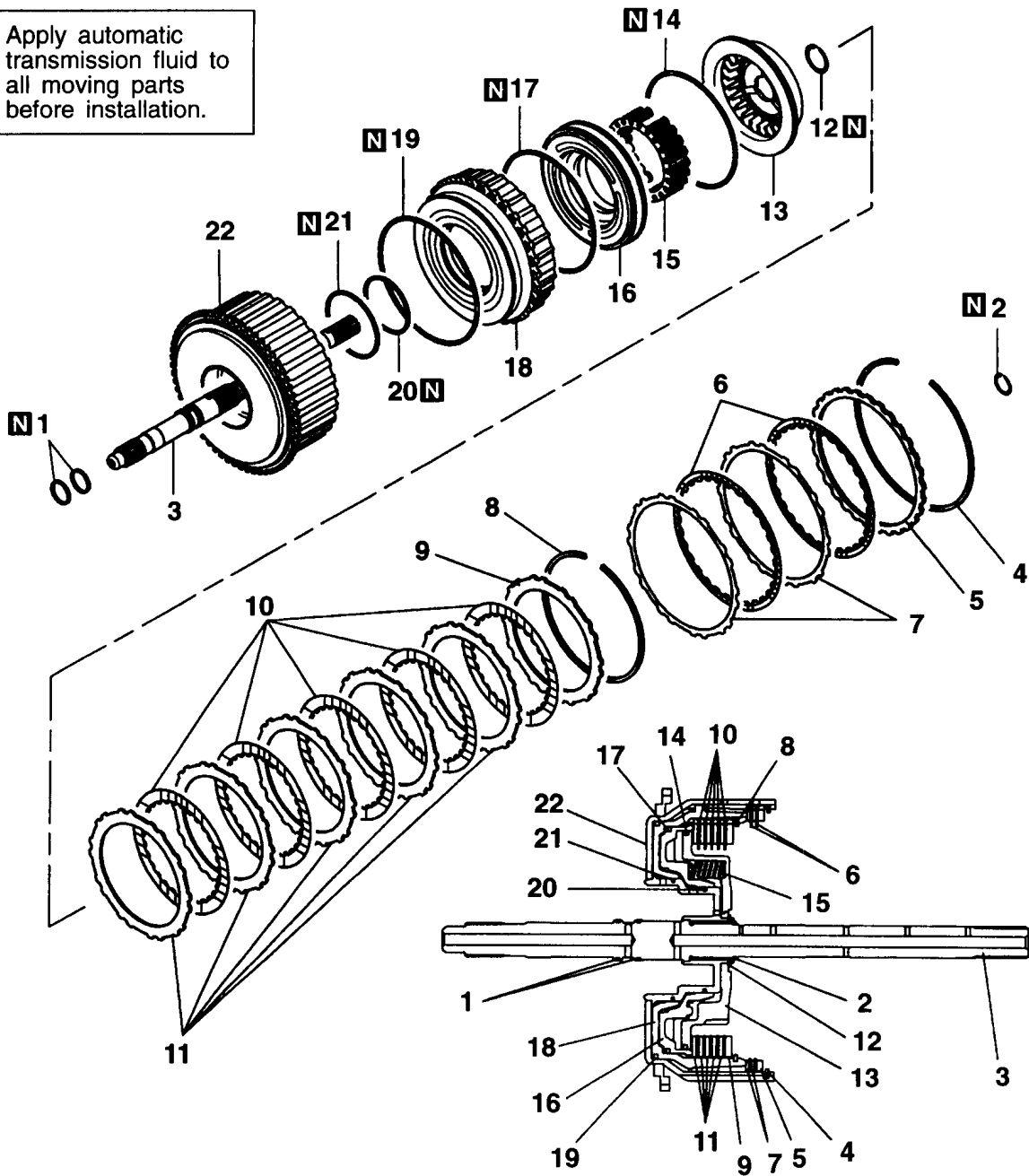
Disassembly steps

- 1. Seal ring
- 2. Snap ring
- 3. Input shaft
- 4. Snap ring
- 5. Reaction plate
- 6. Clutch disc
- 7. Clutch plate
- 8. Snap ring
- 9. Reaction plate
- 10. Clutch disc
- 11. Clutch plate
- 12. Pressure plate

- 13. Snap ring
- 14. Spring retainer
- 15. D-ring
- 16. Return spring
- 17. Overdrive clutch piston
- 18. D-ring
- 19. Reverse clutch piston
- 20. D-ring
- 21. D-ring
- 22. D-ring
- 23. Reverse clutch retainer

DISASSEMBLY AND ASSEMBLY <FOR 4M40 ENGINE>

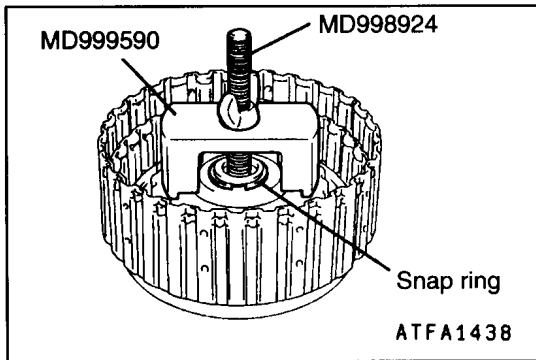
Apply automatic transmission fluid to all moving parts before installation.



TRA1423

Disassembly steps

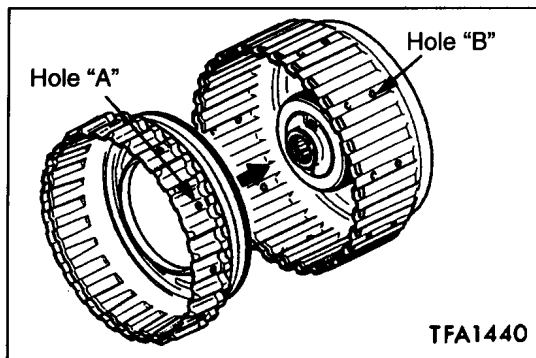
- | | | | |
|-----|-------------------|---------|-----------------------------|
| ▶H◀ | 1. Seal ring | ◀A▶ ▶D◀ | 12. Snap ring |
| ▶G◀ | 2. Snap ring | ▶A◀ | 13. Spring retainer |
| ▶G◀ | 3. Input shaft | ▶C◀ | 14. D-ring |
| ▶G◀ | 4. Snap ring | | 15. Return spring |
| ▶F◀ | 5. Reaction plate | ▶A◀ | 16. Overdrive clutch piston |
| ▶E◀ | 6. Clutch disc | ▶B◀ | 17. D-ring |
| ▶E◀ | 7. Clutch plate | ▶A◀ | 18. Reverse clutch piston |
| ▶E◀ | 8. Snap ring | ▶A◀ | 19. D-ring |
| ▶E◀ | 9. Reaction plate | ▶A◀ | 20. D-ring |
| ▶E◀ | 10. Clutch disc | ▶A◀ | 21. D-ring |
| ▶E◀ | 11. Clutch plate | | 22. Reverse clutch retainer |

**DISASSEMBLY SERVICE POINT****◀A▶ SNAP RING REMOVAL**

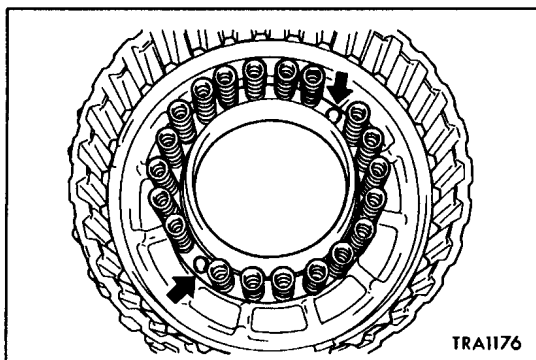
1. Set the special tools as shown in the illustration.
2. Compress the return spring, and remove the snap ring.

ASSEMBLY SERVICE POINTS**▶A◀ D-RING INSTALLATION**

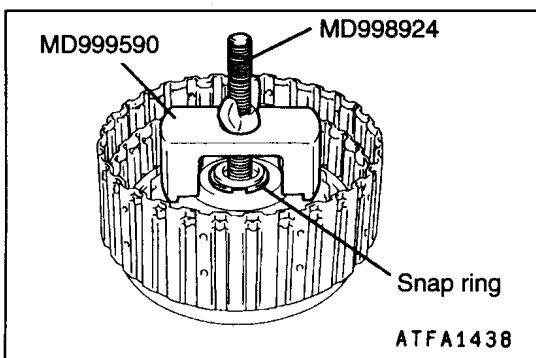
1. Apply ATF to the D-ring.
2. Install the D-rings in the reverse clutch retainer, piston, overdrive clutch piston and spring retainer grooves. Make sure that they are not twisted or damaged when installing.

**▶B◀ REVERSE CLUTCH PISTON INSTALLATION**

Align the holes ("A" and "B") in the reverse clutch piston and reverse clutch retainer and then assemble.

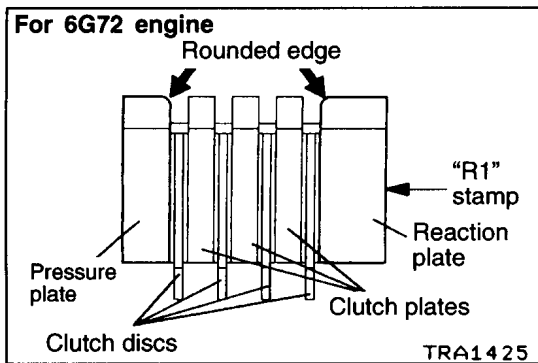
**▶C◀ RETURN SPRING INSTALLATION**

Align the two return spring holes with the two projections on the overdrive clutch piston, and then assemble the return springs.

**▶D◀ SNAP RING INSTALLATION**

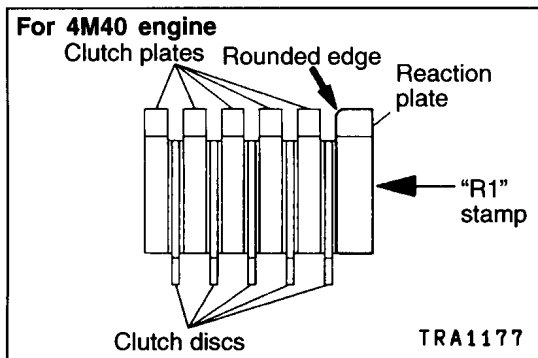
1. Set the special tools as shown in the illustration.
2. Tighten the special tool nut, and press the spring retainer against the reverse clutch retainer.
3. Install the thickest snap ring that can be fitted in the snap ring groove of the reverse clutch retainer.
4. Confirm that clearance between the snap ring and spring retainer is the standard value.

Standard value: 0 – 0.09 mm



►E◄ PRESSURE PLATE (FOR 6G72 ENGINE ONLY) / CLUTCH PLATE / CLUTCH DISC / REACTION PLATE INSTALLATION

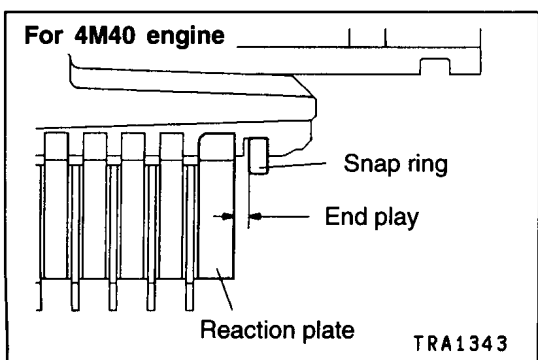
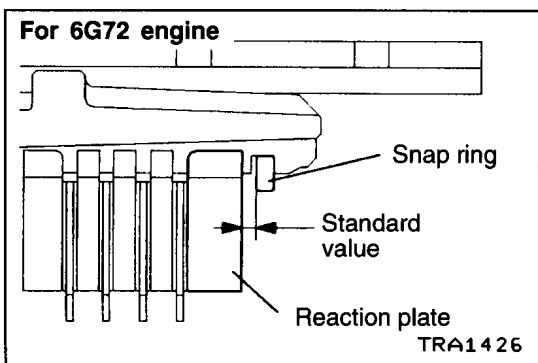
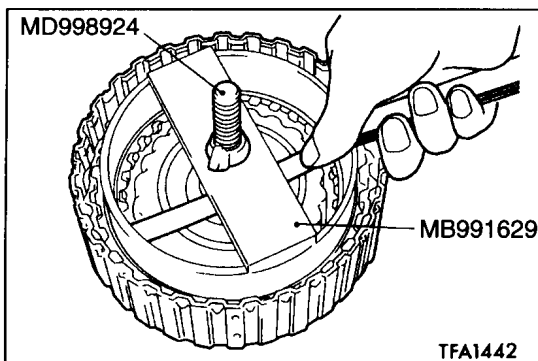
1. Install the pressure plate so that it is oriented as shown in the illustration. <Only for 6G72 engine>
2. Alternately assemble the clutch discs and clutch plates in the reverse clutch piston.
3. Install the reaction plate so that it is oriented as shown in the illustration.

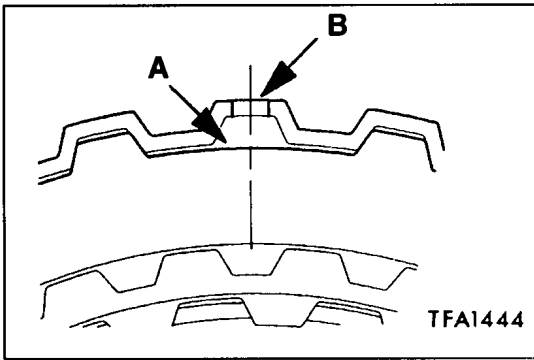


►F◄ SNAP RING INSTALLATION

1. Install the snap ring in the reverse clutch piston groove.
2. Set the special tools as shown in the illustration, and compress the clutch element.
3. Confirm that the clearance (overdrive clutch end play) of the snap ring and reaction plate is the standard value. If the clearance is not at the standard value, select a suitable snap ring and adjust so that the clearance is within the standard value.

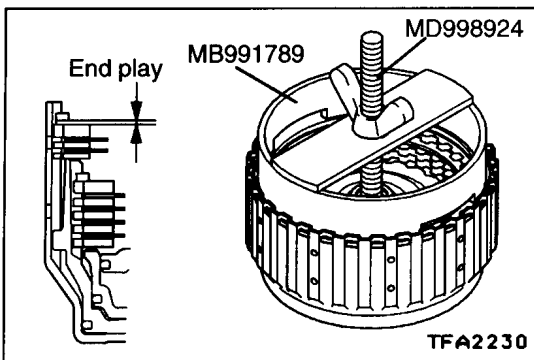
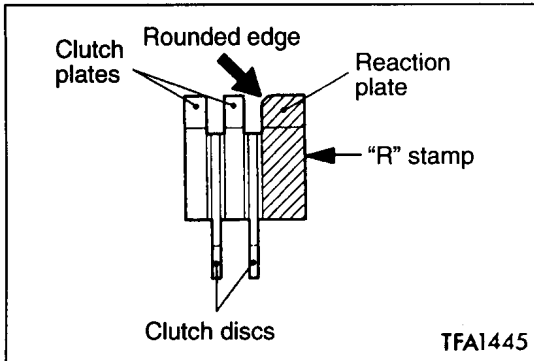
Standard value: 1.6 – 1.8 mm <for 6G72 engine>
2.0 – 2.2 mm <for 4M40 engine>





►G◄ CLUTCH PLATE / CLUTCH DISC/REACTION PLATE INSTALLATION

1. Alternately assemble the clutch plates and clutch discs in the reverse clutch retainer.
When assembling the clutch plates, align the section where there are no teeth (A in the illustration) with the reverse clutch retainer hole (B in the illustration).
2. Install the reaction plate so that it is oriented as shown in the illustration.
Assemble in the same manner as the clutch plate so that the section with no teeth ("A" in the illustration) matches the retainer hole ("B" in the illustration).



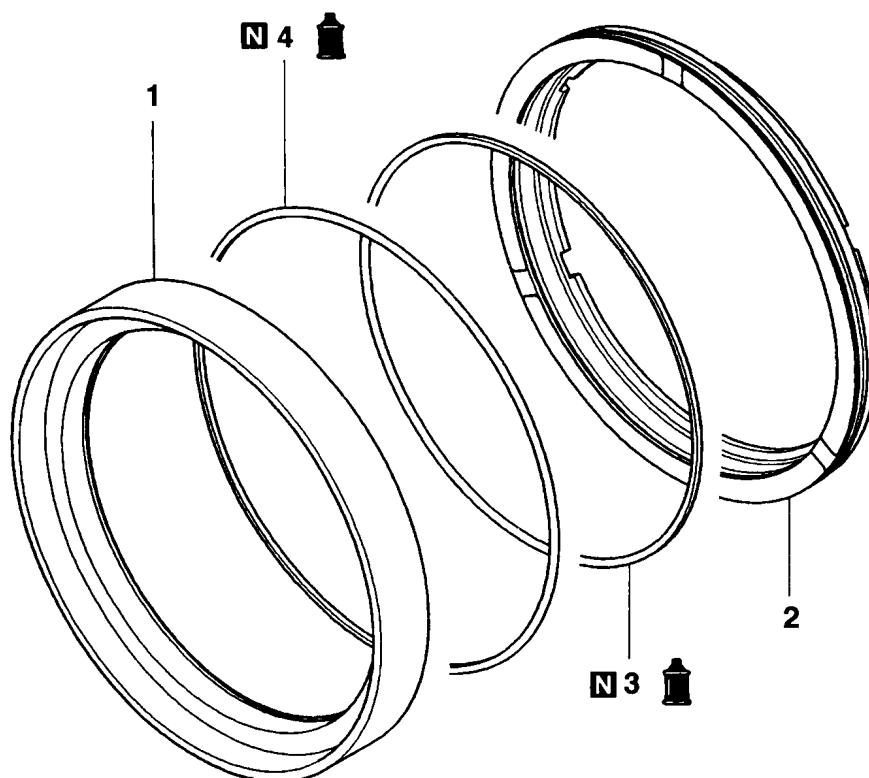
►H◄ SNAP RING INSTALLATION

1. Install the snap ring in the reverse clutch retainer groove.
2. Set the special tools as shown in the illustration, and compress the clutch element.
3. Check that the clearance between the snap ring and reaction plate (reverse clutch end play) is the standard value.
If the clearance is not at the standard value, select a suitable snap ring and adjust so that the clearance is within the standard value.

Standard value: 1.5 – 1.7 mm

9. SECOND BRAKE

DISASSEMBLY AND ASSEMBLY



TRA1060

Disassembly steps


- 1. Second brake retainer
- 2. Second brake piston
- ▶A◀ 3. D-ring
- ▶A◀ 4. D-ring

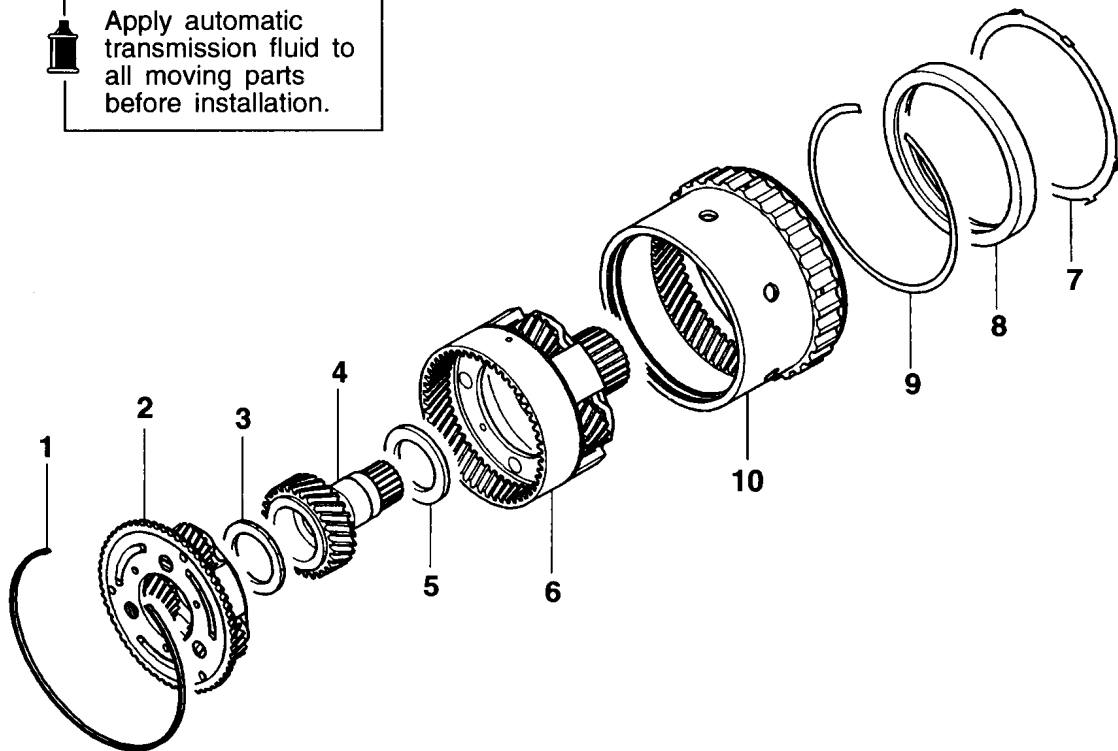
ASSEMBLY SERVICE POINT

▶A◀ D-RING INSTALLATION

1. Apply ATF to the D-ring.
2. Install the D-ring in the groove on the outer and inner periphery of the piston. Make sure that the D-ring is not twisted or damaged when installing.

10. LOW/REVERSE ANNULUS GEAR DISASSEMBLY AND ASSEMBLY

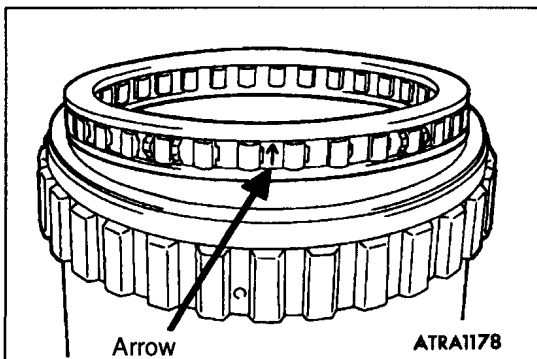
 Apply automatic transmission fluid to all moving parts before installation.



TRA1059

Disassembly steps

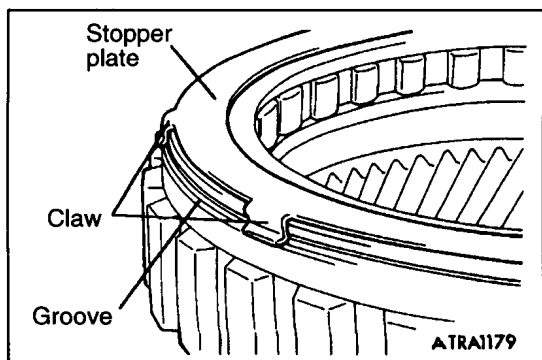
1. Snap ring
2. Overdrive planetary carrier
- ▶D◀ 3. Thrust bearing No.5
- ▶C◀ 4. Underdrive sun gear
- ▶C◀ 5. Thrust bearing No.6
- ▶B◀ 6. Output planetary carrier
- ▶A◀ 7. Stopper plate
- ▶A◀ 8. One-way clutch
9. Snap ring
10. Low/reverse annulus gear



ASSEMBLY SERVICE POINTS

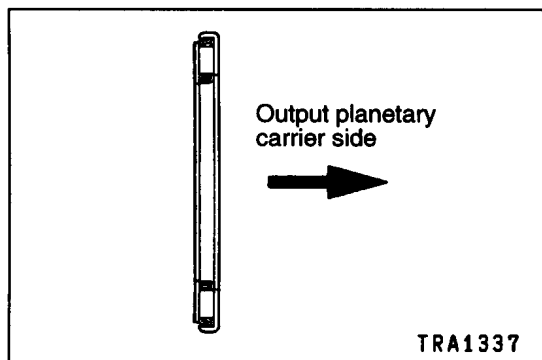
▶A◀ ONE-WAY CLUTCH INSTALLATION

Install the one-way clutch so that the arrow stamp is oriented as shown in the illustration.



▶B◀ STOPPER PLATE INSTALLATION

Install the stopper plate onto the low/reverse annulus gear. Make sure that the stopper plate claws are securely engaged in the annulus gear groove.

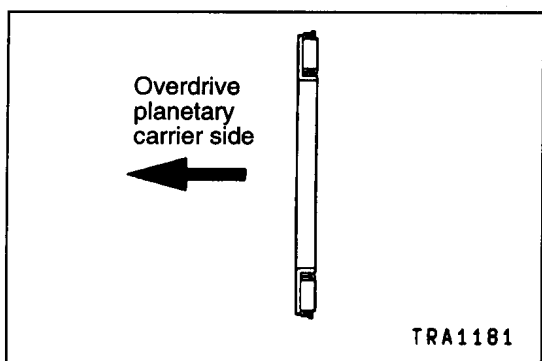


▶C◀ THRUST BEARING NO.6 INSTALLATION

Apply Vaseline or petrolatum jelly on the thrust bearing No.6, and then install on the output planetary carrier.

Caution

- Take care not to mistake the thrust bearing No.6 mounting direction.



▶D◀ THRUST BEARING NO.5 INSTALLATION

Apply Vaseline or petrolatum jelly on the thrust bearing No.5, and then install on the overdrive planetary carrier.

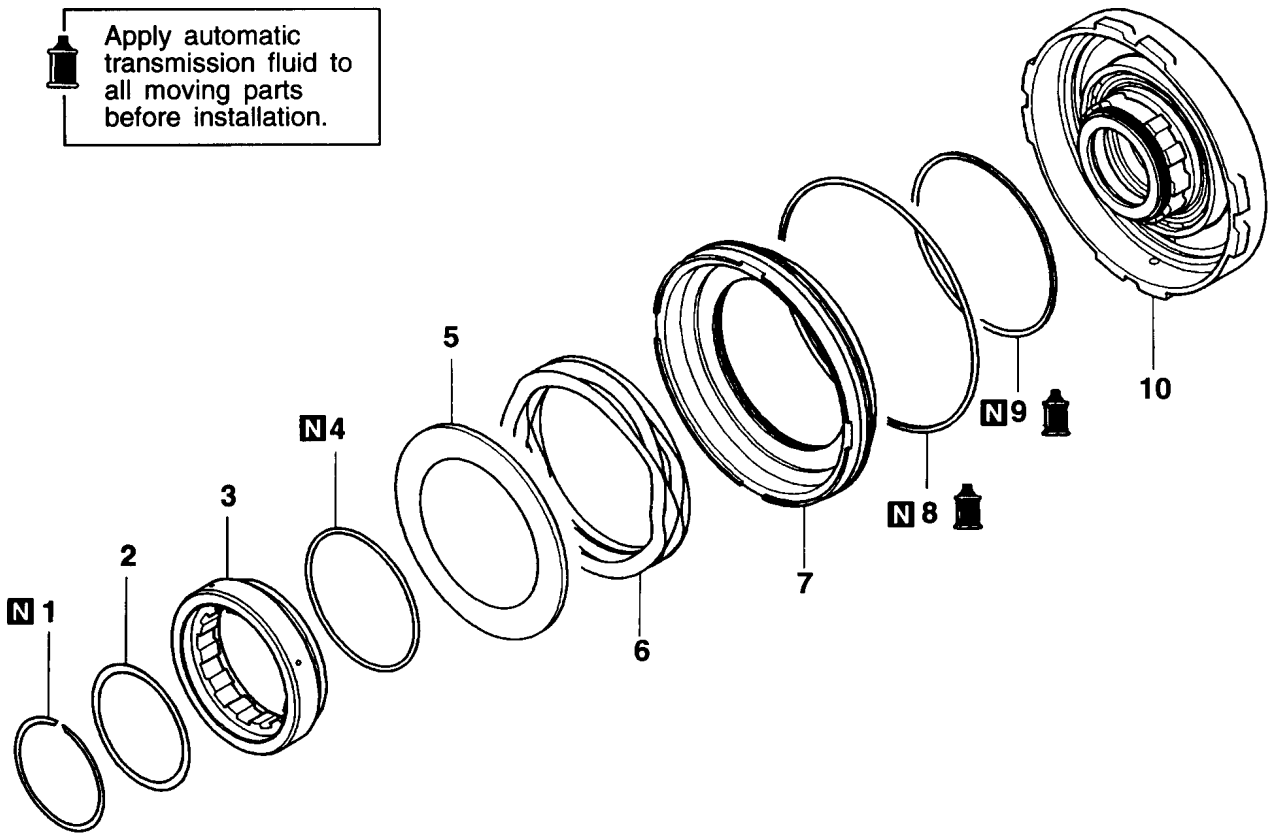
Caution

- Take care not to mistake the thrust bearing No.5 mounting direction.

11. CENTER SUPPORT

DISASSEMBLY AND ASSEMBLY

Apply automatic transmission fluid to all moving parts before installation.

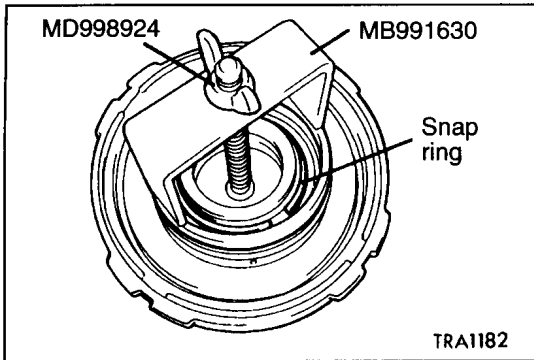


TRA1058

Disassembly steps

- ◀A▶ ▶C▶ 1. Snap ring
- ▶B▶ 2. Plate
- ▶B▶ 3. One-way clutch inner race
- ▶B▶ 4. O-ring
- ▶B▶ 5. Spring retainer

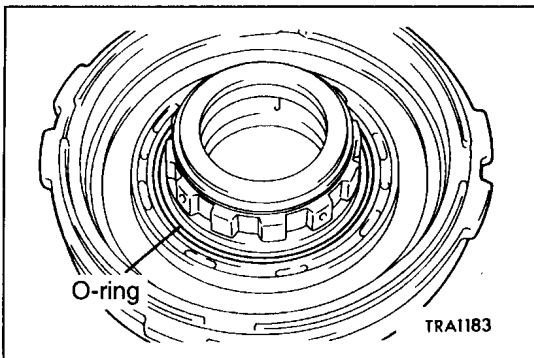
- ▶A▶ ▶A▶ 6. Return spring
- ▶A▶ ▶A▶ 7. Low/reverse brake piston
- ▶A▶ ▶A▶ 8. D-ring
- ▶A▶ ▶A▶ 9. D-ring
- ▶A▶ ▶A▶ 10. Center support

**DISASSEMBLY SERVICE POINT****◀▶ SNAP RING REMOVAL**

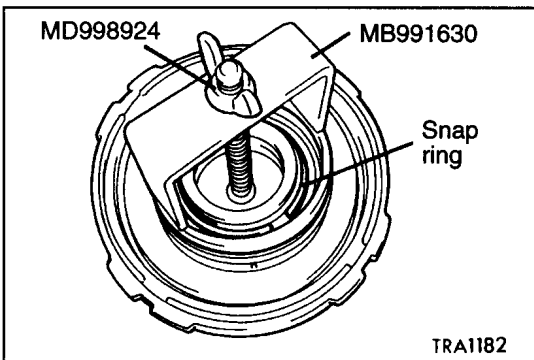
1. Set the special tools as shown in the illustration so that they are pressed against the inner race of the one-way clutch.
2. Screw in the special tool nut, and lightly press against the inner race of the one-way clutch.
3. Remove the snap ring.

ASSEMBLY SERVICE POINTS**▶◀ D-RING INSTALLATION**

1. Apply ATF to the D-ring.
2. Install the D-ring in the groove on the outer and inner periphery of the piston. Make sure that the D-ring is not twisted or damaged when installing.

**▶◀ O-RING INSTALLATION**


Install the O-ring onto the center support at the position shown in the illustration.

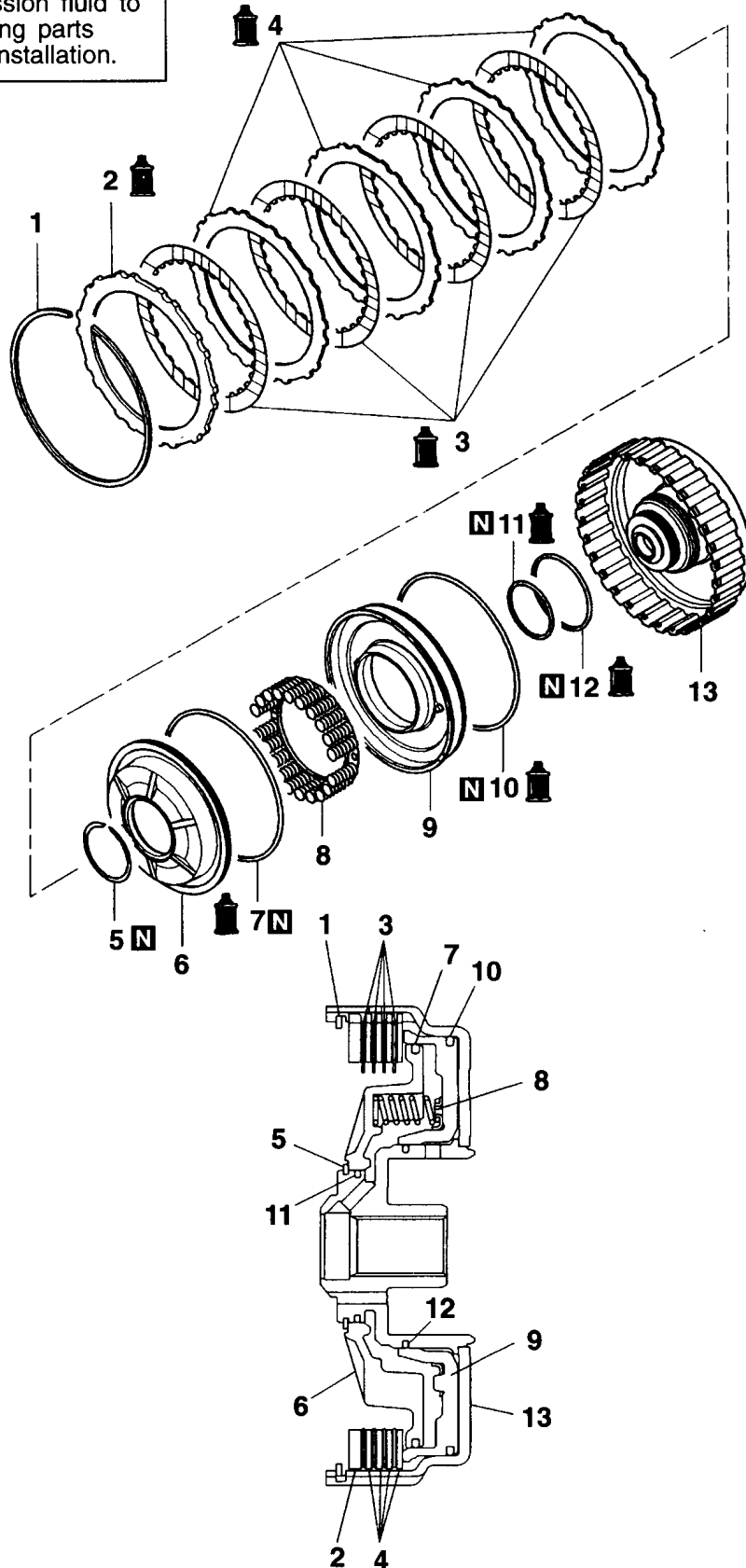
**▶◀ SNAP RING INSTALLATION**

1. Set the special tools as shown in the illustration.
2. Screw in the special tool nut, and lightly press against the inner race of the one-way clutch.
3. Install the snap ring.

12. UNDERDRIVE CLUTCH

DISASSEMBLY AND ASSEMBLY

 Apply automatic transmission fluid to all moving parts before installation.

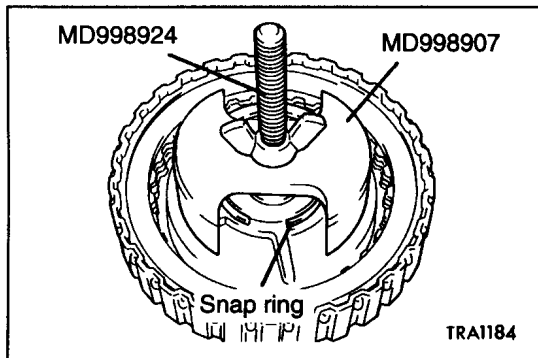


TRA1057

Disassembly steps

- ▶E◀ 1. Snap ring
- ▶D◀ 2. Reaction plate
- ▶D◀ 3. Clutch disc
- ▶D◀ 4. Clutch plate
- ◀A▶ ▶C◀ 5. Snap ring
- ▶A◀ 6. Snap retainer
- ▶A◀ 7. D-ring

- ▶B◀ 8. Return spring
- 9. Underdrive clutch piston
- ▶A◀ 10. D-ring
- ▶A◀ 11. D-ring
- ▶A◀ 12. D-ring
- 13. Underdrive clutch retainer

**DISASSEMBLY SERVICE POINT****◀A▶ SNAP RING REMOVAL**

1. Set the special tools as shown in the illustration.
2. Compress the return spring, and remove the snap ring.

ASSEMBLY SERVICE POINTS**▶A◀ D-RING INSTALLATION**

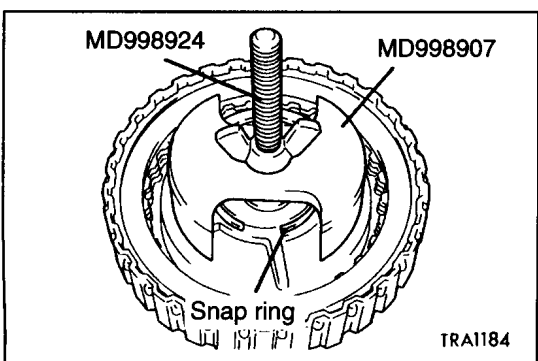
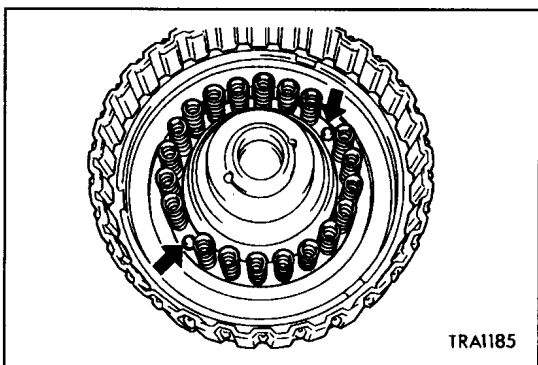
1. Apply ATF to the D-ring.
2. Install the D-ring in the groove of the underdrive clutch retainer and spring retainer. Make sure that the D-ring is not twisted or damaged when installing.

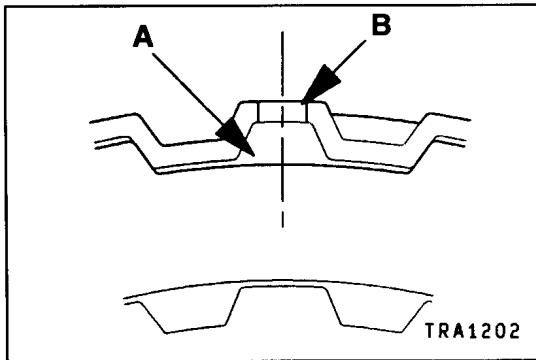
▶B◀ RETURN SPRING INSTALLATION

Align the two return spring holes with the two projections on the underdrive clutch piston, and then assemble the return springs.

▶C◀ SNAP RING INSTALLATION

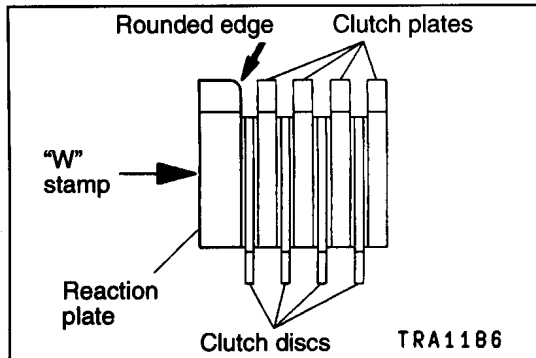
1. Set the special tools as shown in the illustration.
2. Compress the return spring, and install the snap ring.





►D◄ CLUTCH PLATE / CLUTCH DISC / REACTION PLATE INSTALLATION

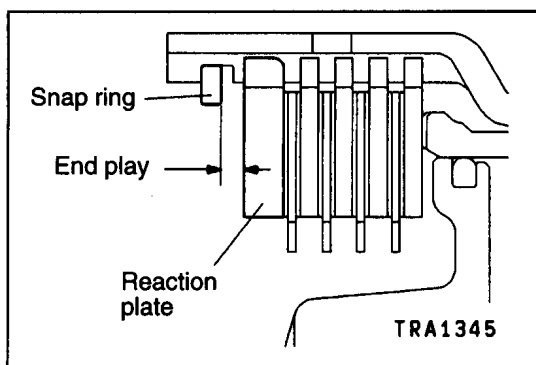
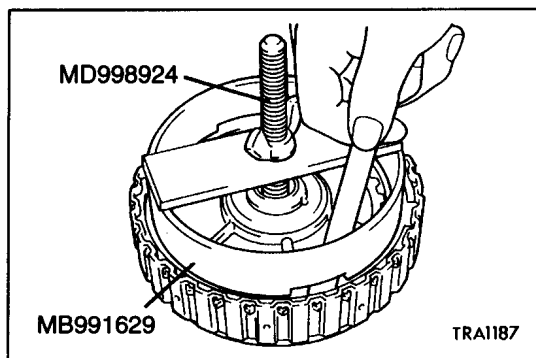
1. Alternately assemble the clutch plates and clutch discs in the underdrive clutch retainer.
When assembling the four clutch plates, align the section where there are no teeth (A in the illustration) with the underdrive clutch retainer hole (B in the illustration).
2. Install the reaction plate so that it is oriented as shown in the illustration.
Assemble in the same manner as the clutch plate so that the section with no teeth ("A" in the illustration) matches the retainer hole ("B" in the illustration).



►E◄ SNAP RING INSTALLATION

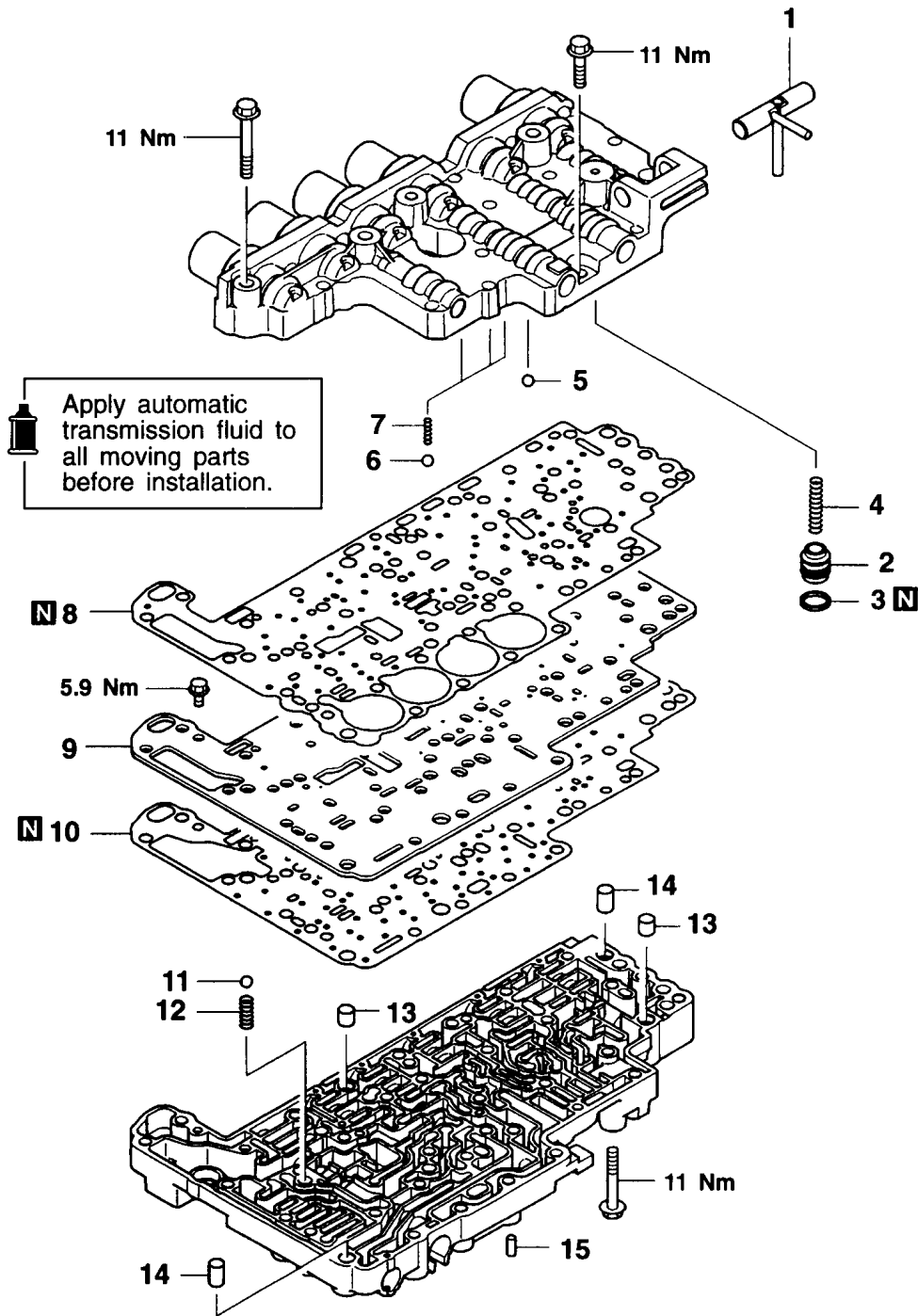
1. Install the snap ring in the groove of the underdrive clutch retainer.
2. Set the special tools as shown in the illustration, and compress the clutch element.
3. Confirm that the clearance between the snap ring and reaction plate (underdrive clutch end play) is the standard value. If the clearance is not at the standard value, select a suitable snap ring and adjust so that the clearance is within the standard value.

Standard value: 1.6 – 1.8 mm



13. VALVE BODY

DISASSEMBLY AND ASSEMBLY

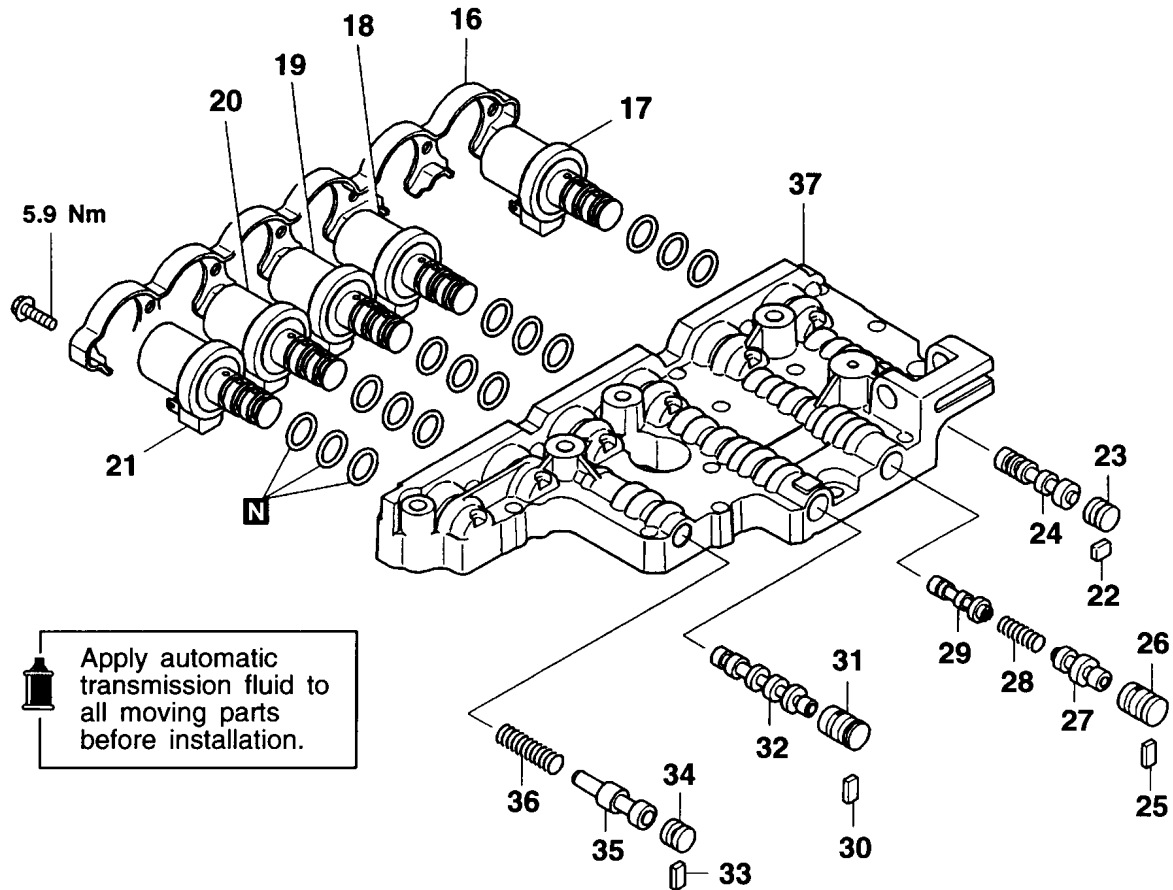


TRA1062

Disassembly steps

- ▶G▶ 1. Manual valve pin
- ▶F▶ 2. Damping valve
- ▶F▶ 3. Seal ring
- ▶F▶ 4. Damping valve spring
- ▶F▶ 5. Ball (orifice check ball)
- ▶F▶ 6. Steel ball (orifice check ball)
- ▶F▶ 7. Spring
- ▶F▶ 8. Upper valve body gasket

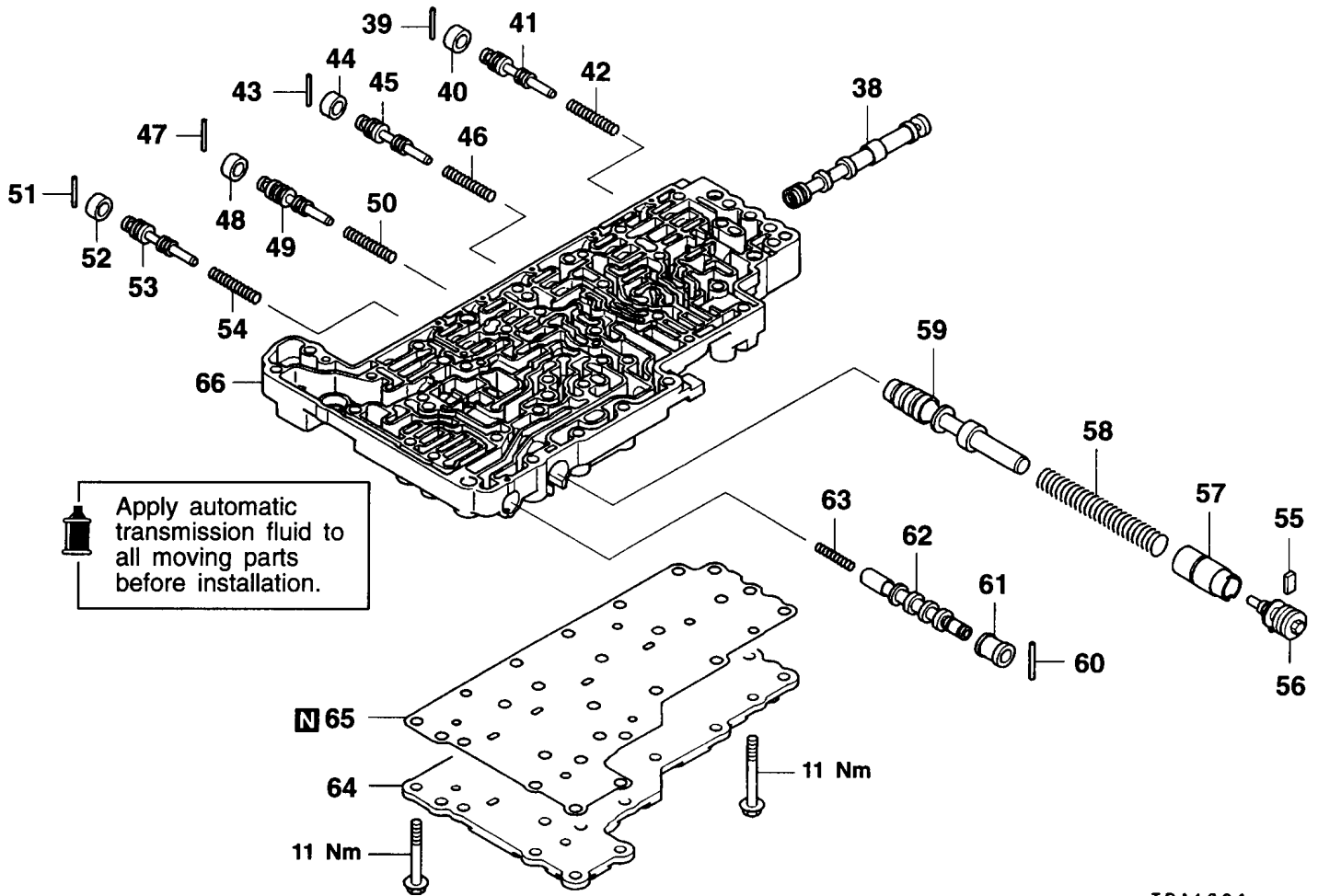
- ▶E▶ 9. Separating plate
- ▶E▶ 10. Lower valve body gasket
- ▶E▶ 11. Steel ball (line relief)
- ▶E▶ 12. Spring
- ▶D▶ 13. Knock bushing
- ▶C▶ 14. Knock bushing
- ▶B▶ 15. Dowel pin



TRA1063

Disassembly steps

- | | | | |
|-----|-----|--|--|
| ◀A▶ | ▶A▶ | 16. Solenoid support | |
| ◀A▶ | ▶A▶ | 17. Low/reverse brake solenoid valve | 28. Fail-safe valve A spring |
| ◀A▶ | ▶A▶ | 18. Second brake solenoid valve | 29. Fail-safe valve A ₁ |
| ◀A▶ | ▶A▶ | 19. Underdrive clutch solenoid valve | 30. Stopper plate |
| ◀A▶ | ▶A▶ | 20. Overdrive clutch solenoid valve | 31. Fail-safe valve B sleeve |
| ◀A▶ | ▶A▶ | 21. Torque converter clutch control solenoid valve | 32. Fail-safe valve B |
| | | 22. Stopper plate | 33. Stopper plate |
| | | 23. Stopper plug | 34. Stopper plug |
| | | 24. Switching valve | 35. Torque converter pressure control valve |
| | | 25. Stopper plate | 36. Torque converter pressure control valve spring |
| | | 26. Fail-safe valve A sleeve | 37. Upper valve body |
| | | 27. Fail-safe valve A ₂ | |



TRA1064

Disassembly steps

- | | |
|---|--|
| 38. Manual valve | 51. Roller |
| 39. Roller | 52. Overdrive clutch pressure control valve sleeve |
| 40. Low/reverse brake pressure control valve sleeve | 53. Overdrive clutch pressure control valve |
| 41. Low/reverse brake pressure control valve | 54. Overdrive clutch pressure control valve spring |
| 42. Low/reverse brake pressure control valve spring | 55. Stopper plate |
| 43. Roller | 56. Regulator valve adjusting screw |
| 44. Second brake pressure control valve sleeve | 57. Regulator valve sleeve |
| 45. Second brake pressure control valve | 58. Regulator valve spring |
| 46. Second brake pressure control valve spring | 59. Regulator valve |
| 47. Roller | 60. Roller |
| 48. Underdrive clutch pressure control valve sleeve | 61. Torque converter clutch control valve sleeve |
| 49. Underdrive clutch pressure control valve | 62. Torque converter clutch control valve |
| 50. Underdrive clutch pressure control valve spring | 63. Torque converter clutch control valve spring |
| | 64. Cover |
| | 65. Cover gasket |
| | 66. Lower valve body |

DISASSEMBLY SERVICE POINT**◀A▶ SOLENOID VALVE REMOVAL**

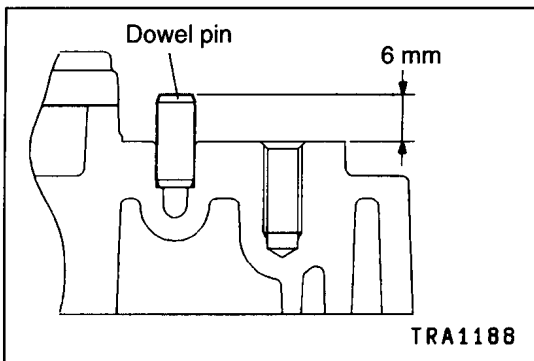
Before removing the solenoid valves, make marks with white paint, etc., so that these valves can be reinstalled in the original positions.

ASSEMBLY SERVICE POINTS**▶A◀ SOLENOID VALVE INSTALLATION**

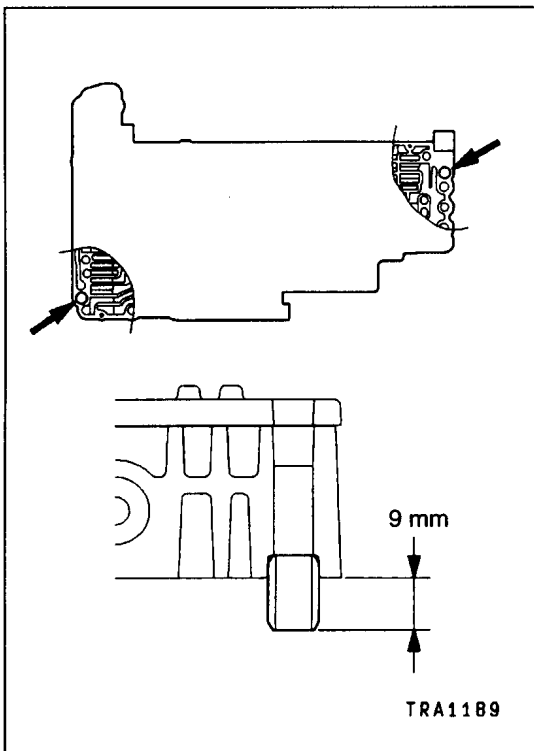
1. Apply ATF, petrolatum jelly or Vaseline to O-rings, and install them to solenoid valves.
2. Following the marks made during removal, install each solenoid valve.

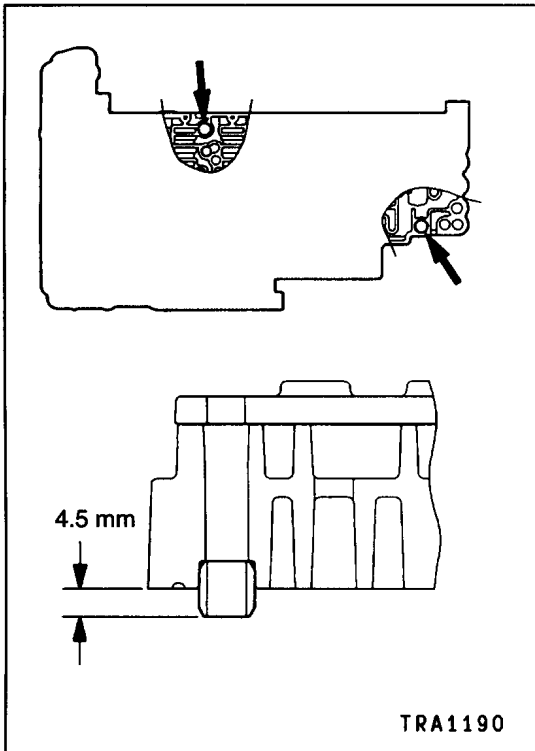
▶B◀ DOWEL PIN INSTALLATION

Install the dowel pin at the specified position on the lower valve body.

**▶C◀ KNOCK BUSHING INSTALLATION**

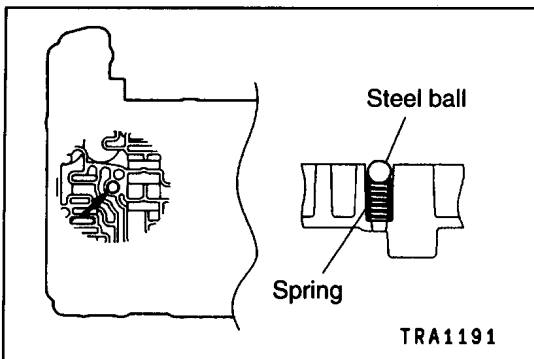
Install the knock bushing onto the lower valve body position shown in the illustration.





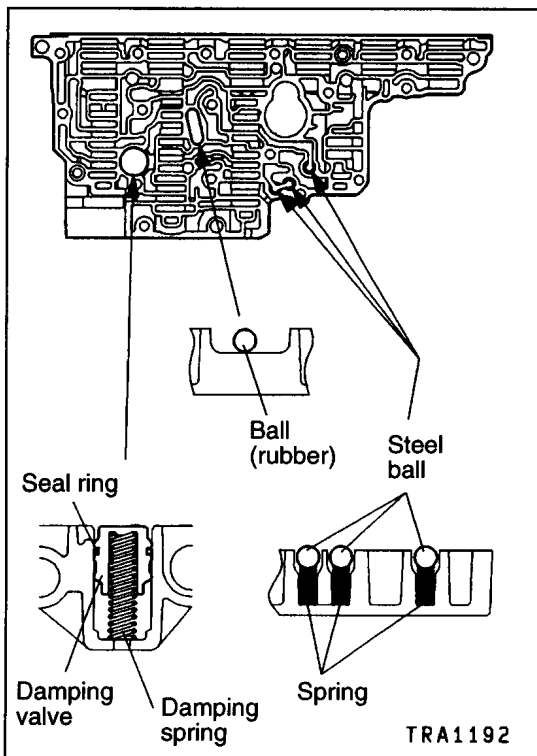
►D◄ KNOCK BUSHING INSTALLATION

Install the knock bushing onto the lower valve body position shown in the illustration.



►E◄ SPRING / STEEL BALL (LINE RELIEF) INSTALLATION

Install the spring (7 mm in diameter, 17.3 mm in length) and the steel ball (6.4 mm in diameter) onto the lower valve body position shown in the illustration.

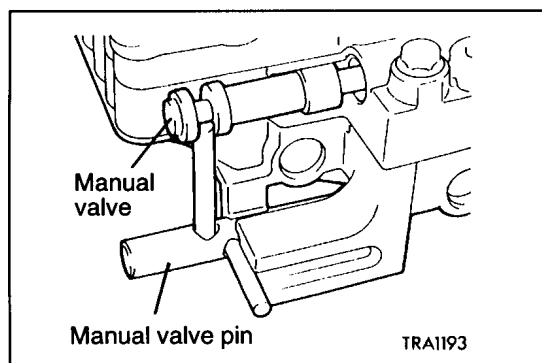


►F◄ SPRING / STEEL BALL (ORIFICE CHECK BALL) / BALL (ORIFICE CHECK BALL) / DAMPING VALVE SPRING / SEAL RING / DAMPING VALVE INSTALLATION

1. Install the spring (4.5 mm in diameter, 15.4 mm in length) and the steel ball (6.4 mm in diameter) onto the upper valve body position shown in the illustration.
2. Install the ball (rubber) (6.4 mm in diameter) onto the upper valve body position shown in the illustration.
3. After installing the seal ring onto the damping valve, install together with the damping valve spring (7.7 mm in diameter, 35.8 mm in length) onto the upper valve body position shown in the illustration.

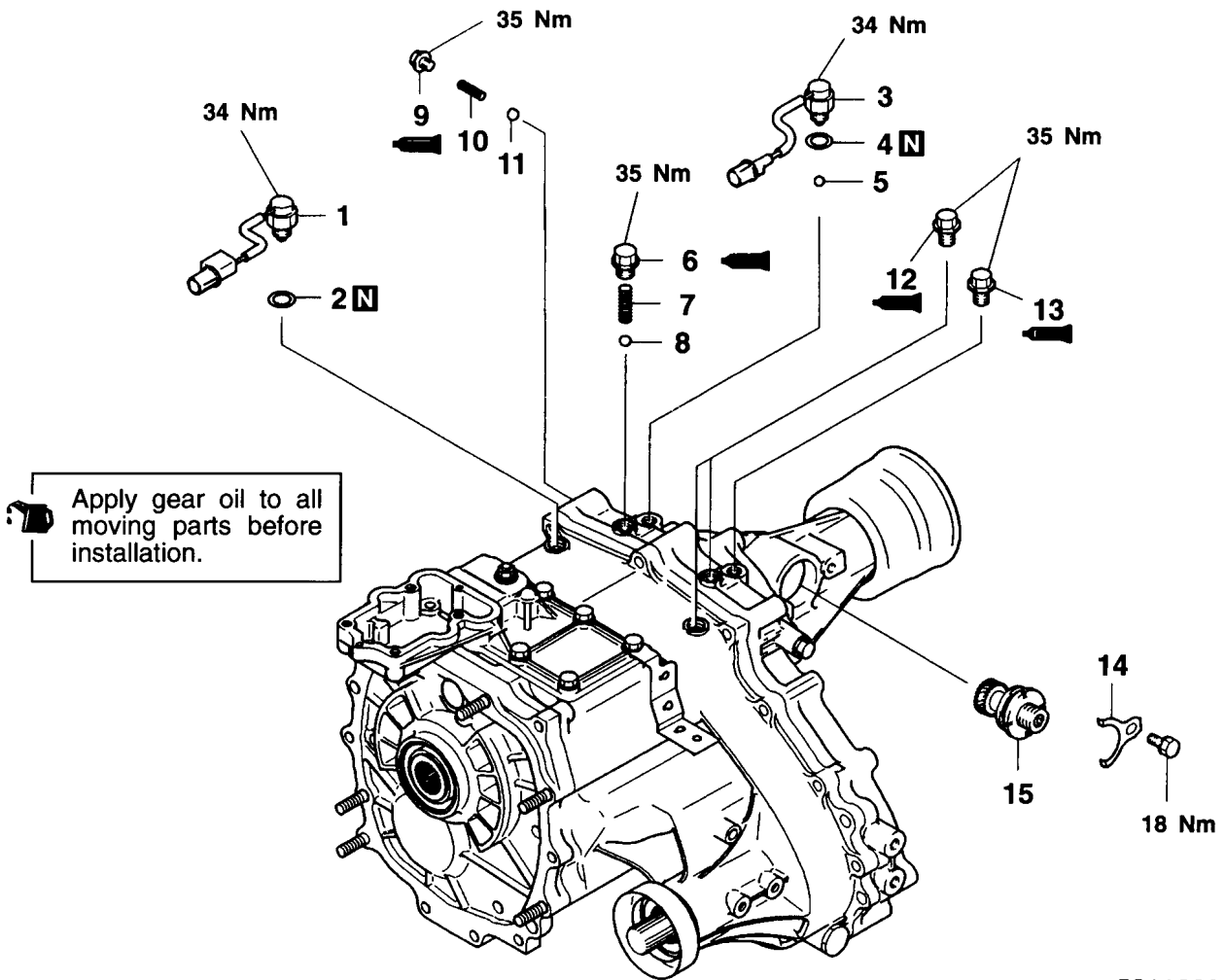
▶G◀ MANUAL VALVE INSTALLATION

Fit the manual valve pin into the groove of the manual valve.



14. TRANSFER <V4A51>

DISASSEMBLY AND ASSEMBLY – V4A51-5 PART TIME 4WD



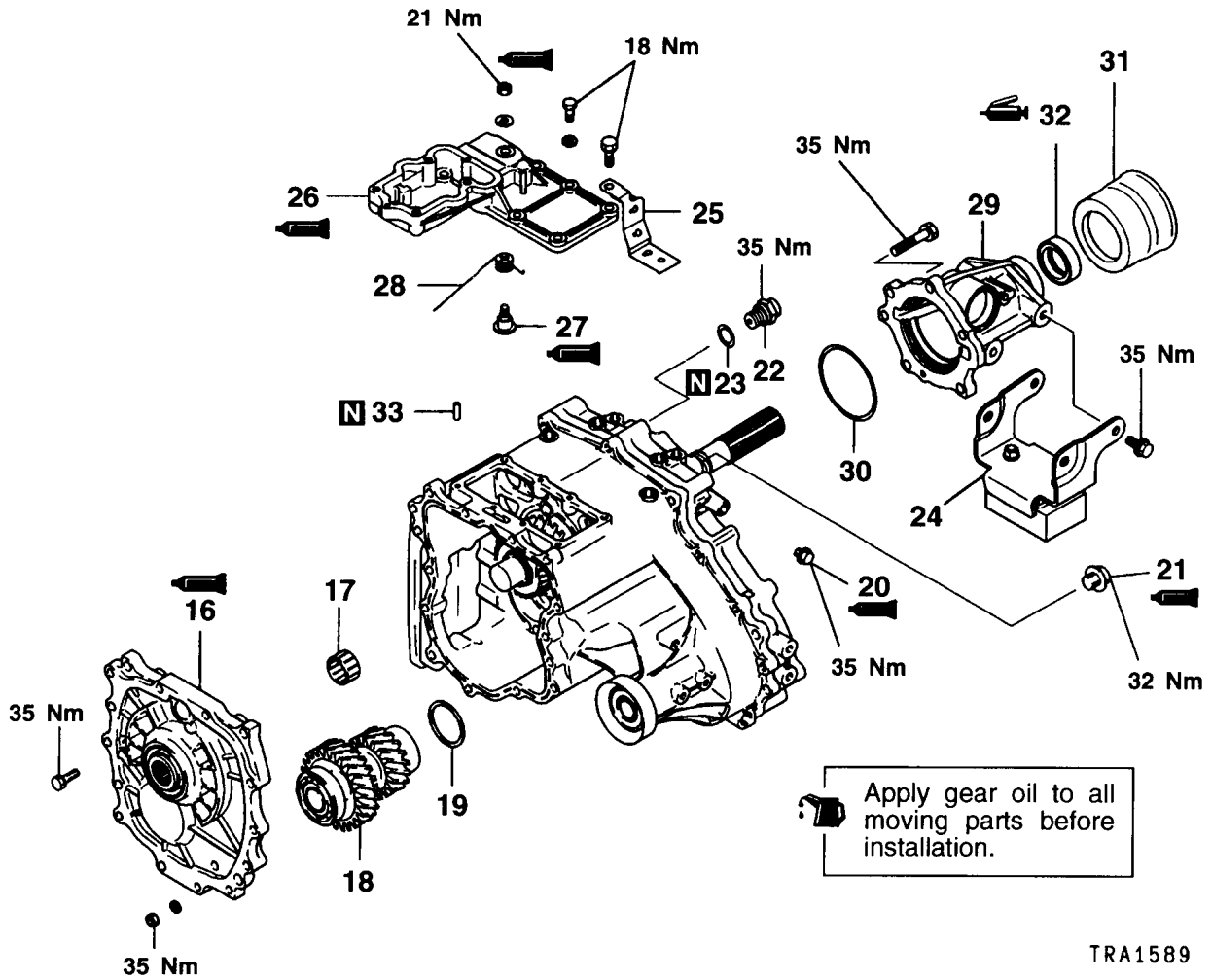
TRA1332

Disassembly steps

1. 2-4WD detection switch
2. Gasket
3. H-L detection switch
4. Gasket
5. Steel ball
6. Plug
7. Spring
8. Steel ball



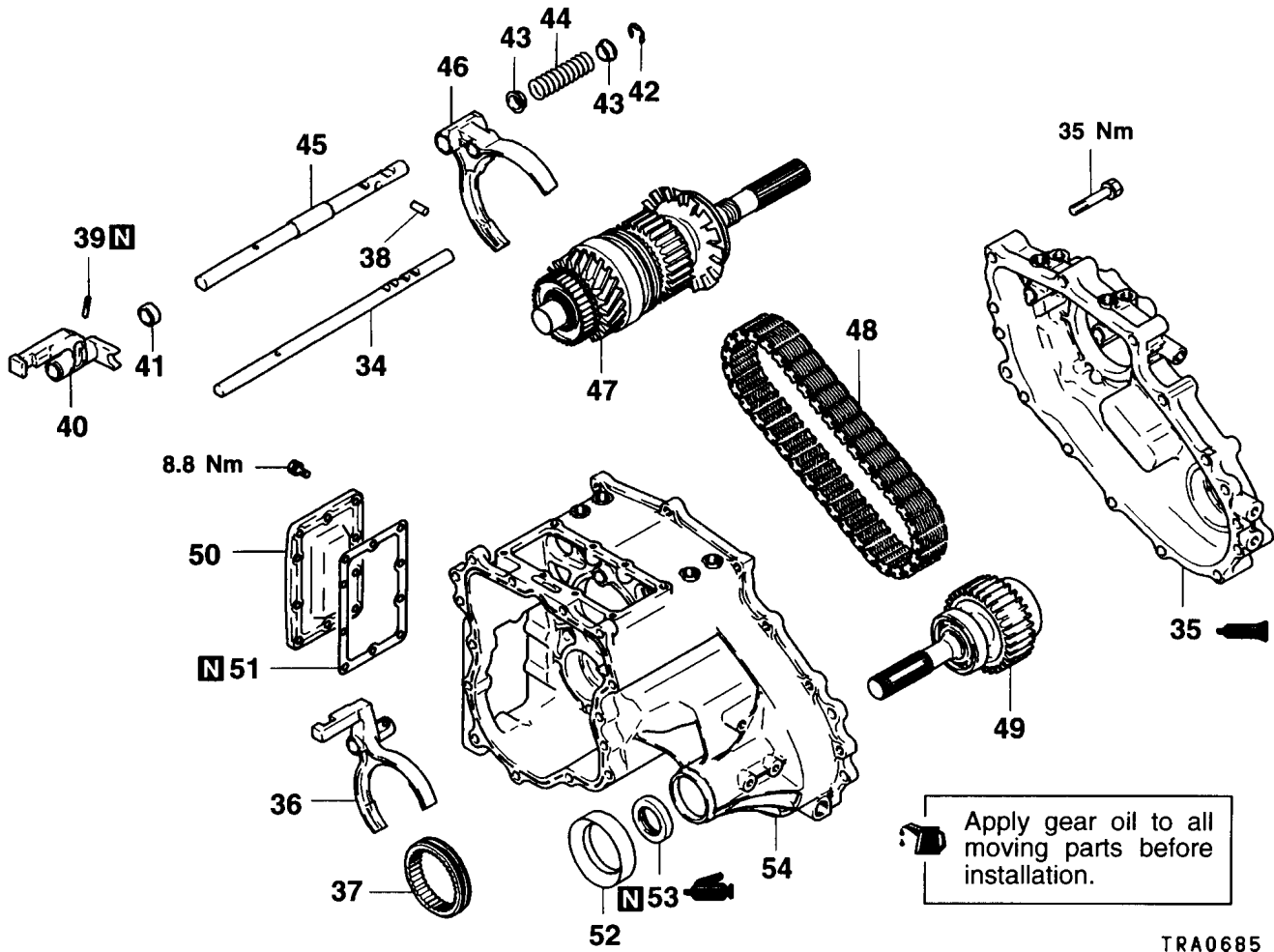
9. Plug
10. Spring
11. Steel ball
12. Plug
13. Plug
14. Speedometer sleeve clamp
15. Speedometer gear



Disassembly steps

- ▶N◀ 16. Transfer case plate
- ▶M◀ 17. Needle bearing
- ▶L◀ 18. Countershaft gear
- ▶K◀ 19. Spacer
- ▶J◀ 20. Plug
- ▶I◀ 21. H-L shift rail plug
- ▶H◀ 22. Low switch
- ▶G◀ 23. Gasket
- ▶F◀ 24. Dynamic damper

- ▶E◀ 25. Harness bracket
- ▶D◀ 26. Control housing
- ▶C◀ 27. Support pin
- ▶B◀ 28. Return spring
- ▶A◀ 29. Rear cover
- ▶Z◀ 30. Spacer
- ▶Y◀ 31. Dust seal guard
- ▶X◀ 32. Oil seal
- ▶W◀ 33. Spring pin (H-L shift fork)

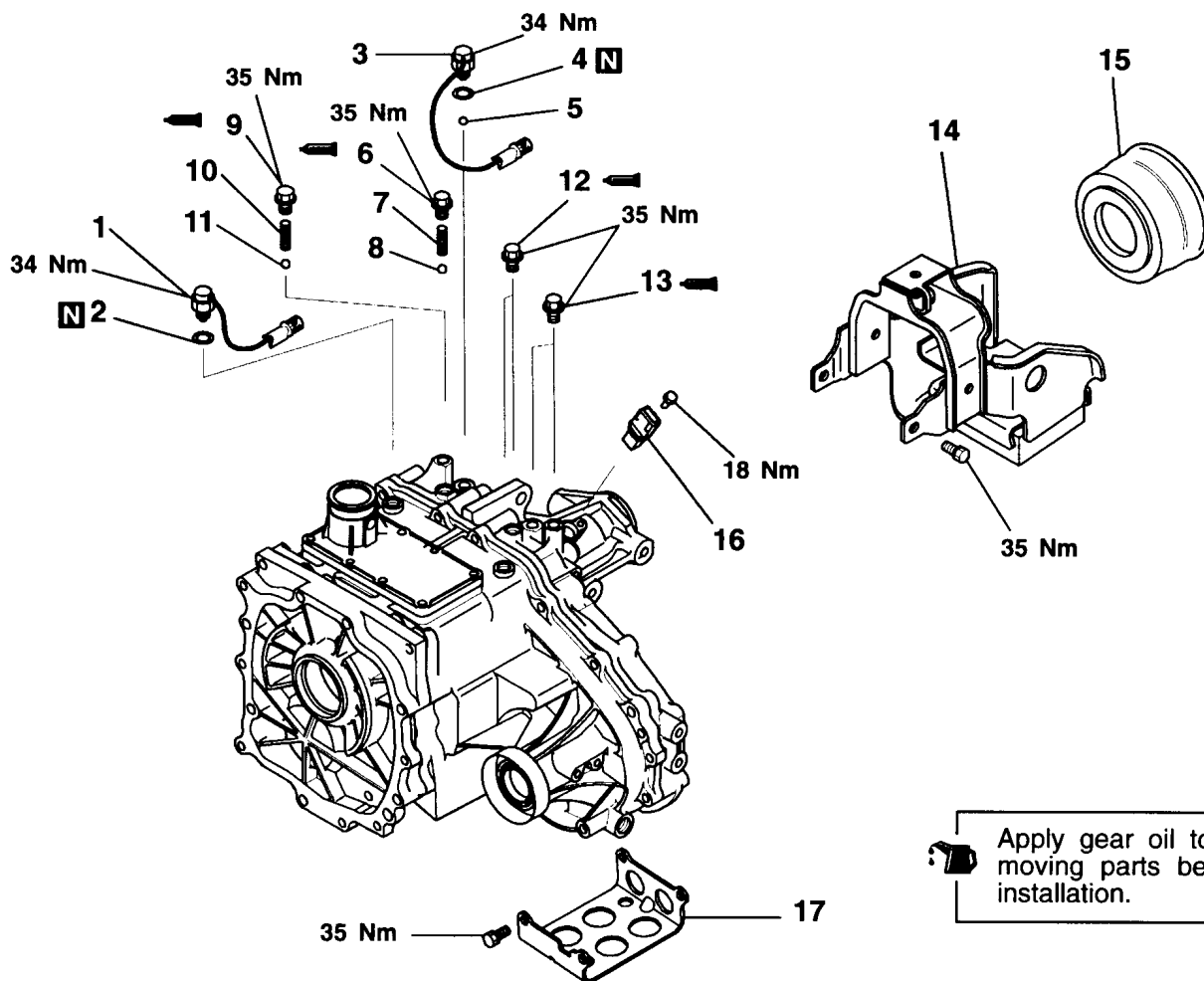


TRA0685

Disassembly steps

- | | | | |
|-----|-----|-----------------------|------------------------|
| ◀A▶ | ▶E◀ | 34. H-L shift rail | 45. 2-4WD shift rail |
| ◀A▶ | ▶D◀ | 35. Chain cover | 46. 2-4WD shift fork |
| | | 36. H-L shift fork | 47. Rear output shaft |
| | | 37. H-L clutch sleeve | 48. Chain |
| ▶D◀ | | 38. Interlock plunger | ▶B◀ ▶B◀ ▶B◀ |
| ▶C◀ | | 39. Spring pin | 49. Front output shaft |
| | | 40. 2-4WD shift lug | 50. Side cover |
| | | 41. Distance piece | 51. Side cover gasket |
| | | 42. E-clip | 52. Dust seal guard |
| | | 43. Spring seat | ▶A◀ |
| | | 44. Spring | 53. Oil seal |
| | | | 54. Transfer case |

DISASSEMBLY AND ASSEMBLY – V4A51-7 PART TIME 4WD

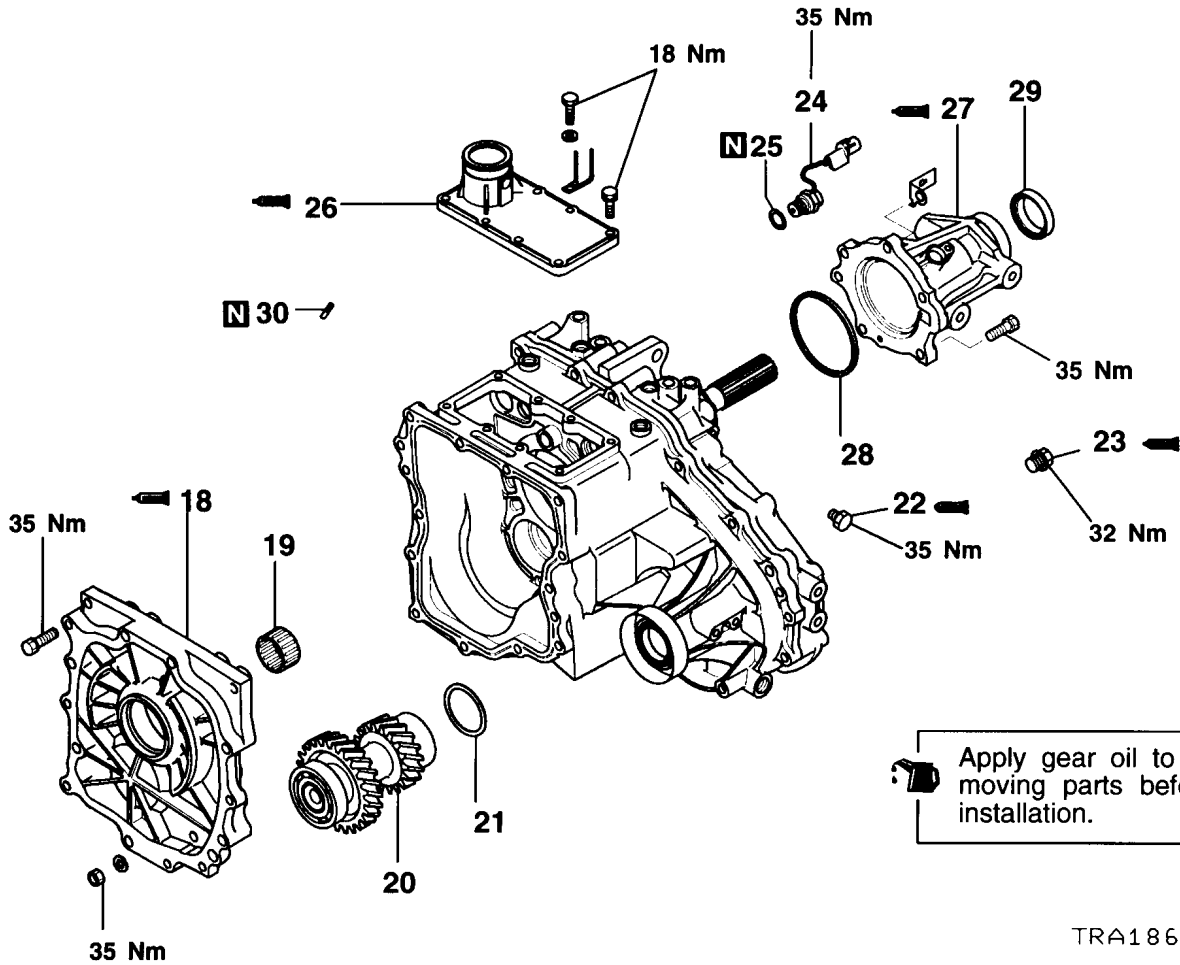


TRA1859

Disassembly steps

- 1. 4WD switch
- 2. Gasket
- 3. Transfer switch
- 4. Gasket
- 5. Steel ball
- ▶L▶ 6. Plug
- ▶P▶ 7. Spring
- ▶L▶ 8. Steel ball
- ▶L▶ 9. Plug

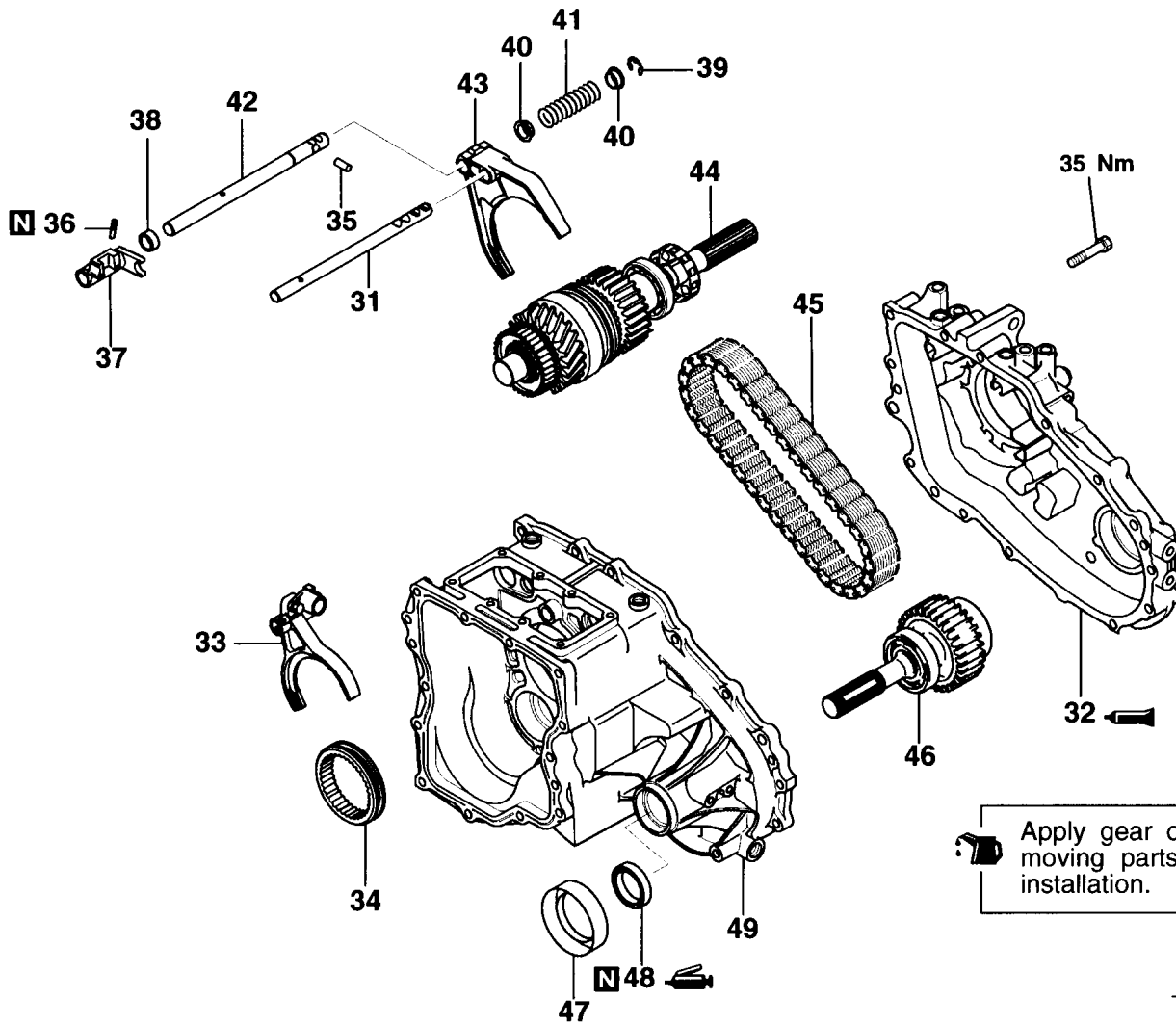
- ▶P▶ 10. Spring
- ▶L▶ 11. Steel ball
- ▶L▶ 12. Plug
- ▶L▶ 13. Plug
- 14. Dynamic damper
- 15. Dust seal guard
- 16. Vehicle speed sensor
- 17. Under guard



Disassembly steps

- ▶N◀ 18. Transfer case plate
- ▶L◀ 19. Needle bearing
- ▶M◀ 20. Countershaft gear
- ▶L◀ 21. Spacer
- ▶L◀ 22. Plug
- ▶K◀ 23. H-L shift rail plug
- ▶L◀ 24. Low switch

- ▶J◀ 25. Gasket
- ▶H◀ 26. Control housing
- ▶G◀ 27. Rear cover
- ▶F◀ 28. Spacer
- ▶E◀ 29. Oil seal
- ▶E◀ 30. Spring pin (H-L shift fork)

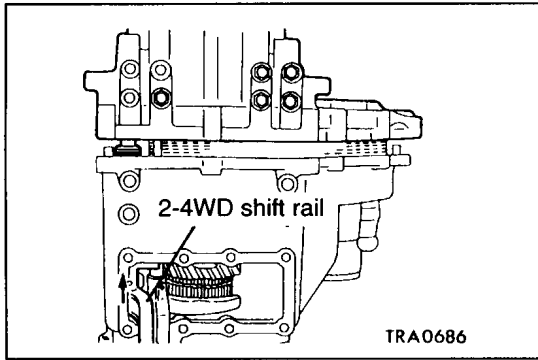


Disassembly steps

- ◀A▶ ▶E▶ 31. H-L shift rail
- ◀A▶ ▶D▶ 32. Chain cover
- ▶D▶ 33. H-L shift fork
- ▶D▶ 34. H-L clutch sleeve
- ▶C▶ ▶D▶ 35. Interlock plunger
- ▶C▶ 36. Spring pin
- ▶C▶ 37. 2-4WD shift lug
- ▶C▶ 38. Distance piece
- ▶C▶ 39. E-clip
- ▶C▶ 40. Spring seat

- ▶B▶ ▶B▶ 41. Spring
- ▶B▶ ▶B▶ 42. 2-4WD shift rail
- ▶B▶ ▶B▶ 43. 2-4WD shift fork
- ▶B▶ ▶B▶ 44. Rear output shaft
- ▶B▶ ▶B▶ 45. Chain
- ▶B▶ ▶B▶ 46. Front output shaft
- ▶A▶ ▶B▶ 47. Dust seal guard
- ▶A▶ ▶B▶ 48. Oil seal
- ▶A▶ ▶B▶ 49. Transfer case

Intentionally blank



DISASSEMBLY SERVICE POINTS

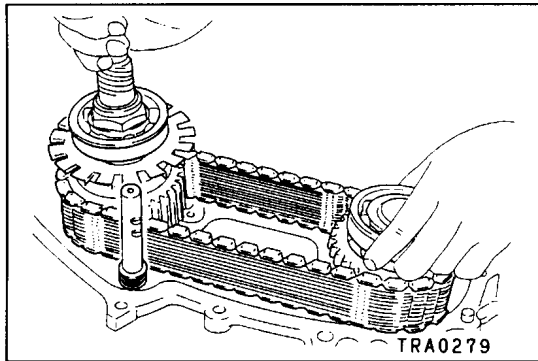
◀A▶ H-L SHIFT RAIL / CHAIN COVER REMOVAL

1. Shift the 2-4WD shift rail to the 4WD position.

NOTE

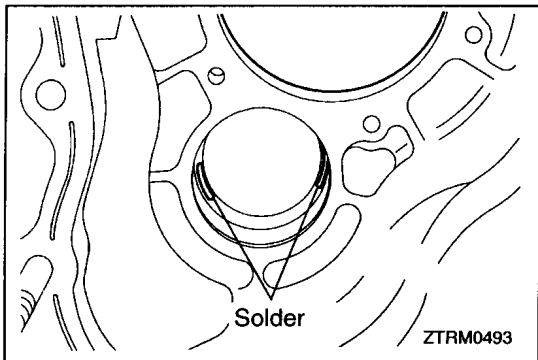
If the 2-4WD shift rail is at the 2WD position, the chain cover cannot be removed because interlock is actuated.

2. Remove the chain cover, and then remove the H-L shift rail.



◀B▶ REAR OUTPUT SHAFT / CHAIN / FRONT OUTPUT SHAFT REMOVAL

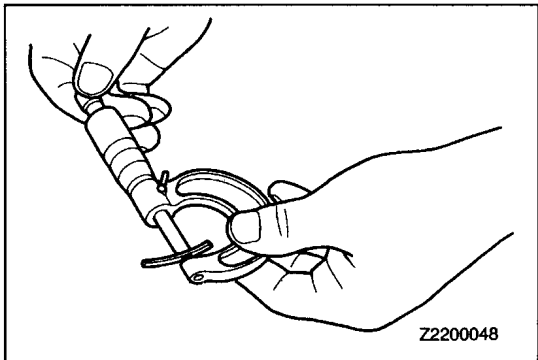
Remove the rear output shaft, chain and front output shaft as a set.



ADJUSTMENT BEFORE ASSEMBLY

SPACER SELECTION FOR ADJUSTMENT OF COUNTERSHAFT GEAR END PLAY

1. Place pieces of solder (approximately 10 mm in length and 1.6 mm in diameter) in the transfer case housing as shown.
2. Install the countershaft gear into the transfer case.
3. Install the transfer case plate and tighten the bolts.

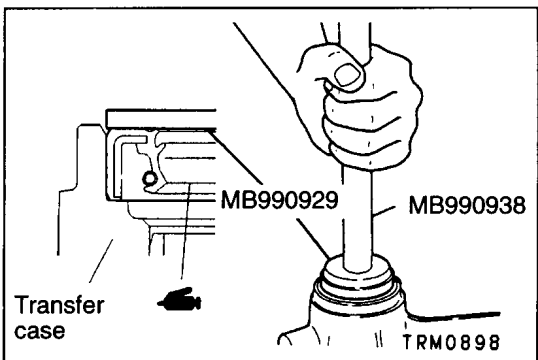


4. Using a micrometer, measure the thickness of the crushed solder. Based on the result, select a spacer which adjusts the end play to the standard value shown below:

Standard value: 0 – 0.15 mm

NOTE

If the solder is not crushed, repeat steps 1 and 2 using thicker pieces of solder.



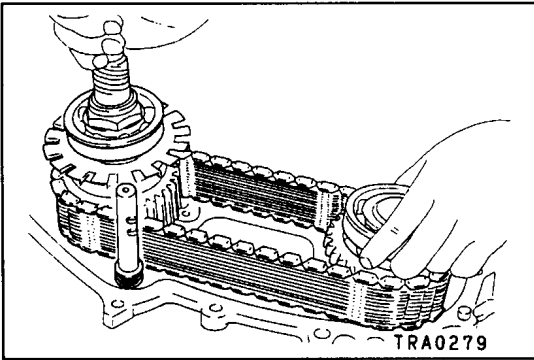
ASSEMBLY SERVICE POINTS

▶A◀ OIL SEAL INSTALLATION

1. Use the special tools to install the oil seal.
2. Apply grease to the lip of the oil seal.

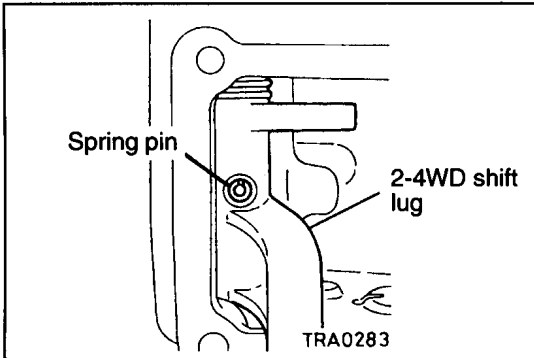
Specified grease:

MITSUBISHI genuine grease Part No. 0101011 or equivalent



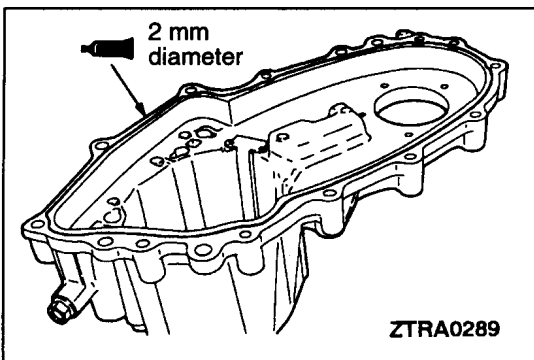
►B◄ FRONT OUTPUT SHAFT / CHAIN / REAR OUTPUT SHAFT INSTALLATION

1. Engage the chain precisely with the sprockets of the rear output shaft and the front output shaft.
2. Install the 2-4WD shift fork on the 2-4WD clutch sleeve. While sliding the shift fork over the 2-4WD shift rail, install the front output shaft, chain and rear output shaft.



►C◄ SPRING PIN INSTALLATION

1. Align the spring pin hole in the 2-4WD shift lug with that in the 2-4WD shift rail.
2. Hammer in the spring pin so that the spring pin slit matches the center axis of the shift rail shaft.



►D◄ INTERLOCK PLUNGER / CHAIN COVER INSTALLATION

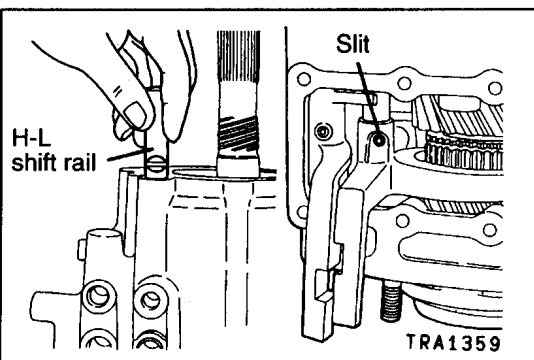
1. Insert the interlock plunger into the chain cover hole up to a position where it does not interfere with 2-4WD shift rail.
2. Apply sealant to the chain cover, and then install the chain cover.

Specified sealant:

MITSUBISHI genuine sealant Part No. MD997740 or equivalent

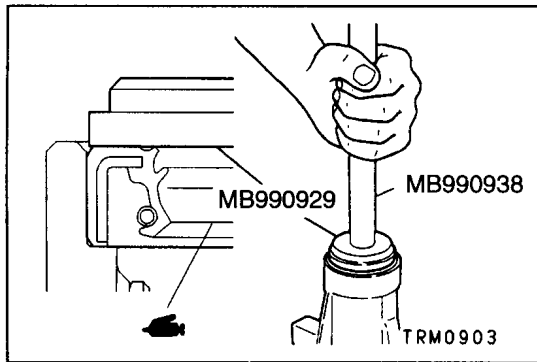
Caution

- Squeeze the sealant out evenly to apply it in an unbroken, non-excessive quantity.



►E◄ H-L SHIFT RAIL / SPRING PIN INSTALLATION

1. Insert the H-L shift rail into the H-L shift rail hole, paying attention to the direction of the shift rail.
2. Align the spring pin holes in the shift rail and the shift fork. Then tap in the spring pin so that the slit of the spring pin is facing the center axis of the shift rail.

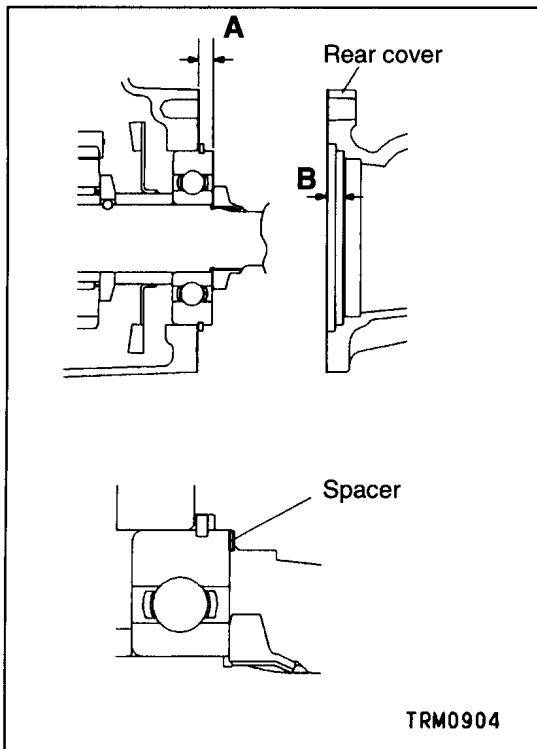


▶F◀ OIL SEAL INSTALLATION

1. Use the special tools to install the oil seal.
2. Apply grease to the lip of oil seal.

Specified grease:

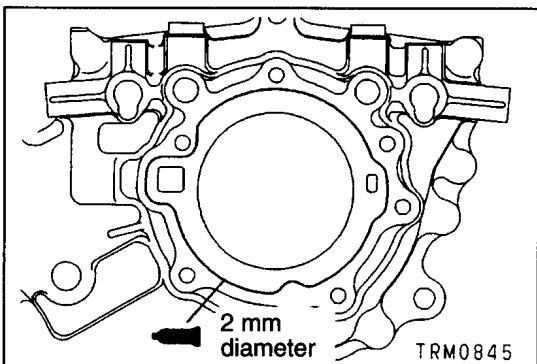
MITSUBISHI genuine grease Part No. 0101011 or equivalent



▶G◀ SPACER INSTALLATION

1. Measure projection "A" of the rear output shaft bearing and depth "B" of the second stage of the rear cover.
2. Subtract "A" from "B" and let the answer be "C." Select a spacer so that the subtracted value will be the standard value shown below.

Standard value: 0 – 0.1 mm

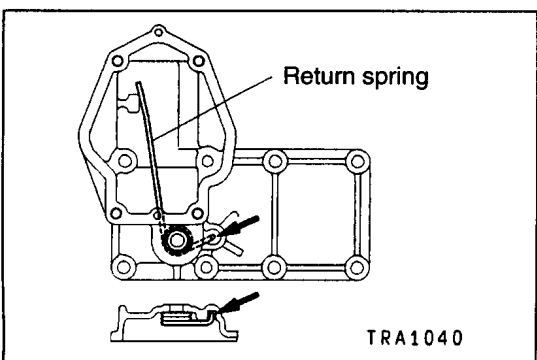


▶H◀ REAR COVER INSTALLATION

Apply sealant to the chain cover.

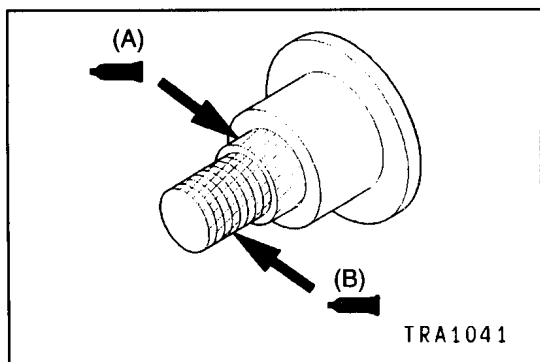
Specified sealant:

MITSUBISHI genuine sealant Part No. MD997740 or equivalent



▶I◀ RETURN SPRING / SUPPORT PIN INSTALLATION

1. Insert the bent section of the return spring into the control housing as shown.



2. Apply sealant to the support pin.

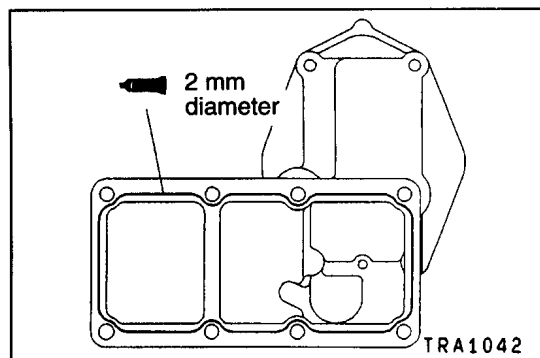
Specified sealant:

3M™ AAD Part No. 8672 or equivalent (A)

MITSUBISHI genuine adhesive

Part No. MB160450 or equivalent (B)

3. Insert the support pin and install the nut.

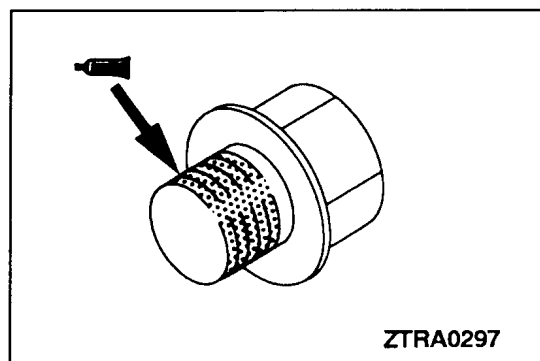


►J◄ CONTROL HOUSING INSTALLATION

2. Apply sealant to the control housing.

Specified sealant:

**MITSUBISHI genuine sealant Part No. MD997740
or equivalent**



►K◄ H-L SHIFT RAIL PLUG INSTALLATION

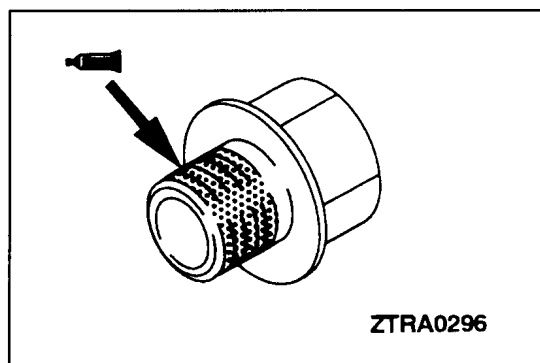
Apply sealant to the threads.

Specified sealant:

3M™ AAD Part No. 8672 or equivalent

NOTE

The new plug is precoated with sealant, so sealant does not need to be applied.



►L◄ PLUG INSTALLATION

Apply sealant to the threads.

Specified sealant:

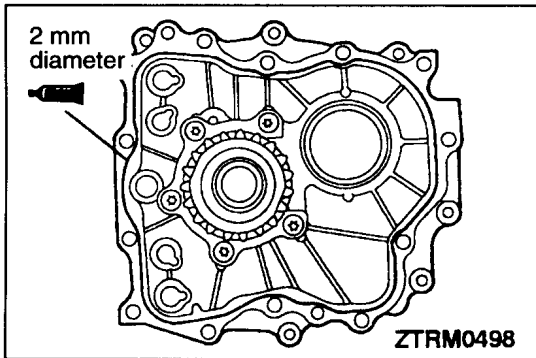
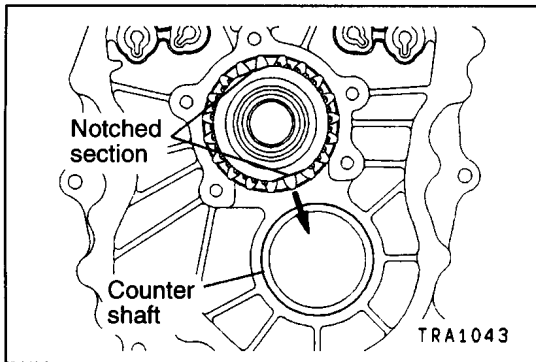
3M™ AAD Part No. 8672 or equivalent

NOTE

The new plug is precoated with sealant, so sealant does not need to be applied.

►M◄ SPACER INSTALLATION

Install the previously selected spacer (see "ADJUSTMENT BEFORE ASSEMBLY").



►N◄ TRANSFER CASE PLATE INSTALLATION

1. Face the notched section of the input gear in the direction shown in the illustration.

2. Apply sealant to the transfer case plate.

Specified sealant:

MITSUBISHI genuine sealant Part No. MD997740 or equivalent

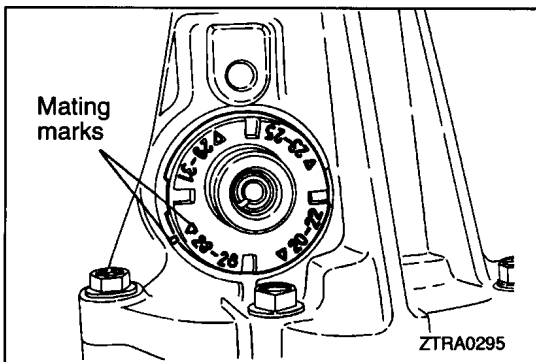
Caution

- Apply sealant evenly. Too much or too little sealant may cause leaks and/or damage to the components.

3. Install the transfer case plate together with the input gear. Slide the input gear tooth aligned in Step 1 along the tooth space of the countershaft gear.

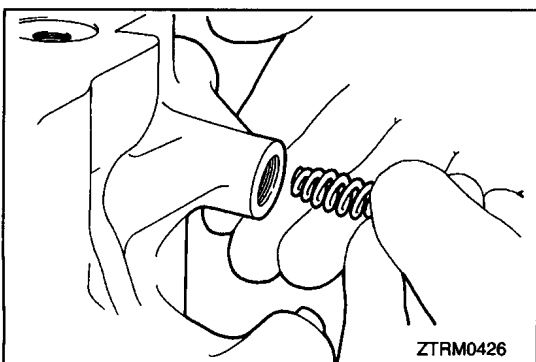
Caution

- The transfer case plate must be installed smooth and straight to get a good seal.



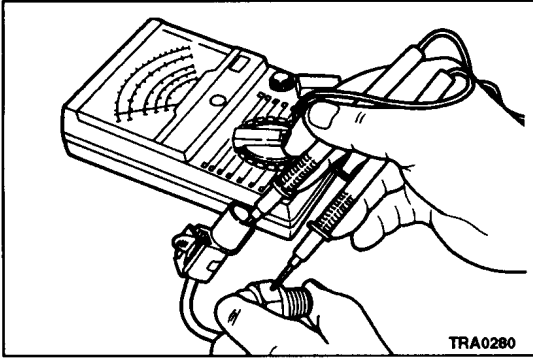
►O◄ SPEEDOMETER GEAR INSTALLATION

Match the mating marks to the number of teeth.



►P◄ SPRING INSTALLATION

Install the spring with its tapered end toward the ball.

**INSPECTION****2-4WD, H-L DETECTION SWITCH**

Check for the continuity between the connector terminal and switch body.

Switch state	Continuity
Switch end pressed	No
Switch end released	Yes

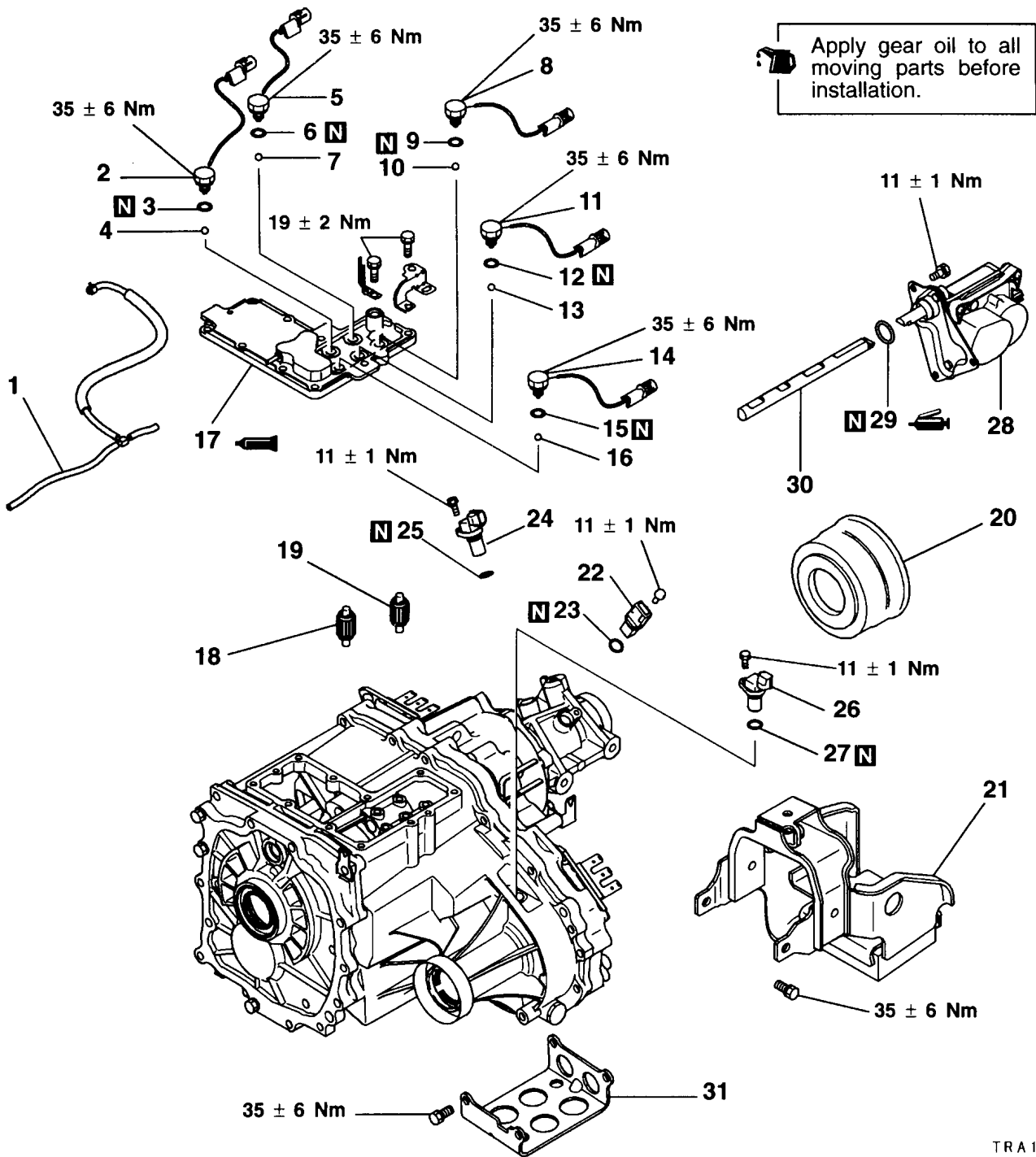
LOW RANGE OPERATION DETECTION SWITCH

Check for the continuity between the connector terminal and switch body.

Switch state	Continuity
Switch end pressed	Yes
Switch end released	No

14a. TRANSFER <V4A51 – Super Select 4WD II>

DISASSEMBLY AND ASSEMBLY

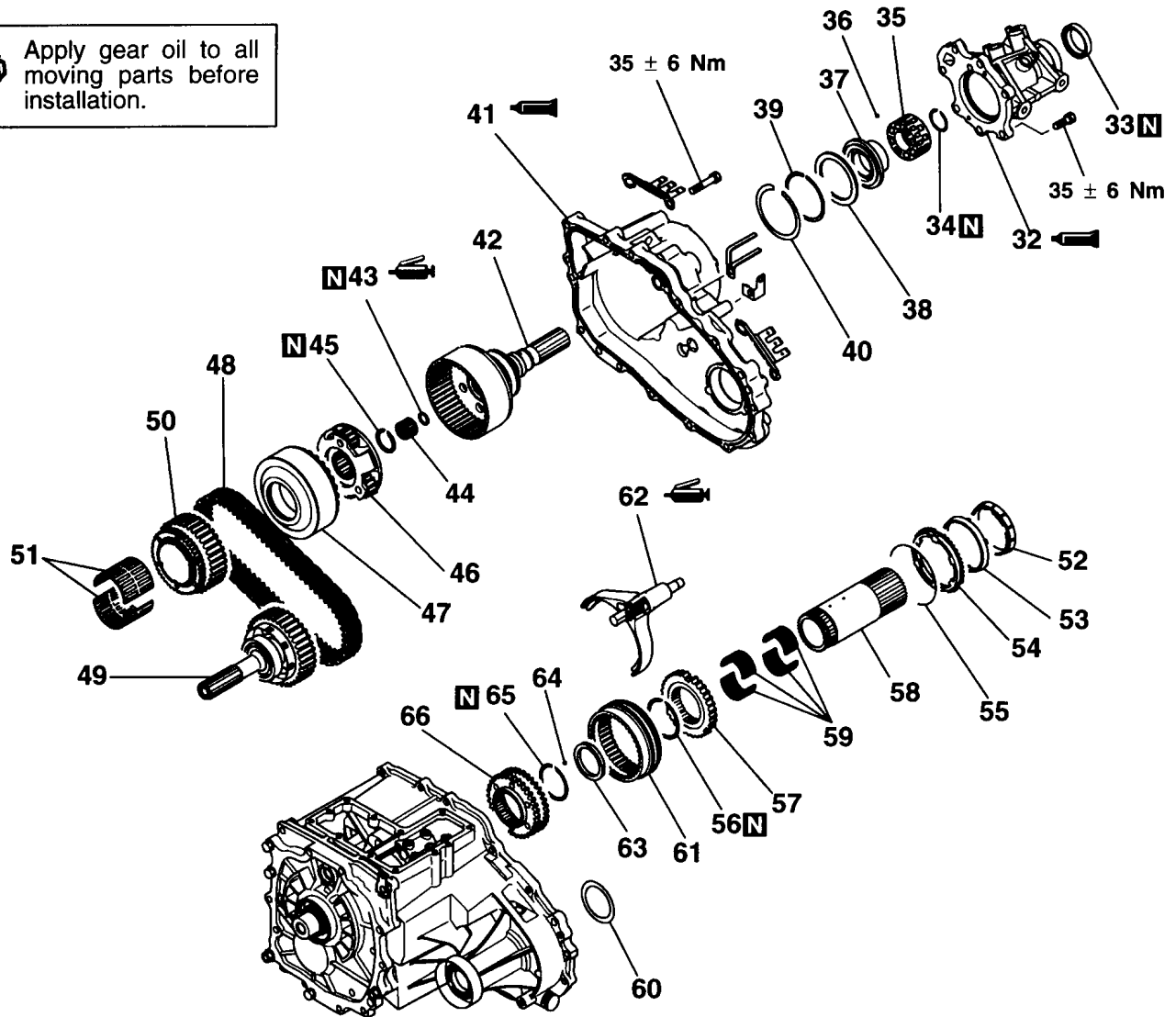


TRA1850

Disassembly steps

- | | | | |
|-----|------------------------------------|-----|---------------------------|
| ▶W◀ | 1. Vacuum hose | ▶V◀ | 17. Transfer case cover |
| ▶W◀ | 2. 4LLC switch | ▶U◀ | 18. Shift rail drive gear |
| | 3. Gasket | ▶U◀ | 19. Shift rail drive gear |
| ▶W◀ | 4. Steel ball | | 20. Dust seal guard |
| ▶W◀ | 5. 2WD switch | | 21. Dynamic damper |
| | 6. Gasket | | 22. Vehicle speed sensor |
| | 7. Steel ball | | 23. O-ring |
| ▶W◀ | 8. Center differential lock switch | | 24. Rear output sensor |
| | 9. Gasket | | 25. O-ring |
| | 10. Steel ball | | 26. Front output sensor |
| ▶W◀ | 11. 4H switch | | 27. O-ring |
| | 12. Gasket | ▶T◀ | 28. Shift actuator |
| | 13. Steel ball | | 29. O-ring |
| ▶W◀ | 14. 2WD-4WD switch | ▶T◀ | 30. Main shift rail |
| | 15. Gasket | | 31. Under guard |
| | 16. Steel ball | | |

Apply gear oil to all moving parts before installation.

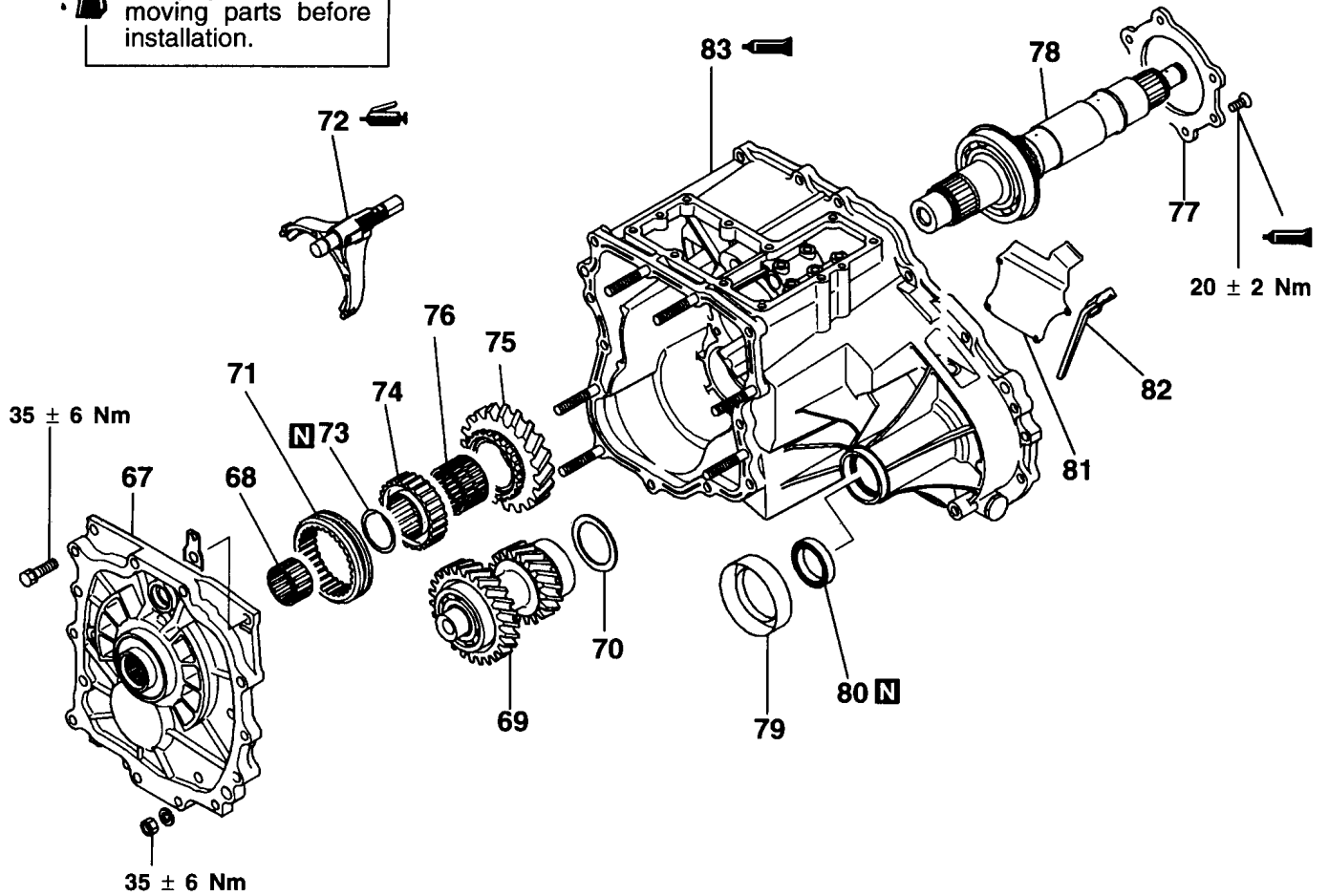


TRA1776

Disassembly steps

- | | | | |
|-----|---|-------------|-----------------------------|
| ▶S◀ | 32. Rear cover | ▶M◀ | 50. Drive sprocket |
| ▶R◀ | 33. Oil seal | 51. Bearing | |
| | 34. Snap ring | ▶L◀ | 52. Synchronizer inner ring |
| | 35. Sensor rotor | ▶L◀ | 53. Synchronizer cone |
| | 36. Steel ball | ▶L◀ | 54. Synchronizer outer ring |
| | 37. Oil guide | | 55. Synchronizer spring |
| ▶Q◀ | 38. Spacer | ▶K◀ | 56. Snap ring |
| | 39. Snap ring | | 57. 2-4WD clutch hub |
| ▶P◀ | 40. Snap ring | ◀A▶ | 58. Sun gear |
| ▶O◀ | 41. Chain cover | | 59. Bearing |
| ▶N◀ | 42. Rear output shaft | | 60. Wave spring |
| | 43. O-ring | ▶J◀ | 61. 2-4WD clutch sleeve |
| | 44. Bearing | ▶J◀ | 62. 2-4WD shift fork |
| | 45. Snap ring | ▶I◀ | 63. Spacer |
| | 46. Center differential planetary carrier | ▶I◀ | 64. Steel ball |
| | 47. Viscous coupling | ▶H◀ | 65. Snap ring |
| ◀A▶ | 48. Chain | | 66. Differential lock hub |
| ▶A▶ | 49. Front output shaft | | |

Apply gear oil to all moving parts before installation.

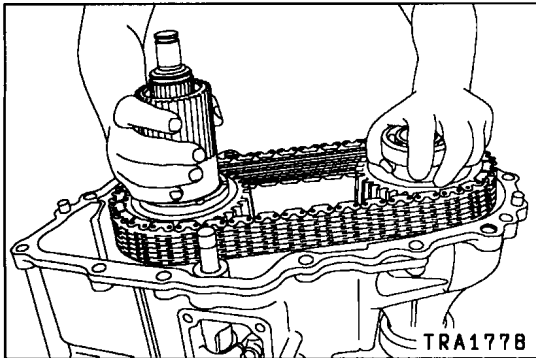


TRA1849

Disassembly steps

- ▶G◀ 67. Transfer case plate
- ▶E◀ 68. Bearing
- ▶E◀ 69. Counter shaft gear
- ▶F◀ 70. Spacer
- ▶E◀ 71. H-L clutch sleeve
- ▶E◀ 72. H-L shift fork
- ▶D◀ 73. Snap ring
- ▶E◀ 74. H-L clutch hub
- ▶E◀ 75. Low speed gear

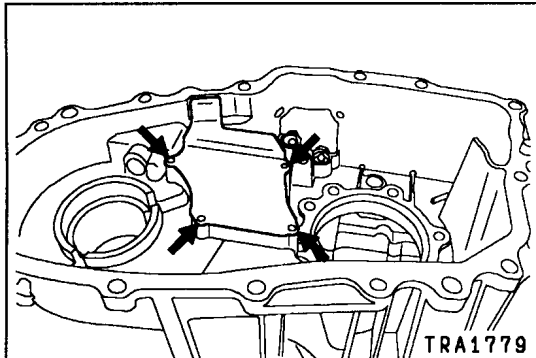
- ▶C◀ 76. Bearing
- ▶C◀ 77. Rear bearing retainer
- ▶C◀ 78. Transfer drive shaft
- ▶C◀ 79. Dust seal guard
- ▶B◀ 80. Oil seal
- ▶A◀ 81. Oil pool cover
- ▶B◀ 82. Oil guide
- ▶B◀ 83. Transfer case



DISASSEMBLY SERVICE POINTS

◀A▶ CHAIN / FRONT OUTPUT SHAFT / SUN GEAR REMOVAL

Remove the chain, front output shaft and sun gear as a set from the transfer case.

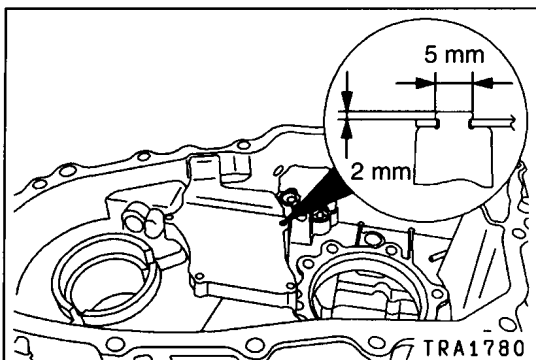


◀B▶ OIL POOL COVER REMOVAL

Unstake the positions shown in the illustration to remove the oil pool cover.

Caution

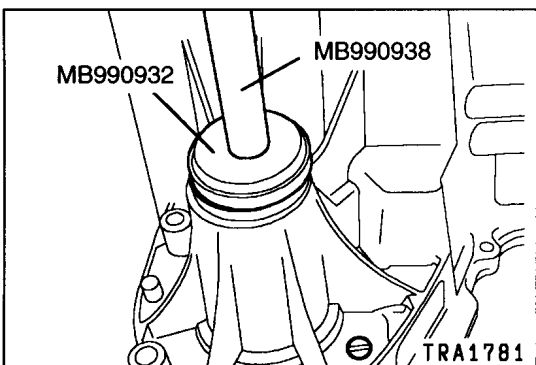
- The oil pool cover normally does not require disassembly. Once it is removed, the transfer case cannot be reused.



ASSEMBLY SERVICE POINTS

▶A◀ OIL POOL COVER INSTALLATION

Install the oil pool cover on a new transfer case. Stake the projecting portions of the transfer so that the dimensions will be as illustrated.

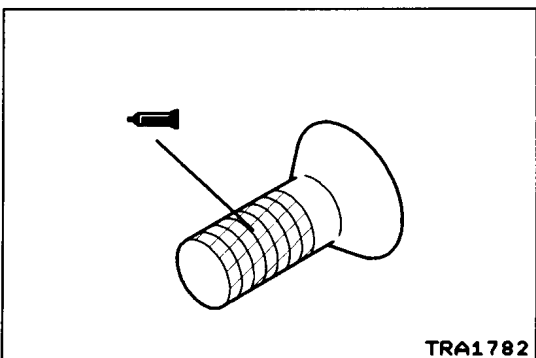


▶B◀ OIL SEAL INSTALLATION

1. Use the special tools to install the oil seal on the transfer case.
2. Apply grease to the lip of the oil seal.

Specified grease:

MITSUBISHI genuine grease part No. 0101011 or equivalent



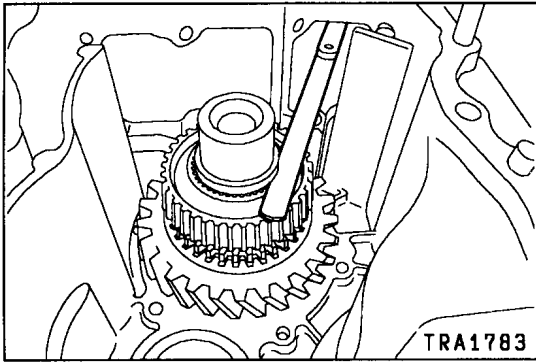
▶C◀ REAR BEARING RETAINER INSTALLATION

The bolts used for mounting the rear bearing retainer are pre-coated ones.

When they are to be reused, apply sealant to the threaded portion before installation.

Specified sealant:

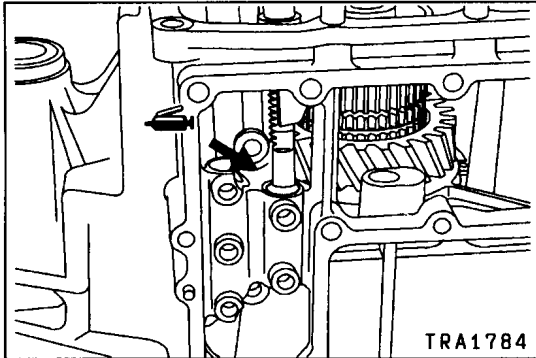
MITSUBISHI genuine sealant part No. MD997740 or equivalent



►D◄ SNAP RING INSTALLATION

Select a proper snap ring so that the end play of the H-L clutch hub will have the standard value, and install the snap ring on the transfer drive shaft.

Standard value: 0 – 0.08 mm

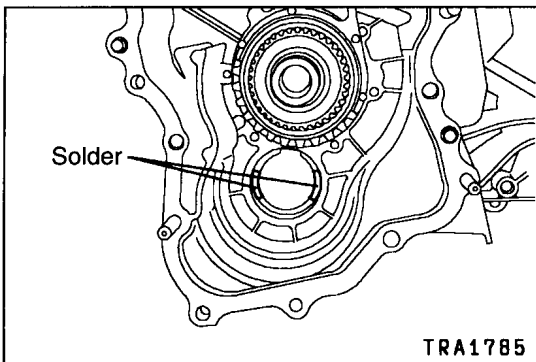


►E◄ H-L SHIFT FORK / H-L CLUTCH SLEEVE INSTALLATION

Apply grease to the H-L shift fork shaft inserting portion, and install the H-L shift fork and H-L clutch sleeve in combined state in the transfer case.

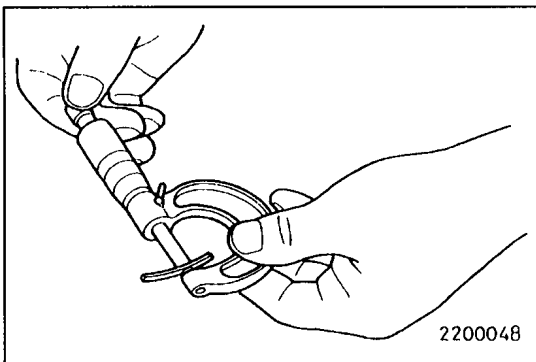
Specified grease:

MITSUBISHI genuine grease part No. 0101011 or equivalent



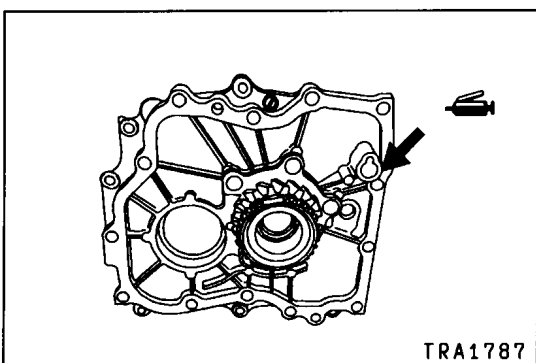
►F◄ SPACER INSTALLATION

1. Put pieces of solder (approx. 10 mm long and 1.6 mm in diameter) at the illustrated positions of the transfer case.
2. Install the countershaft gear and transfer case plate and tighten the bolts to the specified torque.
3. If the pieces of solder are not crushed, put thicker pieces of solder and perform Steps 1 and 2.



4. Measure the thickness of the crushed pieces of solder with a micrometer, and select a spacer of proper thickness so that the end play will have the standard value.

Standard value: 0 – 0.15 mm

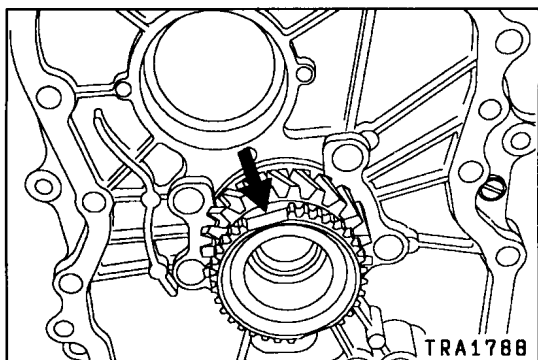


►G◄ TRANSFER CASE PLATE INSTALLATION

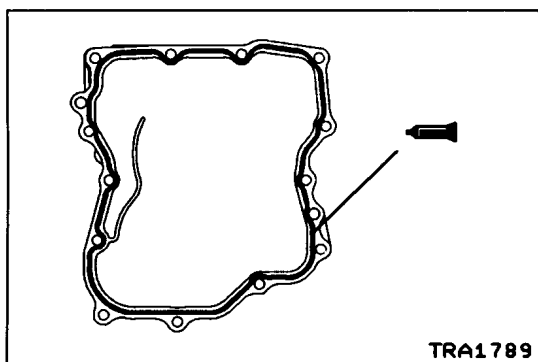
1. Apply grease to the illustrated position of the high/low shift rail inserting portion of the transfer case plate.

Specified grease:

MITSUBISHI genuine grease part No. 0101011 or equivalent



2. Face the notched portion of the input gear in the illustrated direction (in the direction of the countershaft gear bearing hole).



3. Apply sealant to the illustrated position of the transfer case.

Specified sealant:

MITSUBISHI genuine sealant part No. MD997740 or equivalent

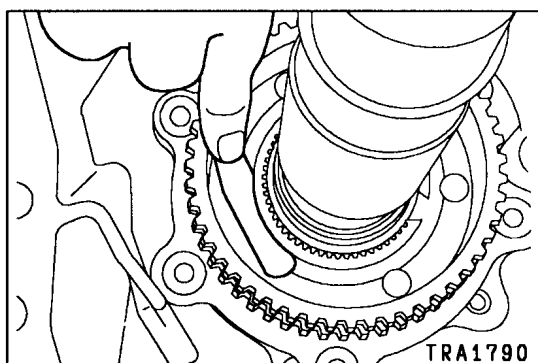
Caution

- Squeeze sealant out evenly to make sure that it is not broken or excessively supplied.

4. While making sure that the notched portion of the input gear positioned in Step 2 is in alignment with the gear portion of the countershaft, install the transfer case plate.

Caution

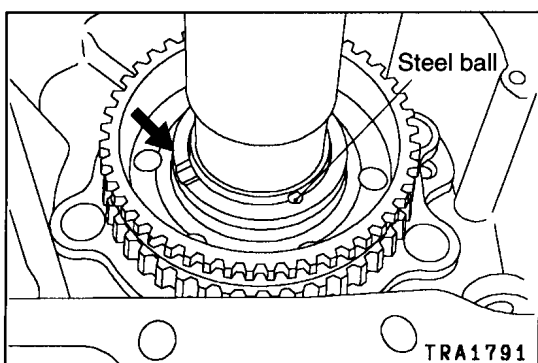
- If the sub gear does not readily come in mesh with the countershaft gear, rotate the transfer drive shaft, etc. to securely engage it.



▶◀ SNAP RING INSTALLATION

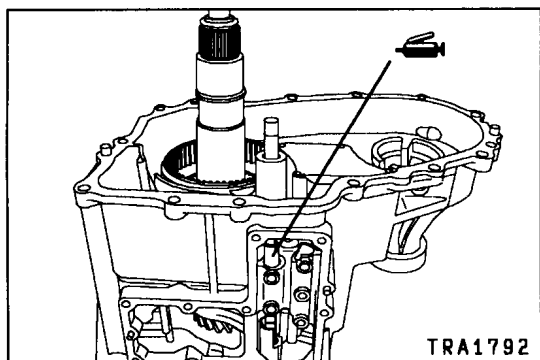
Select a proper snap ring so that the end play of the differential lock hub will have the standard value, and install it on the transfer drive shaft.

Standard value: 0 – 0.08 mm



▶◀ STEEL BALL / SPACER INSTALLATION

Install the steel ball in the illustrated position of the transfer drive shaft and install the spacer with its oil groove toward the chain cover.

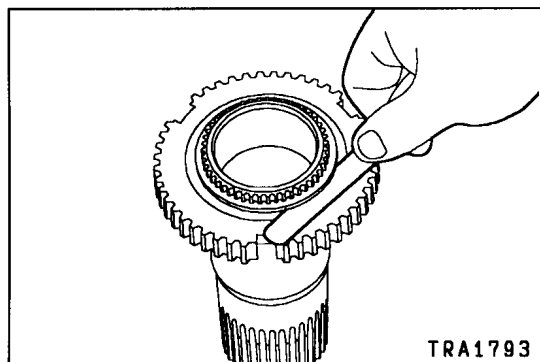


►J◄ 2-4WD SHIFT FORK / 2-4WD CLUTCH SLEEVE INSTALLATION

Apply grease to the 2-4WD shift fork shaft inserting portion and install the 2-4WD shift fork and 2-4WD clutch sleeve in combined state in the transfer case.

Specified grease:

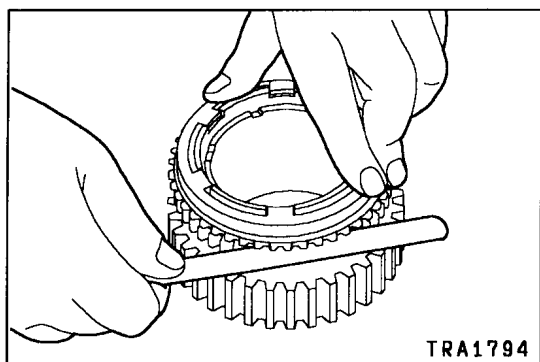
MITSUBISHI genuine grease part No. 0101011 or equivalent



►K◄ SNAP RING INSTALLATION

Select a proper snap ring so that the end play of the 2-4WD clutch hub will have the standard value, and install it on the sun gear.

Standard value: 0 – 0.08 mm

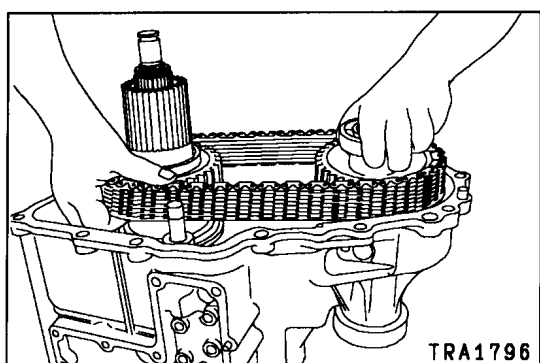
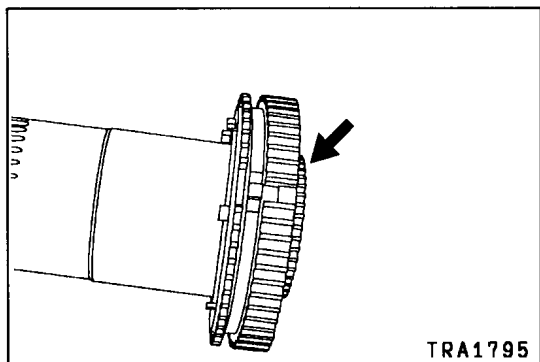


►L◄ SYNCHRONIZER OUTER RING / SYNCHRONIZER CONE / SYNCHRONIZER INNER RING INSTALLATION

1. Combine the synchronizer outer ring, synchronizer cone and synchronizer inner ring, press them against the drive sprocket, and measure the dimension shown in the illustration.

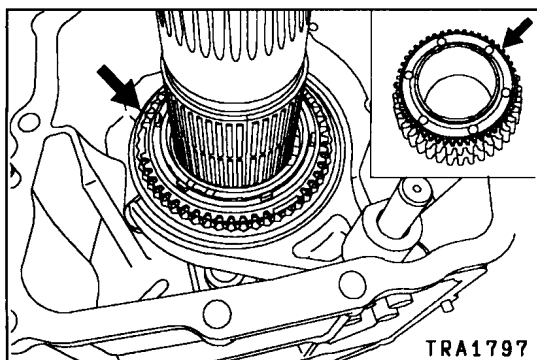
Limit: 0.3 mm

2. If the dimension is out of the limit value, replace them with a synchronizer ring set.
3. Apply gear oil to the synchronizer outer ring and synchronizer inner ring.
4. Line up the notched portion of the 2-4WD clutch hub with the projecting portion of the synchronizer ring and install the ring on the 2-4WD clutch hub.

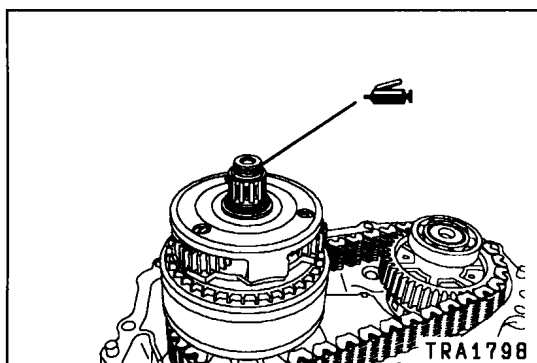


►M◄ DRIVE SPROCKET / FRONT OUTPUT SHAFT / CHAIN INSTALLATION

1. Set the chain in mesh with the drive sprocket and front output shaft sprocket and install them in the transfer case.



2. Install the drive sprocket so that its illustrated holes will match the projecting portions of the synchronizer cone.

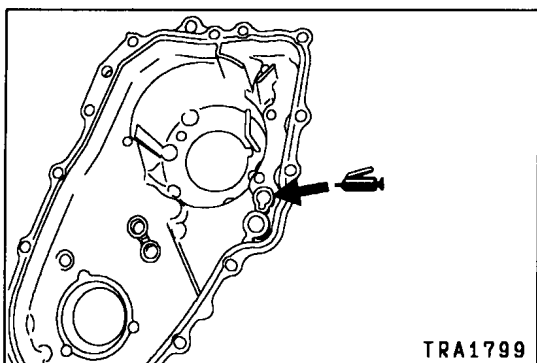


►N◄ REAR OUTPUT SHAFT INSTALLATION

Apply grease to the O-ring at the illustrated position and install the rear output shaft.

Specified grease:

MITSUBISHI genuine grease part No. 0101011 or equivalent

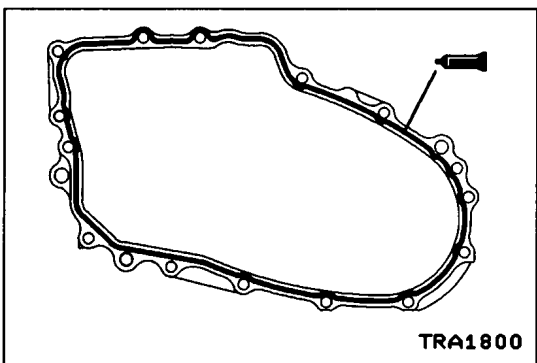


►O◄ CHAIN COVER INSTALLATION

1. Apply grease to the indicated 2-4WD shift rail inserting portion.

Specified grease:

MITSUBISHI genuine grease part No. 0101011 or equivalent



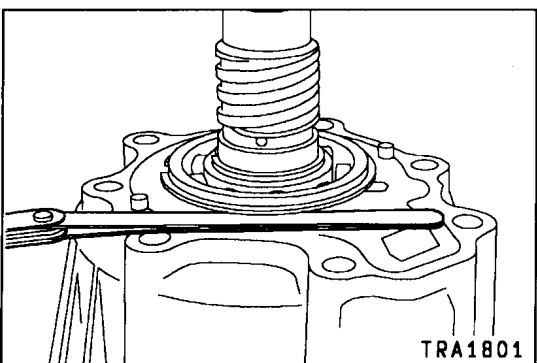
2. Apply a bead of sealant to the illustrated position of the chain cover.

Specified sealant:

MITSUBISHI genuine sealant part No. MD997740 or equivalent

Caution

- Squeeze the sealant out evenly to make sure that it is not broken or excessively supplied.

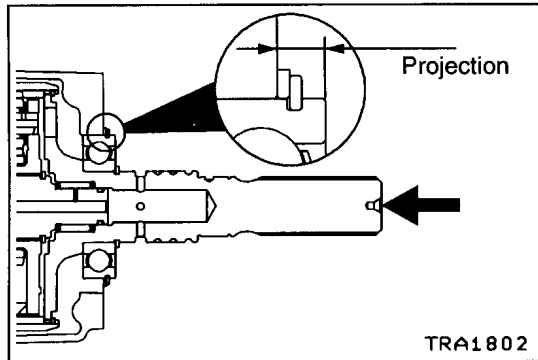


►P◄ SNAP RING ISNTALLATION

1. Install the snap ring in the bearing groove of the rear output shaft.
2. With the rear output shaft pressed against the chain cover, measure the clearance between the chain cover and snap ring.
3. Select a snap ring whose thickness is the dimension of the measured clearance plus the standard value.

Standard value: 0.12 – 0.24 mm

- Remove the snap ring from the bearing groove of the rear output shaft, install the selected snap ring, and reinstall the removed snap ring in the bearing groove of the rear output shaft.

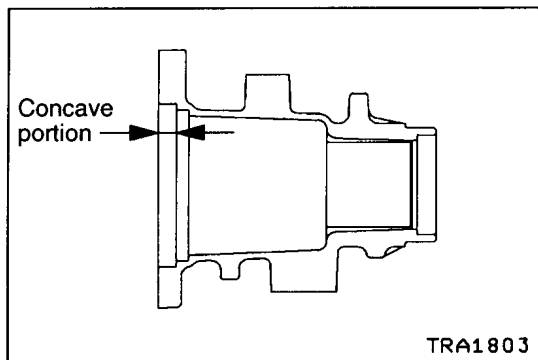


►Q◄ SPACER INSTALLATION

- With the rear output shaft pressed toward the chain cover, measure the projection of the bearing from the chain cover.

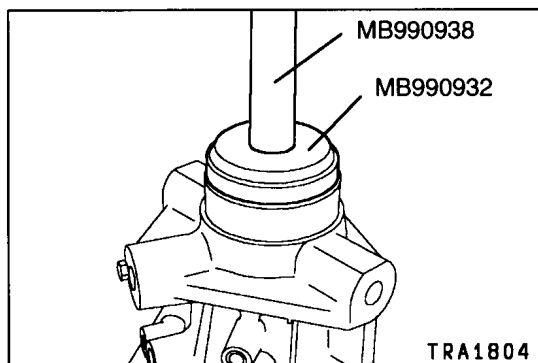
Caution

- Measure the projection with the snap ring installed.



- Measure the dimension of the rear cover concave portion at the illustrated position.
- Subtract the measured value in Step 1 from the measured value in Step 2 to calculate the clearance between the bearing and rear cover. Select a proper spacer so that the clearance will have the standard value.

Standard value: 0 – 0.12 mm

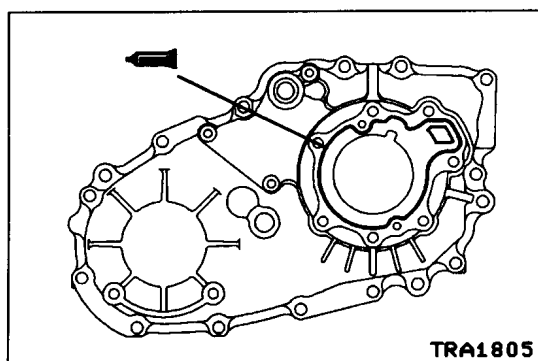


►R◄ OIL SEAL INSTALLATION

- Use the special tools to install the oil seal in the rear cover.
- Apply grease to the lip of the oil seal.

Specified grease:

MITSUBISHI genuine grease part No. 0101011 or equivalent



►S◄ REAR COVER INSTALLATION

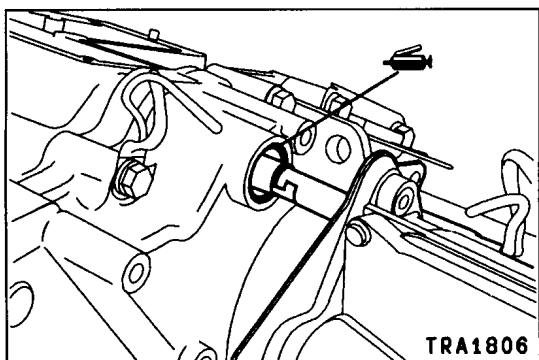
Apply sealant to the illustrated position of the chain cover.

Specified sealant:

MITSUBISHI genuine sealant part No. MD997740 or equivalent

Caution

- Squeeze the sealant out evenly to make sure that it is not broken or excessively supplied.



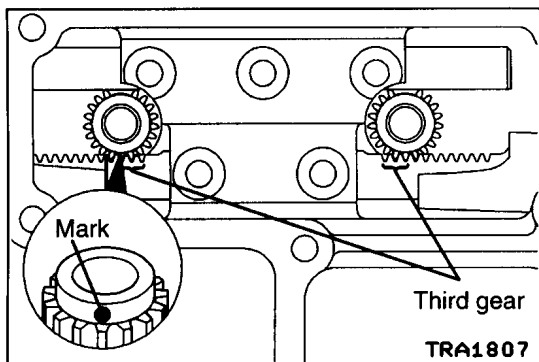
►T◄ MAIN SHIFT RAIL / SHIFT ACTUATOR INSTALLATION

1. Apply grease to the O-ring.

Specified grease:

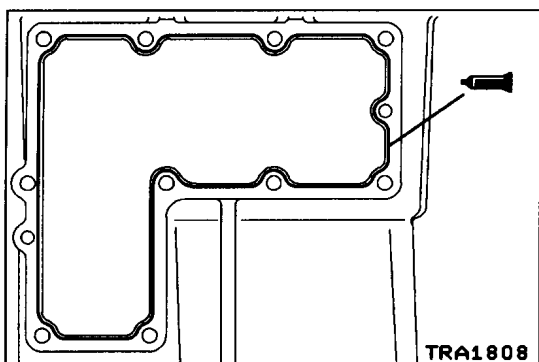
MITSUBISHI genuine grease part No. 0101011 or equivalent

2. Combine the main shift rail key with actuator key and insert them in the transfer case.



►U◄ SHIFT RAIL DRIVE GEAR INSTALLATION

Install the shift rail drive gear with its marked tooth in mesh with the third gear groove of each shift rail.



►V◄ TRANSFER CASE COVER INSTALLATION

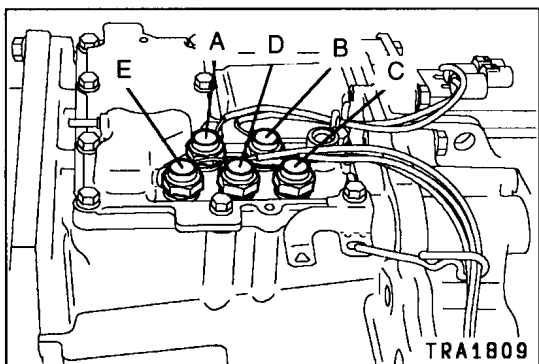
Apply sealant to the illustrated position of the transfer case cover.

Specified sealant:

MITSUBISHI genuine sealant part No. MD997740 or equivalent

Caution

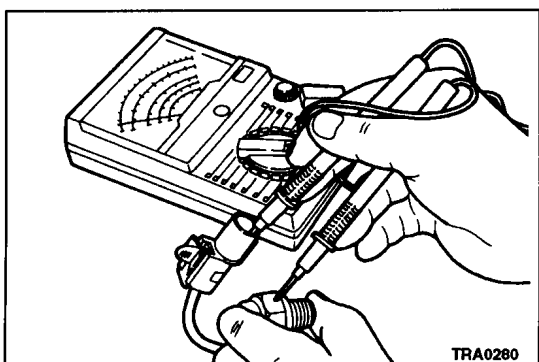
- Squeeze the sealant out evenly to make sure that it is not broken or excessively supplied.



►W◄ SWITCH INSTALLATION

Install the switches in the right positions.

	Switch name	Tube color	Connector color
A	4LLC switch	Black	Brown
B	2WD switch	Black	Black
C	Center differential lock switch	Blue	Brown
D	4H switch	Blue	White
E	2-4WD switch	Blue	Black

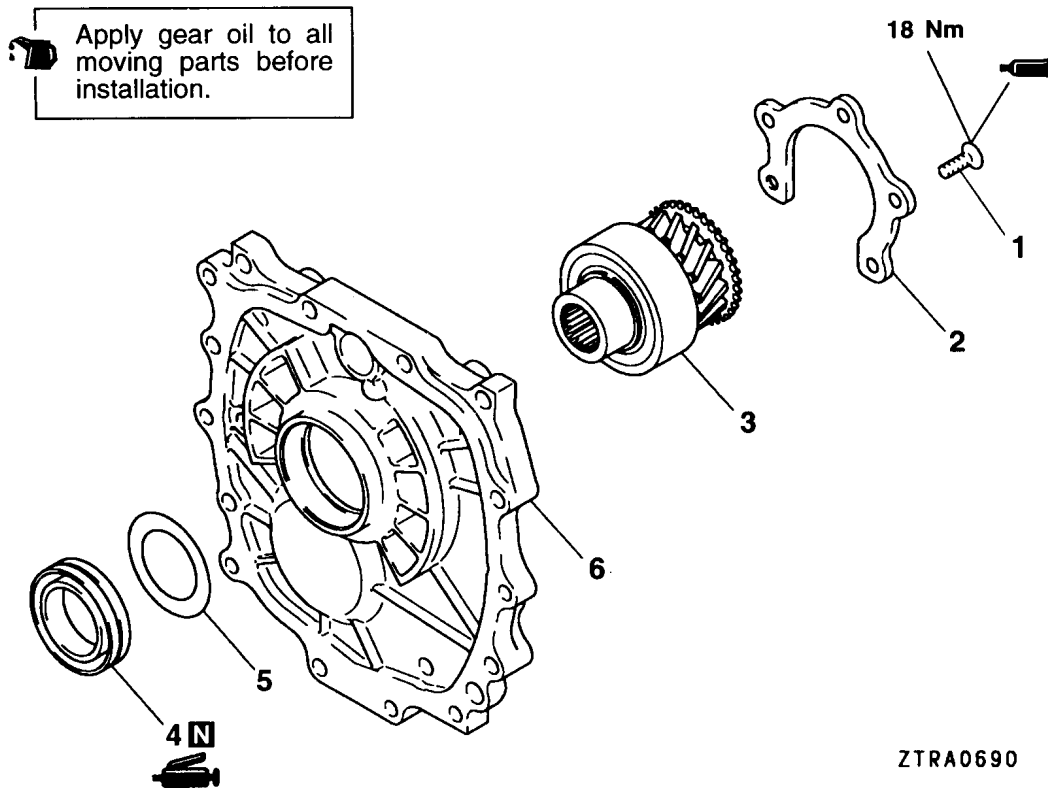


INSPECTION

SWITCHES


Check for the continuity between the connector terminal and switch body. Replace the switch if found faulty.

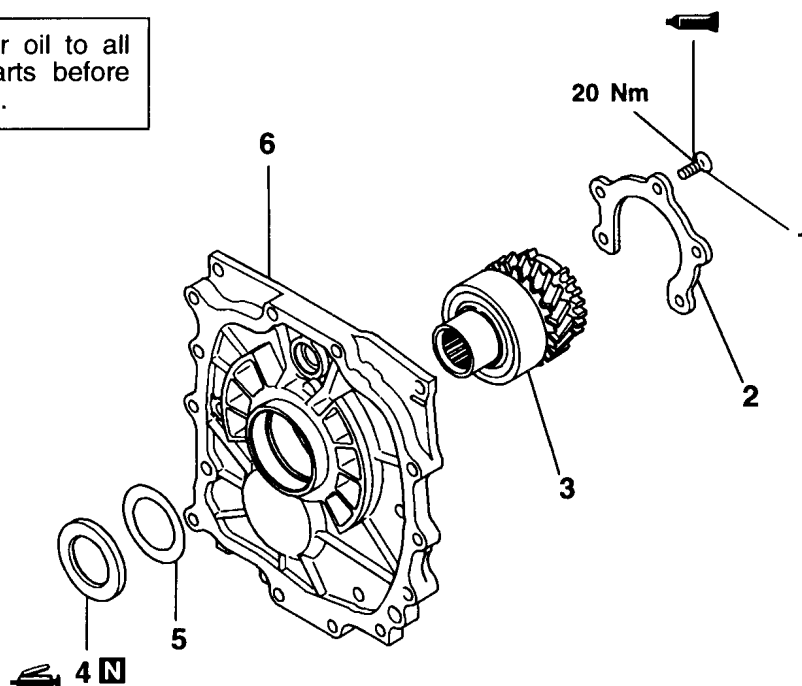
Switch state	Continuity
Switch end pressed	No
Switch end released	Yes

15. TRANSFER CASE PLATE <V4A51>**DISASSEMBLY AND ASSEMBLY <V4A51-5>****Disassembly steps**

- ▶B◀ 1. Bolt
- 2. Bearing retainer
- 3. Transfer input gear
- ▶A◀ 4. Oil seal
- 5. Baffle plate
- 6. Transfer case plate

DISASSEMBLY AND ASSEMBLY <V4A51-7>

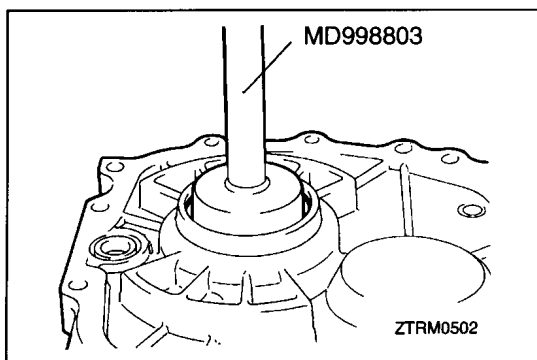
 Apply gear oil to all moving parts before installation.



TRA1848

Disassembly steps

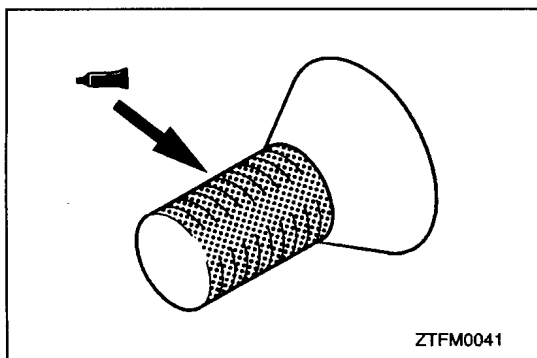
- ▶B◀ 1. Bolt
- 2. Bearing retainer
- 3. Transfer input gear
- ▶C◀ 4. Oil seal
- 5. Baffle plate
- 6. Transfer case plate

**ASSEMBLY SERVICE POINTS****▶A◀ OIL SEAL INSTALLATION**

1. Use the special tool to install the oil seal.
2. Apply grease to the lip of the oil seal.

Specified grease:

MITSUBISHI genuine grease part No. 0101011 or equivalent

**►B◄ BOLT INSTALLATION**

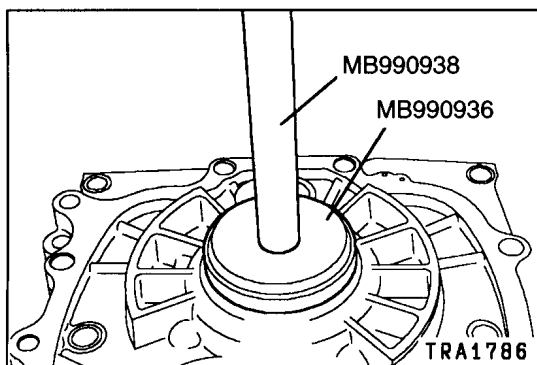
Apply sealant to the threads.

Specified sealant:

MITSUBISHI genuine sealant part No. MD997740 or equivalent

NOTE

New bolts are precoated with sealant, so sealant does not need to be applied.

**►C◄ OIL SEAL INSTALLATION**

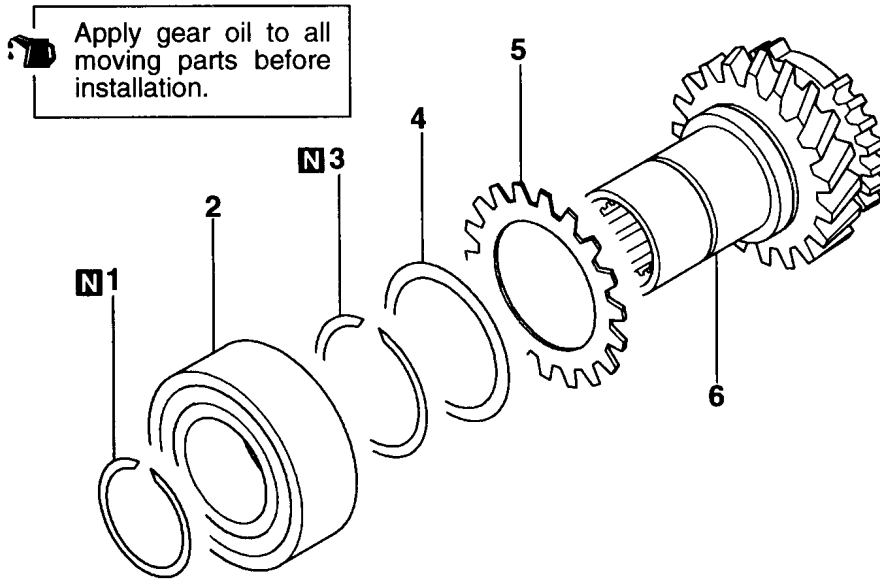
1. Use the special tool to install the oil seal.
2. Apply grease to the lip of the oil seal.

Specified grease:

MITSUBISHI genuine grease part No. 0101011 or equivalent

16. INPUT GEAR <V4A51>

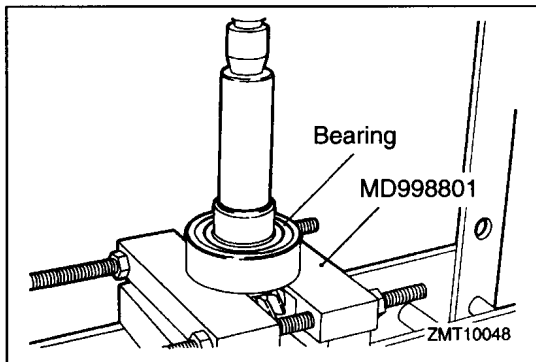
DISASSEMBLY AND ASSEMBLY



TRA1822

Disassembly steps

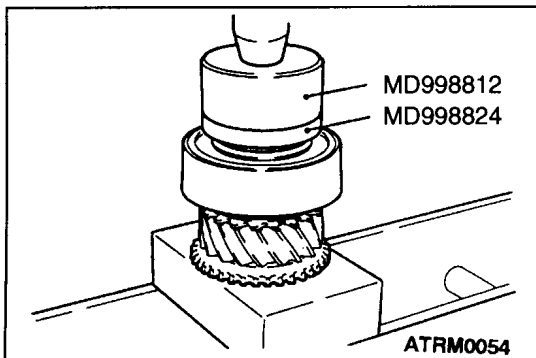
- ◀A▶ ▶B▶ 1. Snap ring
- ▶A▶ 2. Ball bearing
- 3. Snap ring (some model)
- 4. Cone spring (some model)
- 5. Sub gear (some model)
- 6. Transfer input gear



DISASSEMBLY SERVICE POINT

◀A▶ BALL BEARING REMOVAL

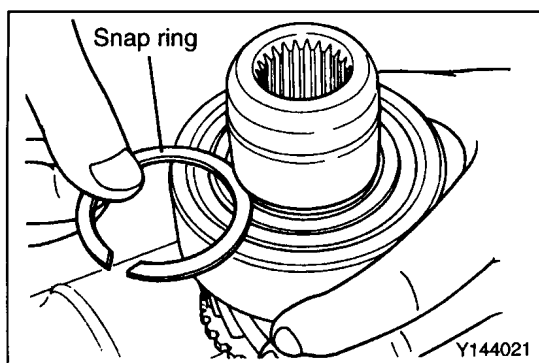
Use the special tool to remove the ball bearing.



ASSEMBLY SERVICE POINTS

▶A▶ BALL BEARING INSTALLATION

Use the special tools to install the ball bearing.


**▶B◀ SNAP RING INSTALLATION**

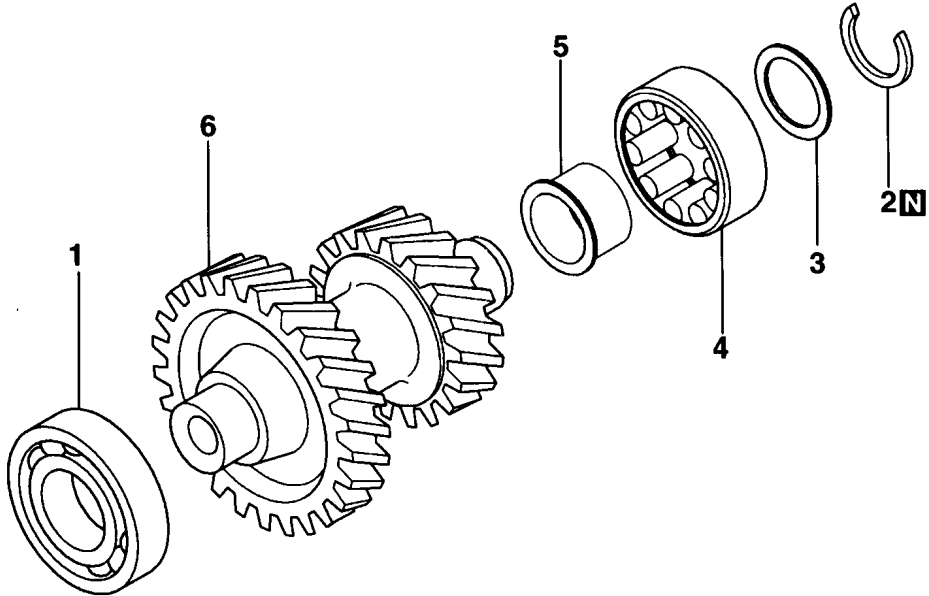
1. Install the thickest snap ring that can be fitted in the snap ring groove of the input gear.
2. Make sure that the ball bearing end play meets the standard value.

Standard value: 0 – 0.06 mm

17. COUNTERSHAFT GEAR <V4A51>







DISASSEMBLY AND ASSEMBLY







 Apply gear oil to all moving parts before installation.

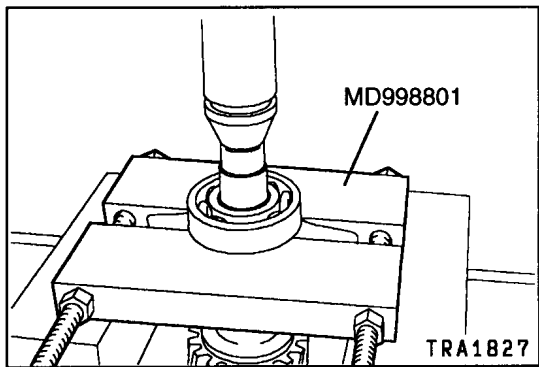


TRA1826

Disassembly steps

-   1. Ball bearing
-   2. Snap ring
-   3. Spacer

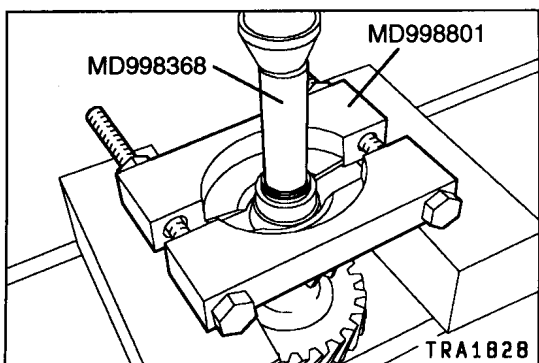
-   4. Roller bearing
-   5. Inner race
-   6. Countershaft gear



DISASSEMBLY SERVICE POINTS

BALL BEARING REMOVAL

Use the special tool to remove the ball bearing.

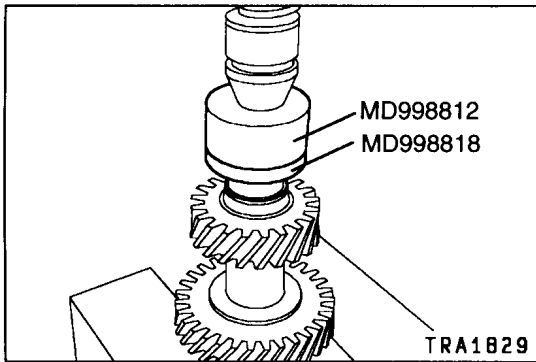


SPACER / ROLLER BEARING / INNER RACE REMOVAL

1. Remove the spacer and roller bearing.
2. Using the special tool, remove the inner race.

NOTE

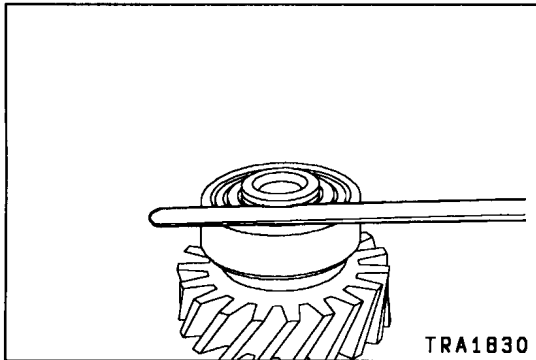
The removal sequence of roller bearing parts vary depending on the direction that the roller bearing was installed. In some cases, the inner race, roller bearing and spacer may have to be simultaneously removed.



ASSEMBLY SERVICE POINTS

▶A◀ INNER RACE / ROLLER BEARING / SPACER INSTALLATION

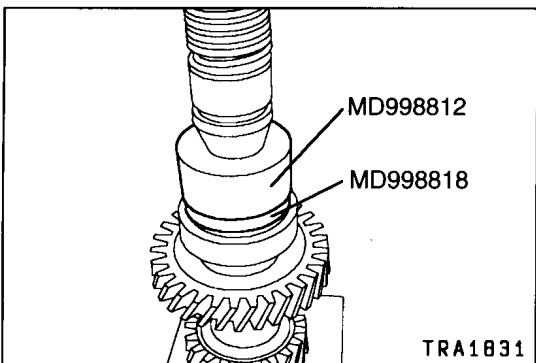
1. Using the special tool, install the inner race.
2. Install the roller bearing and spacer.



▶B◀ SNAP RING INSTALLATION

Install the thickest snap ring that can be fitted in the snap ring groove of the countershaft gear.
Make sure that the roller bearing end play meets the standard value.

Standard value: 0 – 0.08 mm

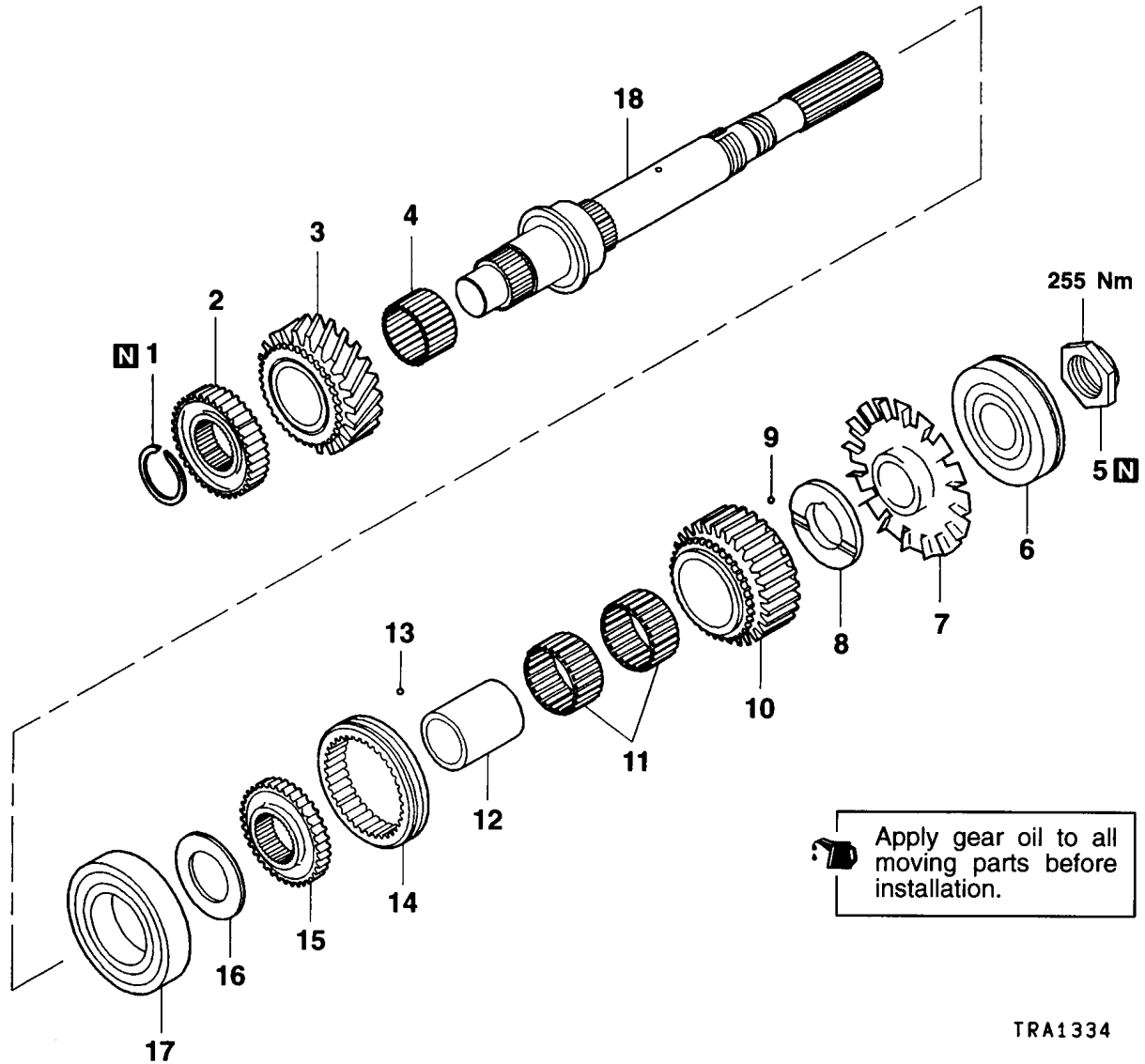


▶C◀ BALL BEARING INSTALLATION

Use the special tools to install the ball bearing.

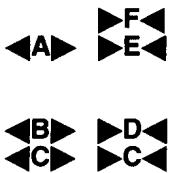
18. REAR OUTPUT SHAFT <V4A51 – Part Time 4WD>

DISASSEMBLY AND ASSEMBLY <V4A51-5>



TRA1334

Disassembly steps

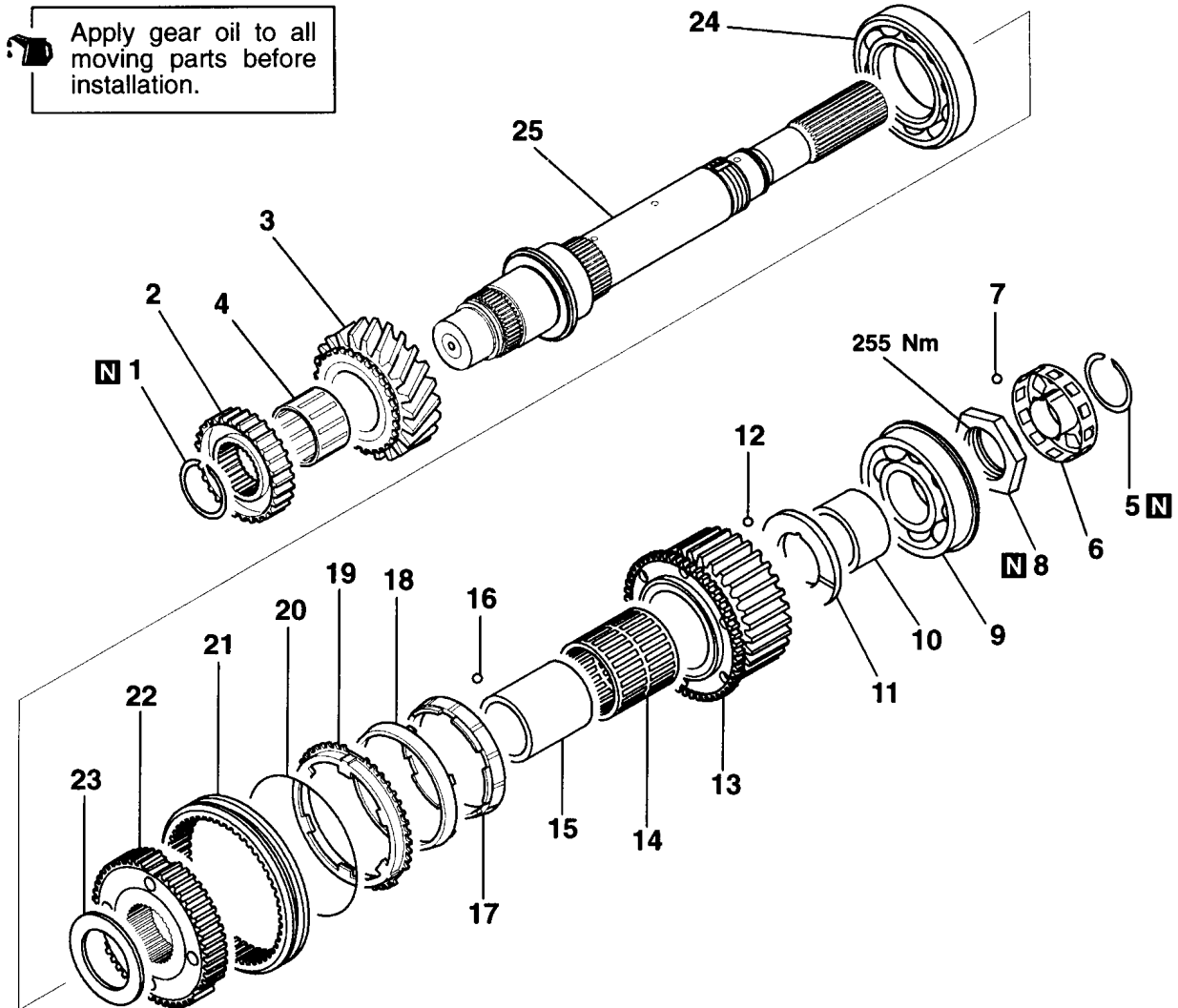


1. Snap ring
2. Clutch hub
3. Low speed gear
4. Needle bearing
5. Jam nut
6. Ball bearing
7. Oil guide
8. Sprocket spacer
9. Steel ball



10. Drive sprocket
11. Needle bearing
12. Sprocket sleeve
13. Steel ball
14. Clutch sleeve
15. Clutch hub
16. Stopper plate
17. Ball bearing
18. Rear output shaft

DISASSEMBLY AND ASSEMBLY <V4A51-7>



TRA1855

Disassembly steps

- | | | | |
|-----|-----|---------------------|-----------------------------|
| ◀A▶ | ▶F▶ | 1. Snap ring | 14. Needle bearing |
| | ▶E▶ | 2. Clutch hub | 15. Sprocket sleeve |
| | | 3. Low speed gear | 16. Steel ball |
| | | 4. Needle bearing | 17. Synchronizer inner ring |
| | | 5. Snap ring | 18. Synchronizer cone |
| | | 6. Rotor | 19. Synchronizer outer ring |
| | | 7. Steel ball | 20. Synchronizer spring |
| ▶B▶ | ▶D▶ | 8. Jam nut | 21. Clutch sleeve |
| ▶C▶ | ▶C▶ | 9. Ball bearing | 22. Clutch hub |
| | | 10. Spacer | 23. Stopper plate |
| | | 11. Sprocket spacer | 24. Ball bearing |
| | | 12. Steel ball | 25. Rear output shaft |
| | | 13. Drive sprocket | |

DISASSEMBLY SERVICE POINTS

◀A▶ CLUTCH HUB REMOVAL

1. Use the special tool to support the low speed gear.
2. Use a press to push at the front end of the rear output shaft and then remove the hub and gear.

NOTE

The clutch hub may be fitted loosely on the shaft, so that removal is possible without using a press.

◀B▶ JAM NUT REMOVAL

1. Remove the staked nut from the shaft.

2. Hold the drive sprocket in a soft-jaw vise.
3. Shift the clutch sleeve to the drive sprocket side.
4. Use the special tool to remove the jam nut.

◀C▶ RADIAL BALL BEARING REMOVAL

1. Use the special tool to support the ball bearing.
2. Use a press to push at a rear end of the rear output shaft, and then remove the radial ball bearing.

NOTE

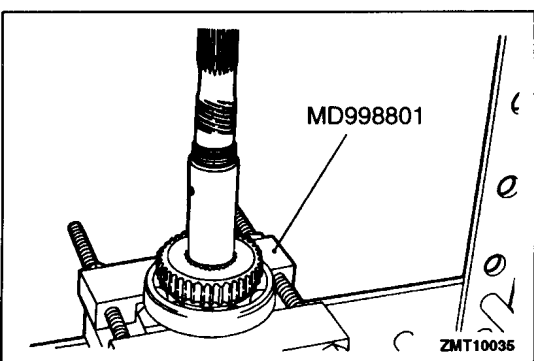
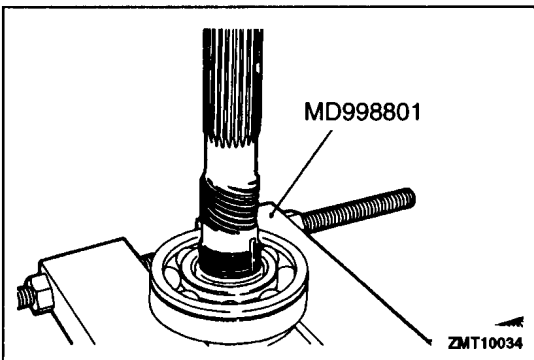
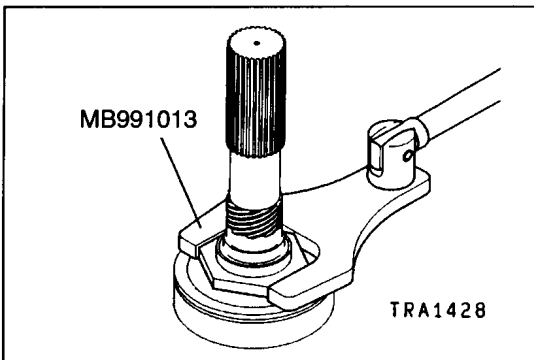
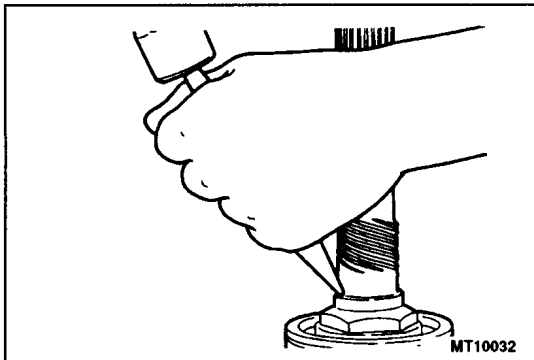
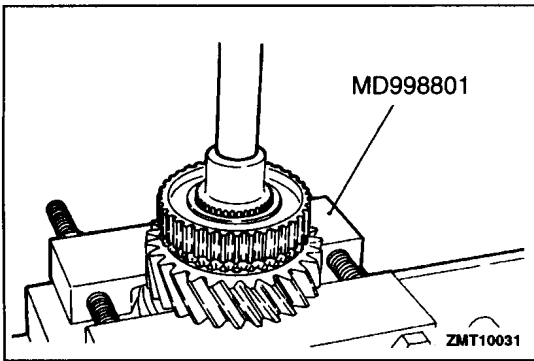
The bearing may be fitted loosely on the shaft, so that removal is possible without using a press.

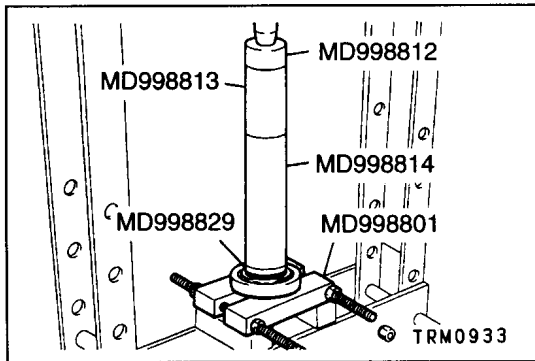
◀D▶ CLUTCH HUB REMOVAL

1. Place the special tool so that the load is applied at the bearing.
2. Use a press to push at the rear end of the rear output shaft, and then remove the clutch hub and ball bearing.

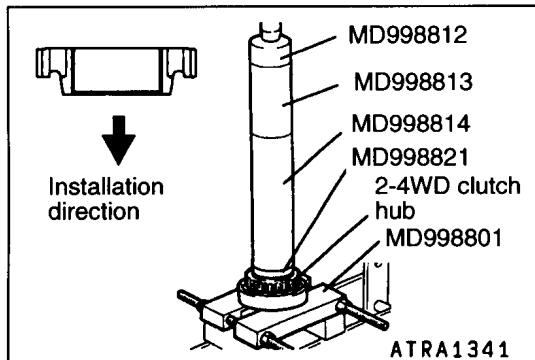
NOTE

The clutch hub may be fitted loosely on the shaft, so that removal is possible without using a press.



**ASSEMBLY SERVICE POINTS****▶A◀ BALL BEARING / STOPPER PLATE INSTALLATION**

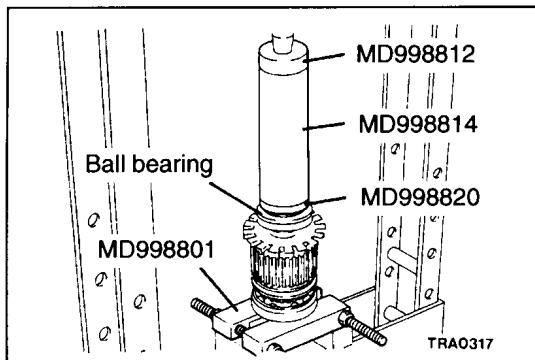
1. Use the special tool to support the rear output shaft.
2. Fit the ball bearing and the stopper plate onto the rear output shaft.
3. Use the special tools to press in the ball bearing.

**▶B◀ CLUTCH HUB INSTALLATION**

1. Use the special tool to support the rear output shaft.
2. Confirm the clutch hub installation direction, and fit the clutch hub onto the rear output shaft.
3. Use the special tools to press in the clutch hub.

NOTE

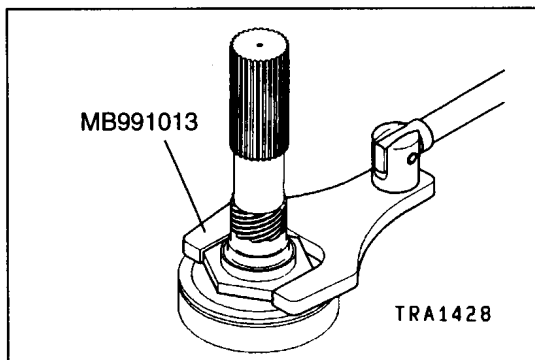
The clutch hub may be fitted loosely on the shaft, so that installation is possible without using a press.

**▶C◀ BALL BEARING INSTALLATION**

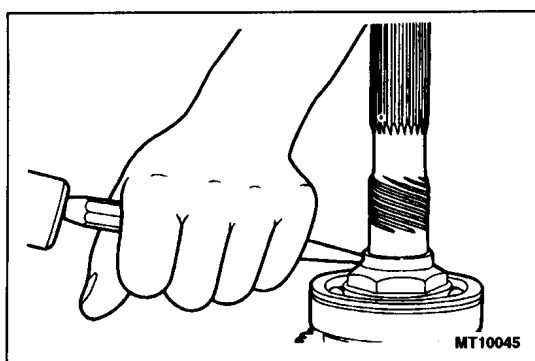
1. Use the special tool to support the rear output shaft.
2. Use special tools to install the radial ball bearing.

NOTE

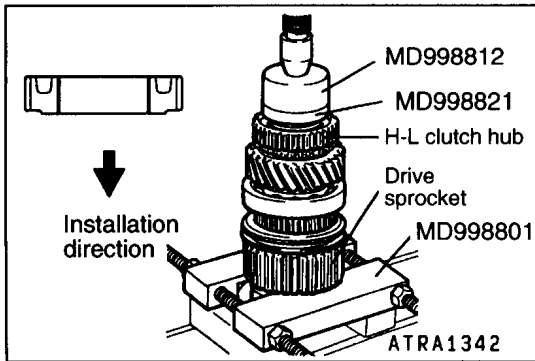
The ball bearing may be fitted loosely on the shaft, so that installation is possible without using a press.

**▶D◀ JAM NUT INSTALLTION**

1. Hold the drive sprocket in a soft-jaws vise.
2. Shift the clutch sleeve to the drive sprocket side.
3. Using the special tool, tighten the jam nut to the specified torque.

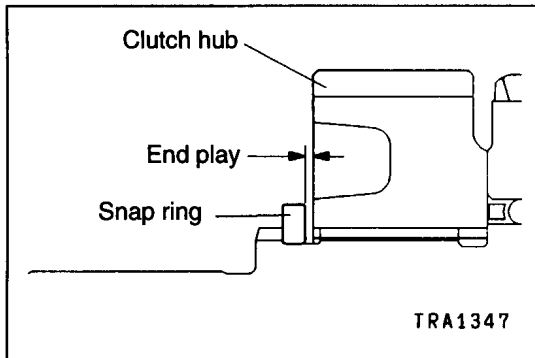


4. Stake the two places of the jam nut as shown in illustration.



►E◄ CLUTCH HUB INSTALLATION

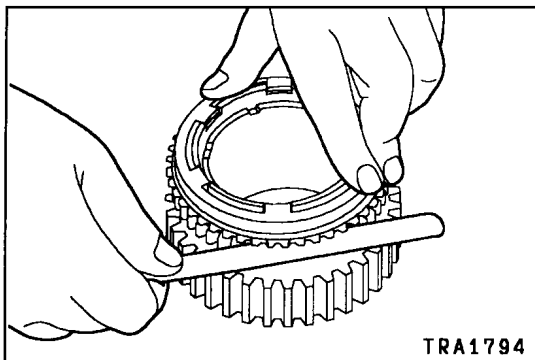
1. Use the special tool to support the drive sprocket.
2. Confirm the clutch hub installation direction, and fit the clutch hub onto the rear output shaft.
3. Use the special tools to press in the clutch hub.



►F◄ SNAP RING INSTALLATION

1. Install the thickest snap ring that can be fitted in the snap ring groove of the rear output shaft.
2. Make sure that the clutch hub end play meets the standard value.

Standard value: 0 – 0.08 mm



INSPECTION


SYNCHRONIZER OUTER RING / SYNCHRONIZER CONE / SYNCHRONIZER INNER RING INSTALLATION

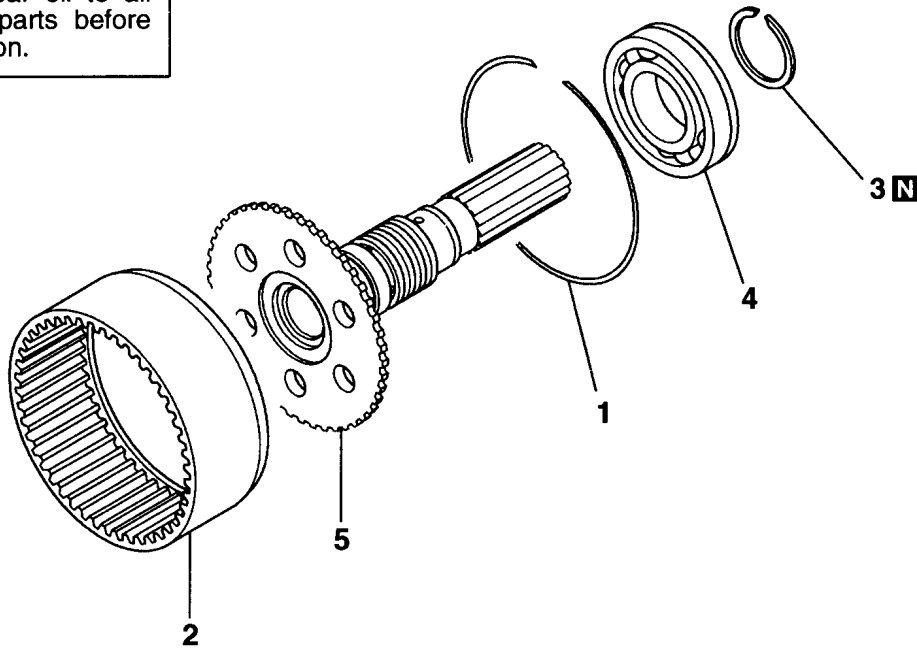
1. Push the synchronizer outer ring, synchronizer cone and the synchronizer inner ring to the drive sprocket in combined state, and then measure the indicated dimension of the drive sprocket and synchronizer outer ring.

Limit: 0.3 mm

2. In case that the value is out of limit, exchange as the synchronizer ring set.

18a. REAR OUTPUT SHAFT <V4A51 – Super Select 4WD II> DISASSEMBLY AND ASSEMBLY

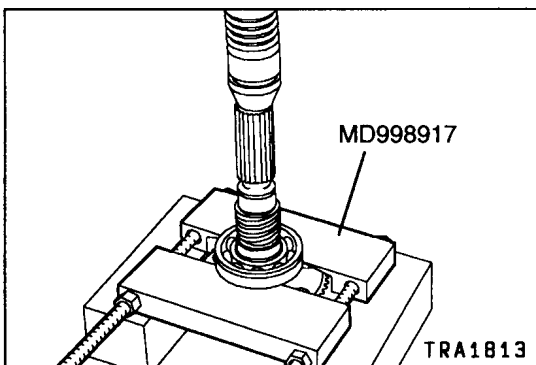
 Apply gear oil to all moving parts before installation.



TRA1812

Disassembly steps

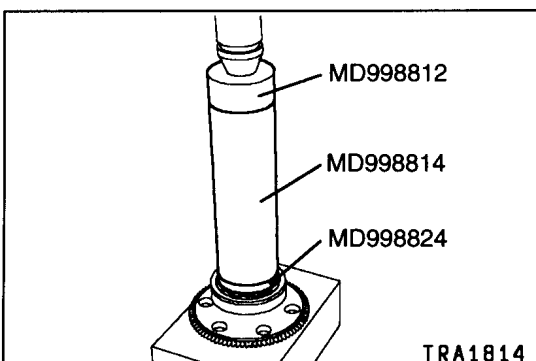
- ▶C◀ 1. Snap ring
- ▶B◀ 2. Annulus gear
- ▶A◀ 3. Snap ring
- ▶A◀ 4. Ball bearing
- ▶A◀ 5. Rear output shaft



DISASSEMBLY SERVICE POINT

▶A◀ BALL BEARING REMOVAL

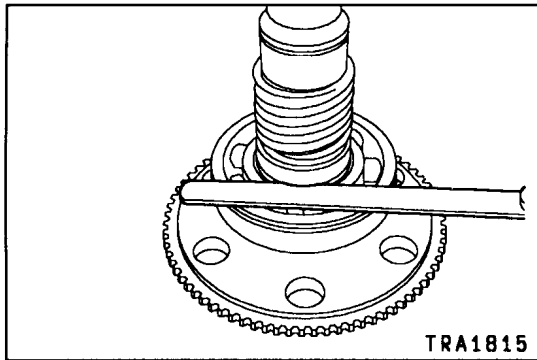
Use the special tool to remove the ball bearing.



ASSEMBLY SERVICE POINTS

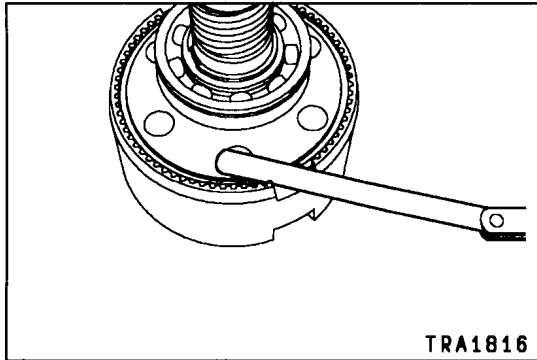
▶A◀ BALL BEARING INSTALLATION

Use the special tools to install the ball bearing.

**▶B◀ SNAP RING INSTALLATION**

1. Install the thickest snap ring that can be fitted in the snap ring groove of the rear output shaft.
2. Make sure that the rear output shaft bearing end play meets the standard value.

Standard value: 0 – 0.08 mm

**▶C◀ SNAP RING INSTALLATION**

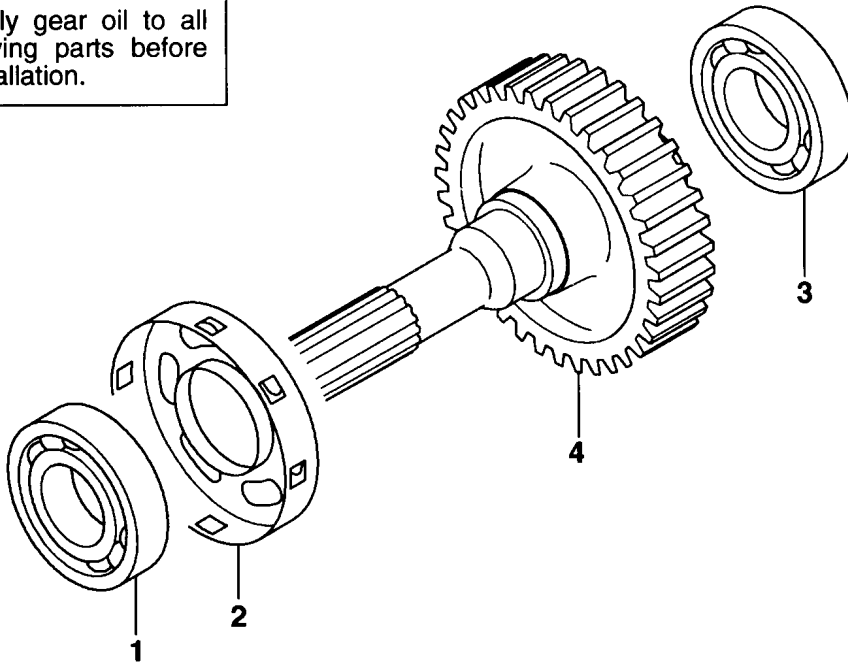
1. Install the thickest snap ring that can be fitted in the snap ring groove of the annulus gear.
2. Make sure that the annulus gear end play meets the standard value.

Standard value: 0 – 0.08 mm

19. FRONT OUTPUT SHAFT <V4A51>

DISASSEMBLY AND ASSEMBLY

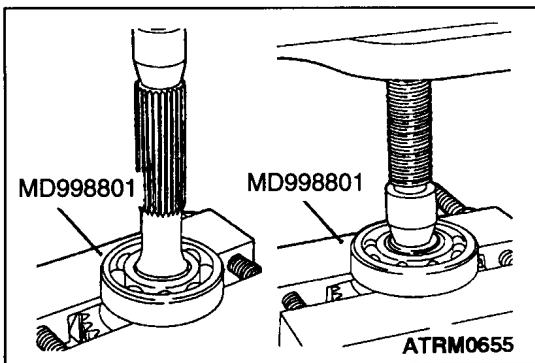
Apply gear oil to all moving parts before installation.



TRA1817

Disassembly steps

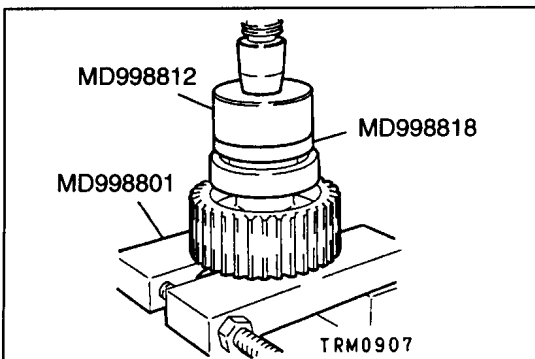
- ◀A▶ ▶B▶ 1. Ball bearing
- ▶A▶ ▶A▶ 2. Sensor rotor (V4A51-7)
- ▶A▶ ▶A▶ 3. Ball bearing
- ▶A▶ ▶A▶ 4. Front output shaft



DISASSEMBLY SERVICE POINT

◀A▶ BALL BEARING REMOVAL

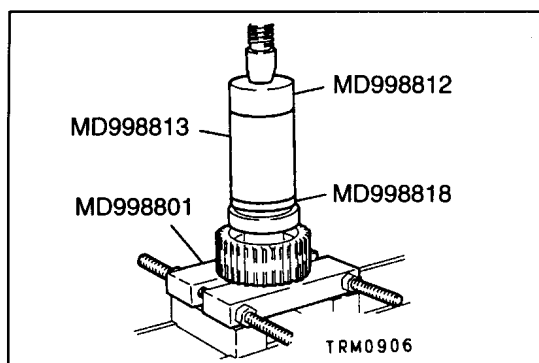
1. Use the special tool to support the ball bearing.
2. Press the front output shaft with a press and remove the ball bearings.



ASSEMBLY SERVICE POINTS

▶A▶ BALL BEARING INSTALLATION


1. Use the special tool to support the front output shaft.
2. Use the special tools to install the ball bearing.

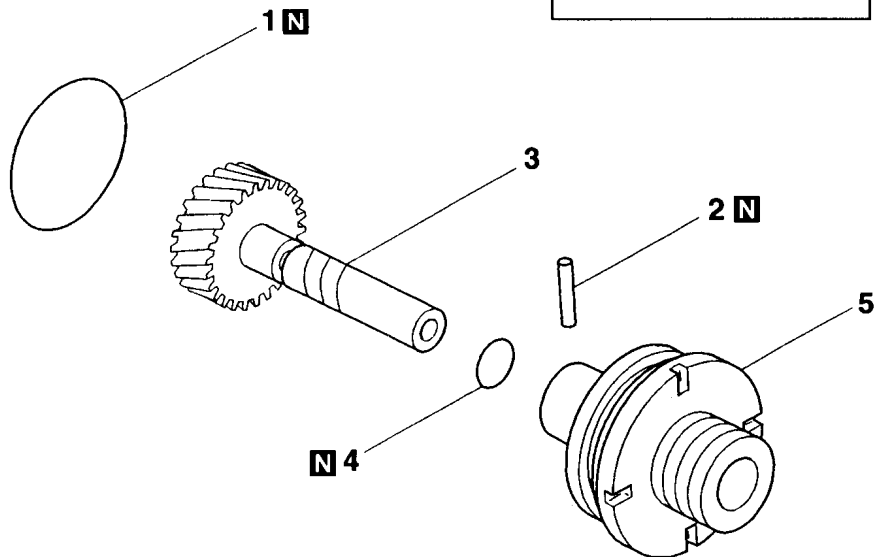
**▶B◀ BALL BEARING INSTALLATION**

1. Use the special tool to support the front output shaft.
2. Use the special tools to install the ball bearing.

20. SPEEDOMETER GEAR <R4A51-5, V4A51-5>

DISASSEMBLY AND ASSEMBLY

 Apply gear oil to all moving parts before installation.

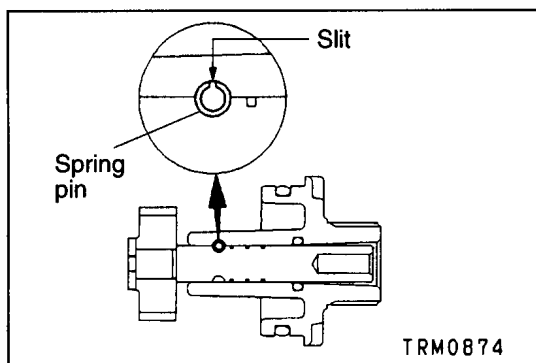


TRM0860

Disassembly steps



1. O-ring
2. Spring pin
3. Driven gear
4. O-ring
5. Sleeve




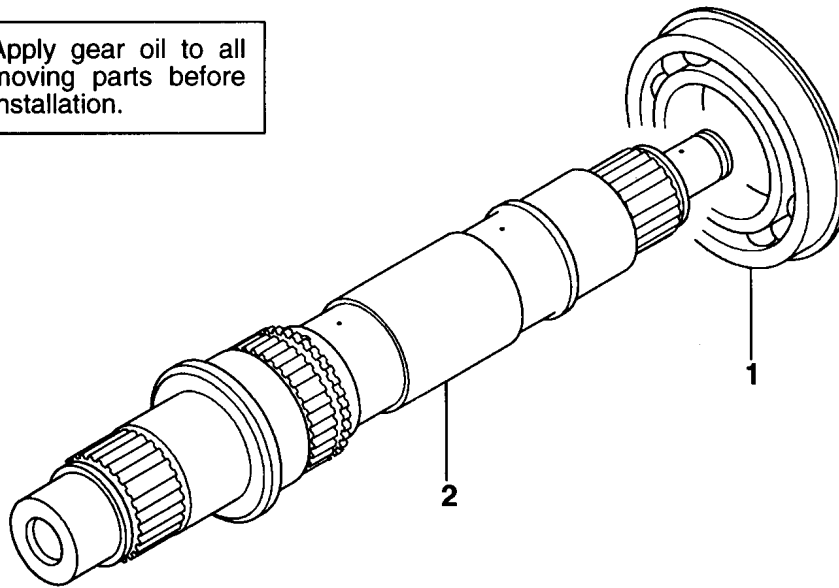
ASSEMBLY SERVICE POINT

▶A◀ SPRING PIN INSTALLATION

Drive the spring pin in, while making sure that slit does not face gear shaft.

21. TRANSFER DRIVE SHAFT <V4A51 – Super Select 4WD II> DISASSEMBLY AND ASSEMBLY

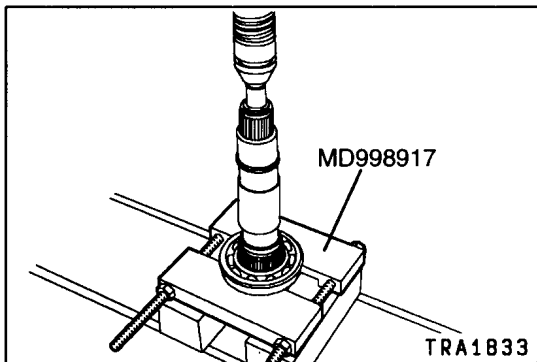
 Apply gear oil to all moving parts before installation.



TRA1832

Disassembly steps

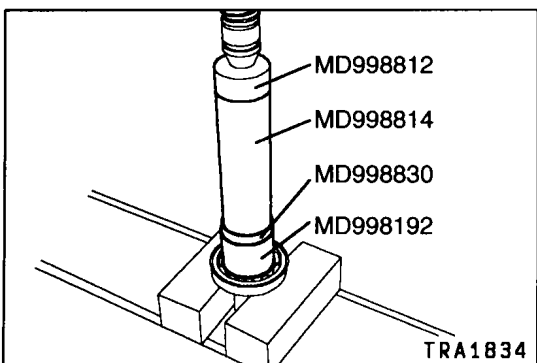
- ◀A▶ ▶A◀
1. Ball bearing
 2. Transfer drive shaft



DISASSEMBLY SERVICE POINT

◀A▶ BALL BEARING REMOVAL

Use the special tool to remove the ball bearing.




ASSEMBLY SERVICE POINT

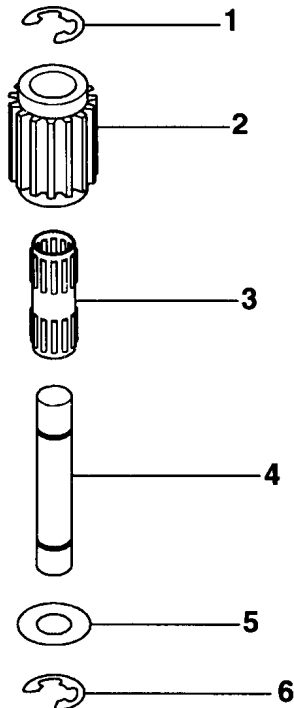
▶A◀ BALL BEARING INSTALLATION

Use the special tools to install the ball bearing.

22. SHIFT RAIL DRIVE GEAR <V4A51 – Super Select 4WD II>

DISASSEMBLY AND ASSEMBLY

 Apply gear oil to all moving parts before installation.

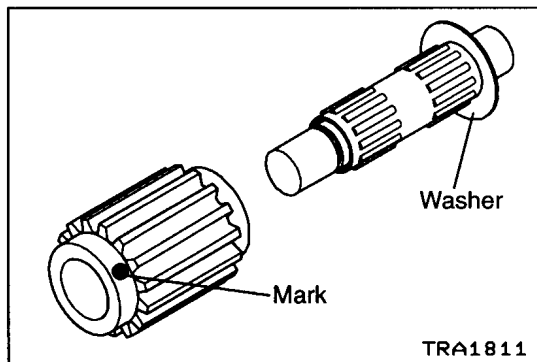


TRA1810

Disassembly steps

- ▶A◀
1. Snap ring
 2. Shift rail drive gear
 3. Bearing

4. Shift rail drive gear shaft
5. Washer
6. Snap ring




ASSEMBLY SERVICE POINT

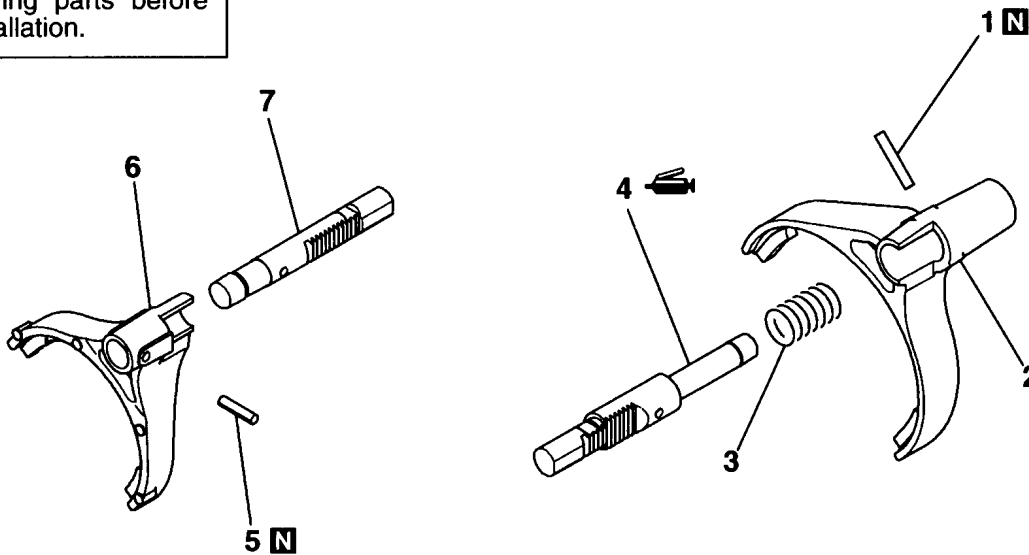
▶A◀ SHIFT RAIL DRIVE GEAR INSTALLATION

Install the shift rail drive gear such that its mark does not face the washer.

23. 2-4WD SHIFT RAIL AND H-L SHIFT RAIL <V4A51 – Super Select 4WD II>

DISASSEMBLY AND ASSEMBLY

 Apply gear oil to all moving parts before installation.

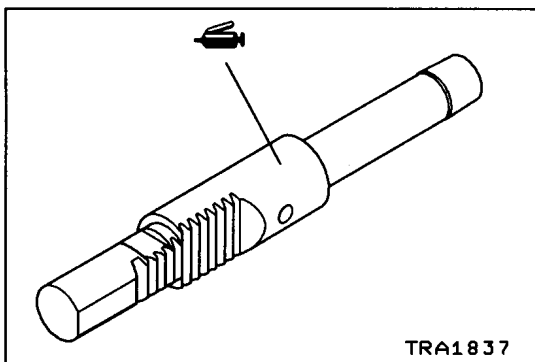


TRA1835

Disassembly steps

- ▶B◀ 1. Spring pin
- ▶A◀ 2. 2-4WD shift fork
- ▶A◀ 3. Spring

- ▶A◀ 4. 2-4WD shift rail
- ▶B◀ 5. Spring pin
- ▶A◀ 6. H-L shift fork
- ▶A◀ 7. H-L shift rail



ASSEMBLY SERVICE POINTS

▶A◀ SHIFT FORK / SHIFT RAIL INSTALLATION

Apply grease to the outer periphery of the shift fork mounting portion of the shift rail and then assemble the shift fork and shift rail.

Specified grease:

Mitsubishi genuine grease part No. 0101011 or equivalent

▶B◀ SPRING PIN INSTALLATION

Install the spring pin with its split toward the forward end of the transfer.

