

MANUAL TRANSMISSION

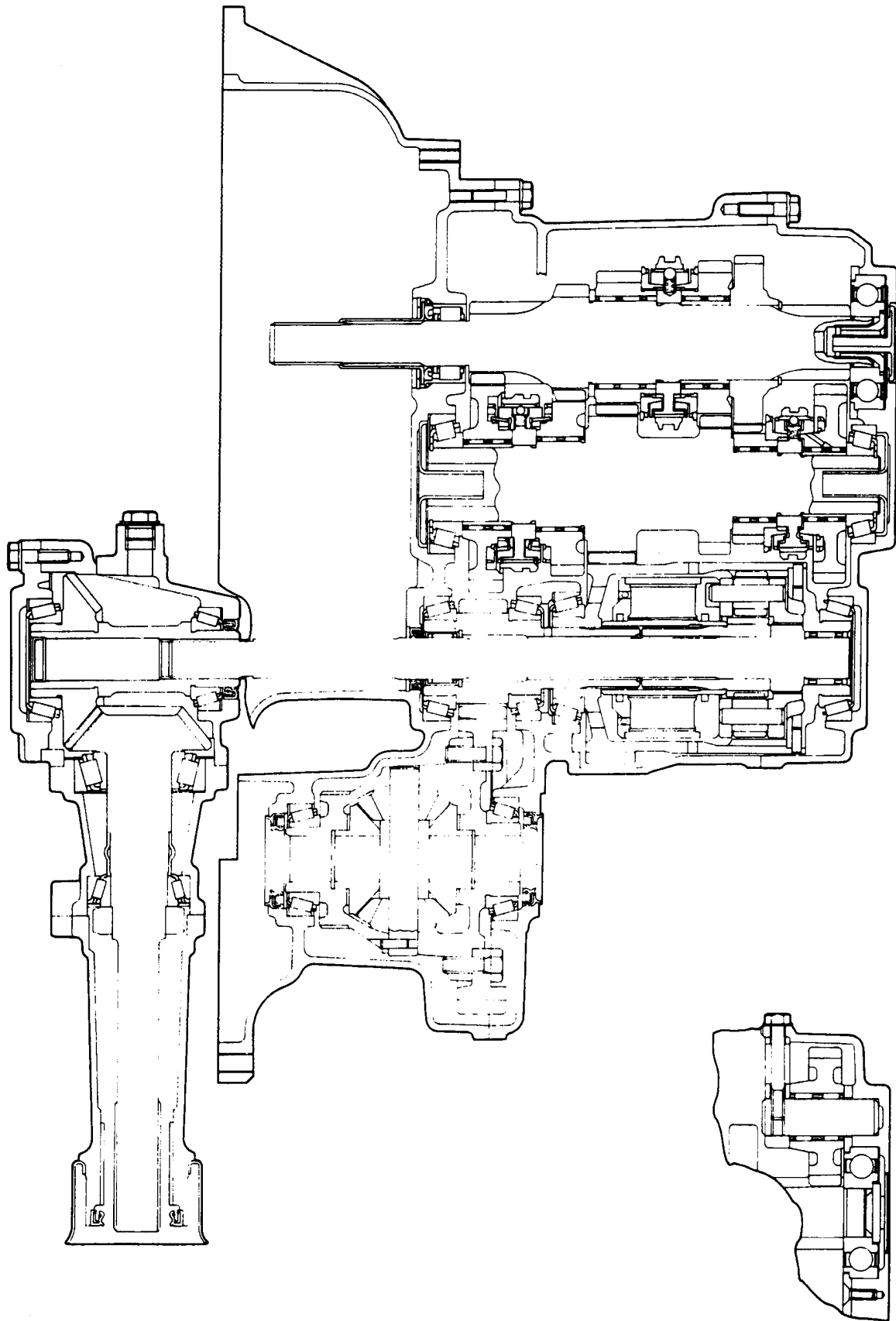
MODEL W5MG1, W6MG1

CONTENTS

GENERAL INFORMATION	22C- 0-3
1. SPECIFICATIONS	22C- 1-1
TRANSMISSION MODEL TABLE	22C- 1-1
GEAR RATIO TABLE	22C- 1-1
SERVICE SPECIFICATIONS	22C- 1-2
TORQUE SPECIFICATIONS	22C- 1-2
SEALANTS AND ADHESIVES	22C- 1-3
LUBRICANTS	22C- 1-3
ADJUSTMENT SPACERS	22C- 1-3
2. SPECIAL TOOLS	22C- 2-1
3. TRANSMISSION	22C- 3-1
4. INPUT SHAFT	22C- 4-1
5. INTERMEDIATE GEAR	22C- 5-1
6. 3RD - 4TH SYNCHRONIZER <W6MG1>	22C- 6-1
7. 5TH - 6TH SYNCHRONIZER <W6MG1>	22C- 7-1
8. CENTER DIFFERENTIAL	22C- 8-1
9. FRONT OUTPUT SHAFT	22C- 9-1
10. REAR COVER	22C-10-1
11. FRONT DIFFERENTIAL	22C-11-1
12. SPEEDOMETER GEAR	22C-12-1
13. TRANSFER	22C-13-1

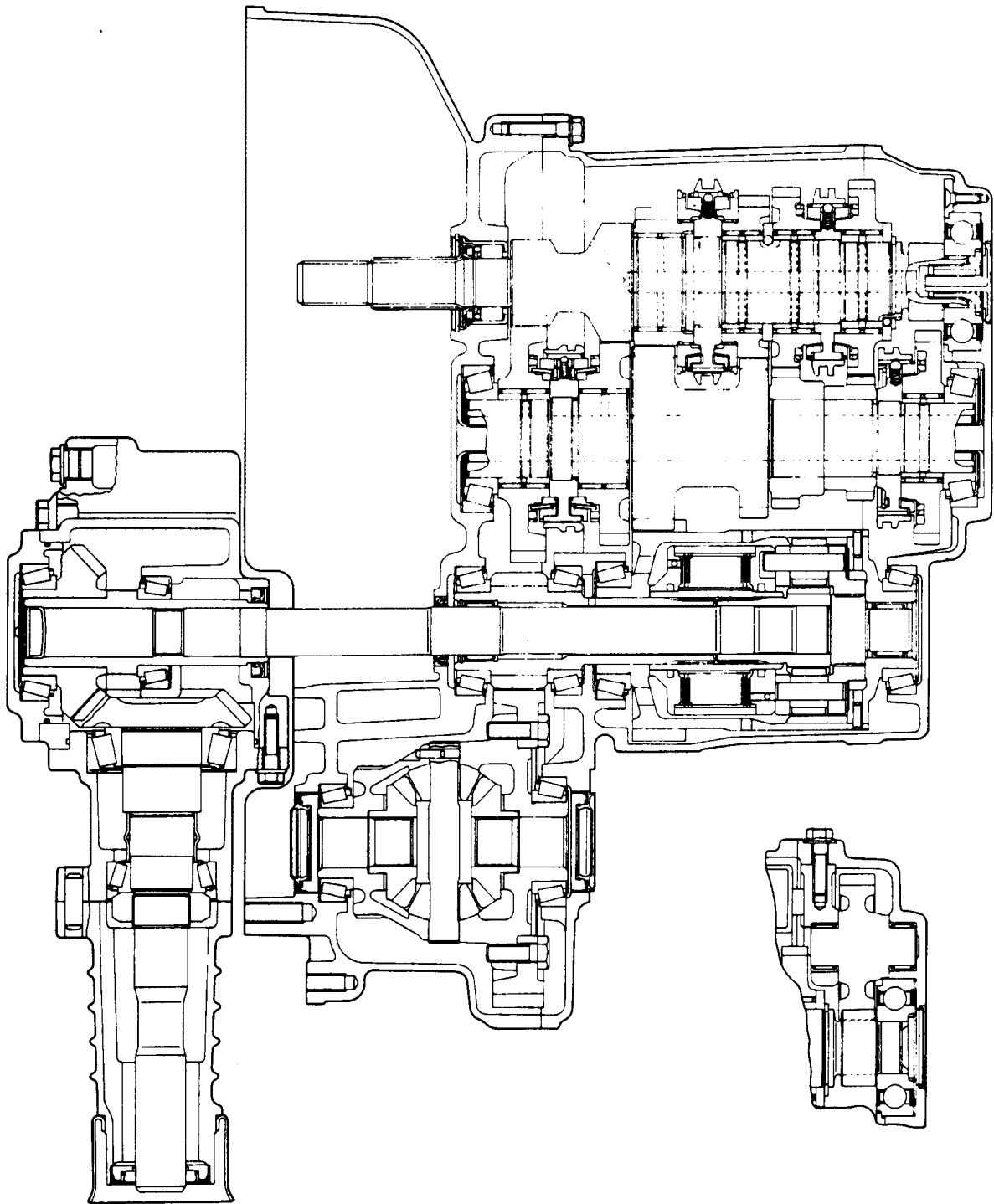
GENERAL INFORMATION

SECTIONAL VIEW <W5MG1>



TFM0390

SECTIONAL VIEW <W6MG1>



1. SPECIFICATIONS**TRANSMISSION MODEL TABLE – MODEL 1993**

	Transmission model	Gear ratio	Speedometer gear ratio	Final gear ratio	Vehicle model	Engine model
EC	W5MG1-2-FNCR	A	27/36	3.972	Z16A	6G72
EXP	W5MG1-2-FNCR	A	27/36	3.972	Z16A	6G72
AUS	W5MG1-1-FNCR	A	27/36	3.972	Z16A	6G72

TRANSMISSION MODEL TABLE – MODEL 1994

	Transmission model	Gear ratio	Speedometer gear ratio	Final gear ratio	Vehicle model	Engine model
EC	W5MG1-3-FNCR	A	27/36	3.972	Z16A	6G72
EXP	W6MG1-0-GNCR	B	27/36	4.155	Z16A	6G72
AUS	W6MG1-0-GNCR	B	27/36	4.155	Z16A	6G72

TRANSMISSION MODEL TABLE – MODEL 1995, 1996

	Transmission model	Gear ratio	Speedometer gear ratio	Final gear ratio	Vehicle model	Engine model
EC	W5MG1-3-FNBR	A	27/36	3.972	Z16A	6G72
	W6MG1-0-LNAR	B	28/36	4.155	Z16A	6G72
EXP	W5MG1-2-FNCR	A	27/36	3.972	Z16A	6G72
AUS	W5MG1-2-FNCR	A	27/36	3.972	Z16A	6G72

GEAR RATIO TABLE

	A	B
1st	3.071	3.266
2nd	1.739	1.904
3rd	1.103	1.241
4th	0.823	0.918
5th	0.659	0.733
6th	–	0.589
Reverse	3.076	3.153
Transfer	0.814	1.083

SERVICE SPECIFICATIONS

mm (in.)

Items	Standard	
Input shaft rear bearing end play	0.02 – 0.05 (0.0008 – 0.0020)	
Intermediate gear preload	0.15 – 0.25 (0.0059 – 0.0098)	W5MG1
	0.20 – 0.30 (0.0079 – 0.0118)	W6MG1
Center differential preload	0.10 – 0.20 (0.0039 – 0.0079)	W5MG1
	0.15 – 0.20 (0.0059 – 0.0079)	W6MG1
Front output shaft preload	0.15 – 0.25 (0.0059 – 0.0098)	W5MG1
	0.10 – 0.15 (0.0039 – 0.0059)	W6MG1
Front differential preload	0.15 – 0.25 (0.0039 – 0.0098)	W5MG1
	0.15 – 0.20 (0.0039 – 0.0079)	W6MG1

TORQUE SPECIFICATIONS

Items	Nm	kgm	ft.lbs.
Input shaft rear bearing retainer mounting bolt	10	1.0	7.2
Reverse idler gear shaft bolt (W5MG1)	25	2.5	18
Reverse idler gear shaft retainer bolt (W6MG1)	25	2.5	18
Input shaft lock bolt	95	9.5	69
Stopper plate mounting bolt	10	1.0	7.2
Clutch housing – transmission case tightening bolt	25	2.5	18
Transmission case – rear cover tightening bolt	25	2.5	18
Shift shaft mounting bolt	10	1.0	7.2
Shift shaft hexagon bolt (W5MG1)	23	2.3	17
Detent (W6MG1)	30	3.0	22
Guide bolt (W6MG1)	20	2.0	14
Oil tank mounting bolt (W6MG1)	7	0.7	5.1
Reverse shift damper	33	3.3	24
Select lever mounting bolt	25	2.5	18
Poppet cover mounting bolt	10	1.0	7.2
Backup light switch	32	3.2	23
Speedometer gear mounting bolt	4	0.4	2.9
Transmission – transfer tightening bolt	86	8.6	62
Transmission mount bracket attaching bolt	70	7	51
Shift cable bracket mounting bolt	19	1.9	14
Retainer stopper plate mounting bolt	23	2.3	17
Oil level checking plug	7.5	0.75	5.4

SEALANTS AND ADHESIVES

Items	Specified sealant and adhesive
Input shaft lock bolt Rear cover – transmission case tightening bolt Stopper plate mounting bolt Transmission case – clutch housing tightening bolt Clutch housing – shift shaft tightening bolt Shift shaft hexagon bolt Select lever mounting bolt Poppet cover mounting bolt Reverse idler gear shaft bolt Reverse shift damper	LOCTITE No.242 or equivalent
Rear cover – transmission case mating surface Transmission case – clutch housing mating surface Clutch housing – shift shaft mating surface Poppet cover – rear cover mating surface	LOCTITE 17430 or MITSUBISHI genuine sealant Part No. MD997740 or equivalent

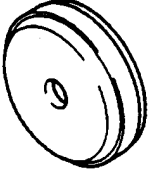
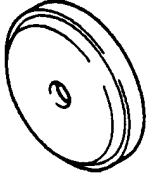
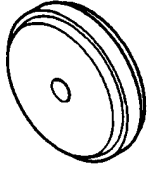
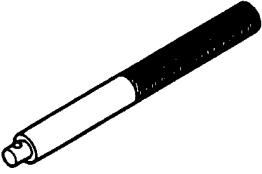
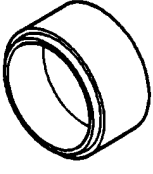
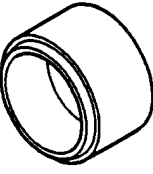
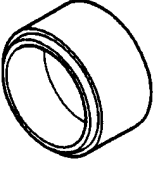
LUBRICANTS

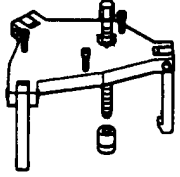
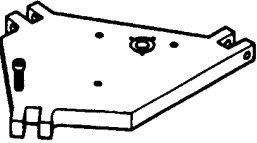
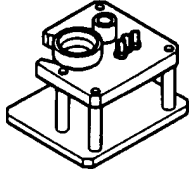
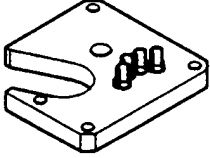
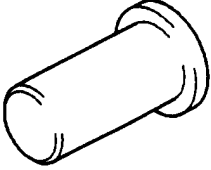
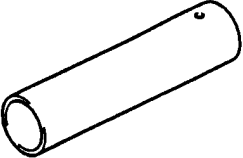
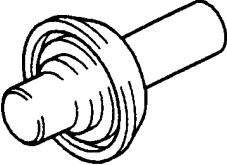
Items	Specified lubricants
Oil seal lips Transfer drive gear shaft splines	MITSUBISHI genuine grease Part No. 0101011 or equivalent
Synchronizer cone surfaces	Hypoid gear oil API GL-4, SAE 75W – 85W or 80W

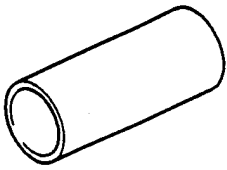
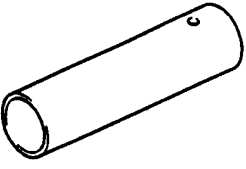
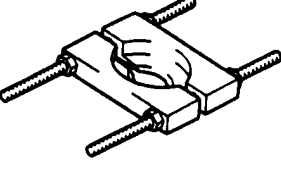
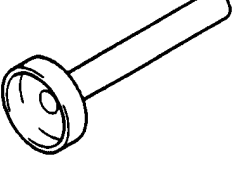
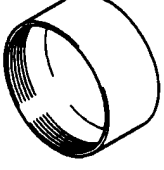
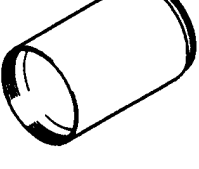
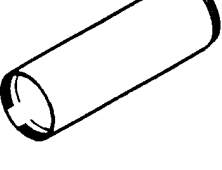
ADJUSTMENT SPACERS

Part name	Thickness mm (in.)
Adjustment of input shaft rear bearing end play	0.15 (0.0059)
	0.20 (0.0079)
	0.30 (0.0118)
	0.40 (0.0157)
	0.50 (0.0197)
Adjustment of intermediate shaft preload	0.20 (0.0079)
	0.25 (0.0098)
	0.30 (0.0118)
	0.50 (0.0197)
Adjustment of center differential preload	0.20 (0.0079)
	0.25 (0.0098)
	0.30 (0.0118)
	0.50 (0.0197)
Adjustment of front output shaft preload	0.10 (0.0039)
	0.15 (0.0059)
	0.20 (0.0079)
	0.50 (0.0197)
	1.00 (0.0394)
Adjustment of front differential preload	0.10 (0.0039)
	0.15 (0.0059)
	0.20 (0.0079)
	0.30 (0.0118)
	0.50 (0.0197)

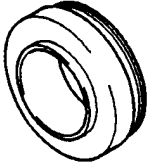
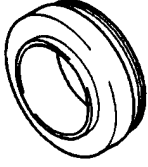
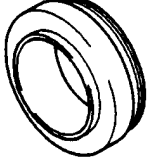
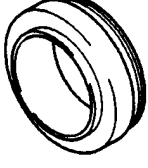
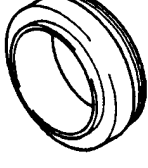
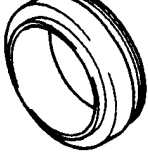
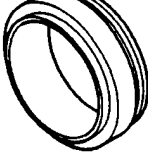
2. SPECIAL TOOLS

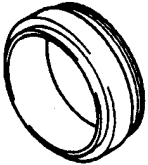
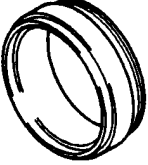
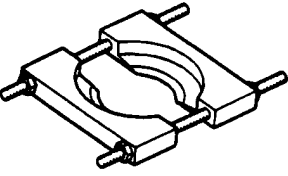
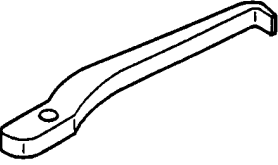
Tool	Number	Name	Use
	MB990934	Installer adapter	Installation of bearing outer race.
	MB990936	Installer adapter	Installation of bearing outer race.
	MB990937	Installer adapter	Installation of bearing outer race.
	MB990938	Handle	Use with installer adapter and bearing outer race installer.
	MB991550	Bearing outer race installer	Installation of bearing outer race (W5MG1).
	MB991551	Bearing outer race installer	Installation of bearing outer race.
	MB991577	Bearing outer race installer	Installation of bearing outer race (W6MG1).

Tool	Number	Name	Use
	MB991578	Rear cover puller assembly	Removal of rear cover (W5MG1, W6MG1).
	MB991580	Rear cover puller adapter set	Removal of rear cover (W6MG1).
	MB991589	Working base assembly (5M/T)	Removal and installation of input shaft lock bolt and installation of rear cover (W5MG1, W6MG1).
	MB991591	Working base adapter kit	Removal and installation of input shaft lock bolt and installation of rear cover (W6MG1).
	MD998304	Oil seal installer	Installation of oil seal.
	MD998320	Oil seal installer	Installation of oil seal.
	MD998325	Differential oil seal installer	Installation of oil seal.

Tool	Number	Name	Use
	MD998349	Oil seal installer	Removal and installation of input shaft front bearing.
	MD998369	Oil seal installer	Installation of needle bearing.
	MD998801	Bearing remover	Removal of bearing sleeve and bearing inner race.
	MD998803	Differential oil seal installer	Installation of oil seal.
	MD998812	Installer cap	Use with installer and installer adapter.
	MD998813	Installer – 100	Use with installer cap and installer adapter.
	MD998814	Installer – 200	Use with installer cap and installer adapter.

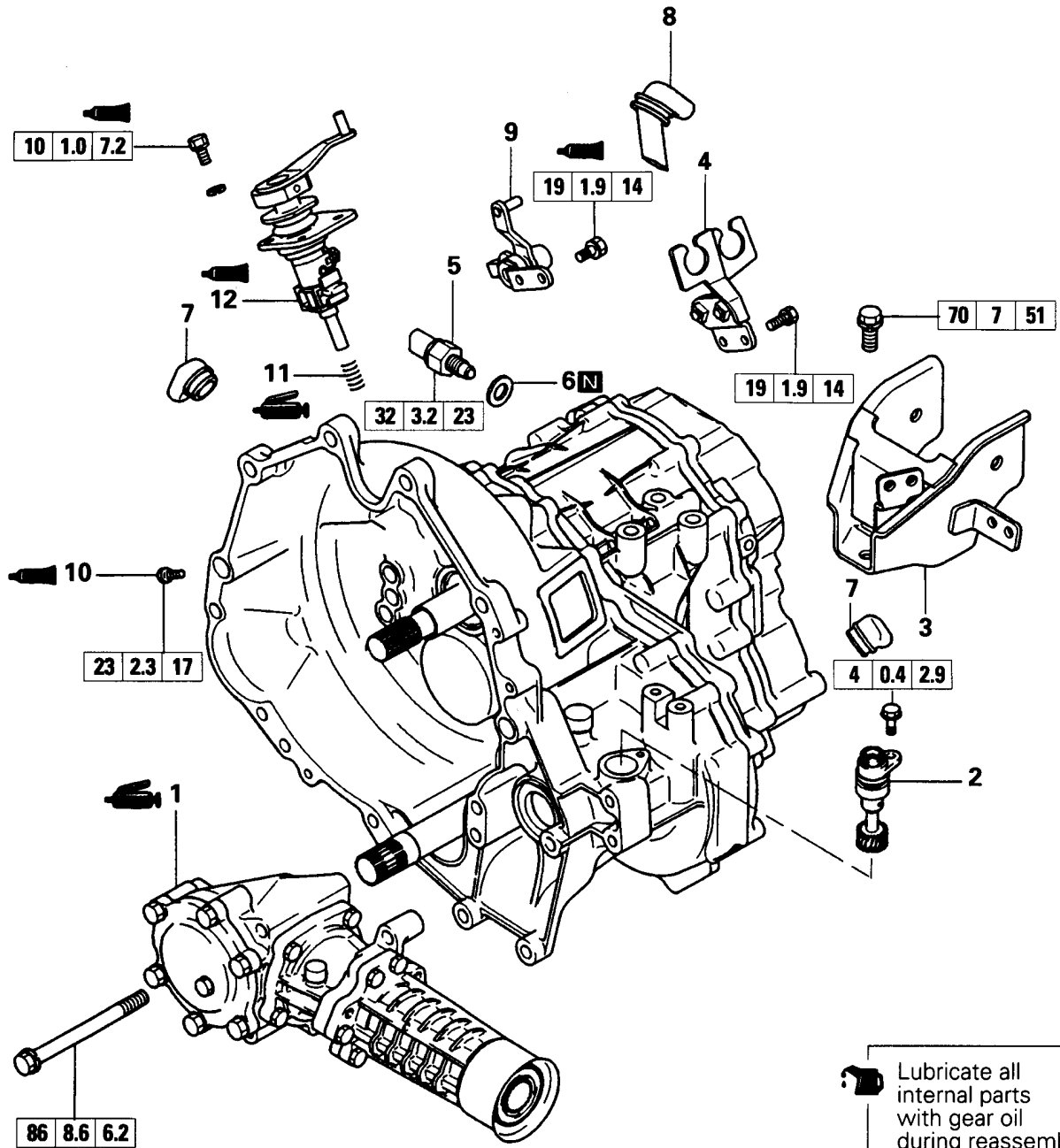
22C-2-4**W5MG1, W6MG1 – Special Tools**


Tool	Number	Name	Use
	MD998820	Installer adapter (42)	Installation of bearing sleeve and bearing inner race.
	MD998821	Installer adapter (44)	Installation of 5th-reverse synchronizer hub.
	MD998822	Installer adapter (46)	Installation of bearing sleeve and bearing inner race.
	MD998823	Installer adapter (48)	Installation of reverse synchronizer hub and bearing inner race.
	MD998824	Installer adapter (50)	Installation of 3rd – 4th synchronizer hub, bearing sleeve, 5th speed gear and oil seal.
	MD998825	Installer adapter (52)	Installation of bearing sleeve and bearing inner race.
	MD998826	Installer adapter (54)	Installation of 5th – 6th synchronizer and 1st – 2nd synchronizer hub.

Tool	Number	Name	Use
	MD998827	Installer adapter (56)	Installation of spacer ring and bearing inner race.
	MD998829	Installer adapter (60)	Installation of 3rd – 4th synchronizer.
	MD998917	Bearing remover	Removal of bearing sleeve and bearing inner race.
	MD999566	Claw	Removal of bearing outer race.

3. TRANSMISSION

DISASSEMBLY AND REASSEMBLY <W5MG1>

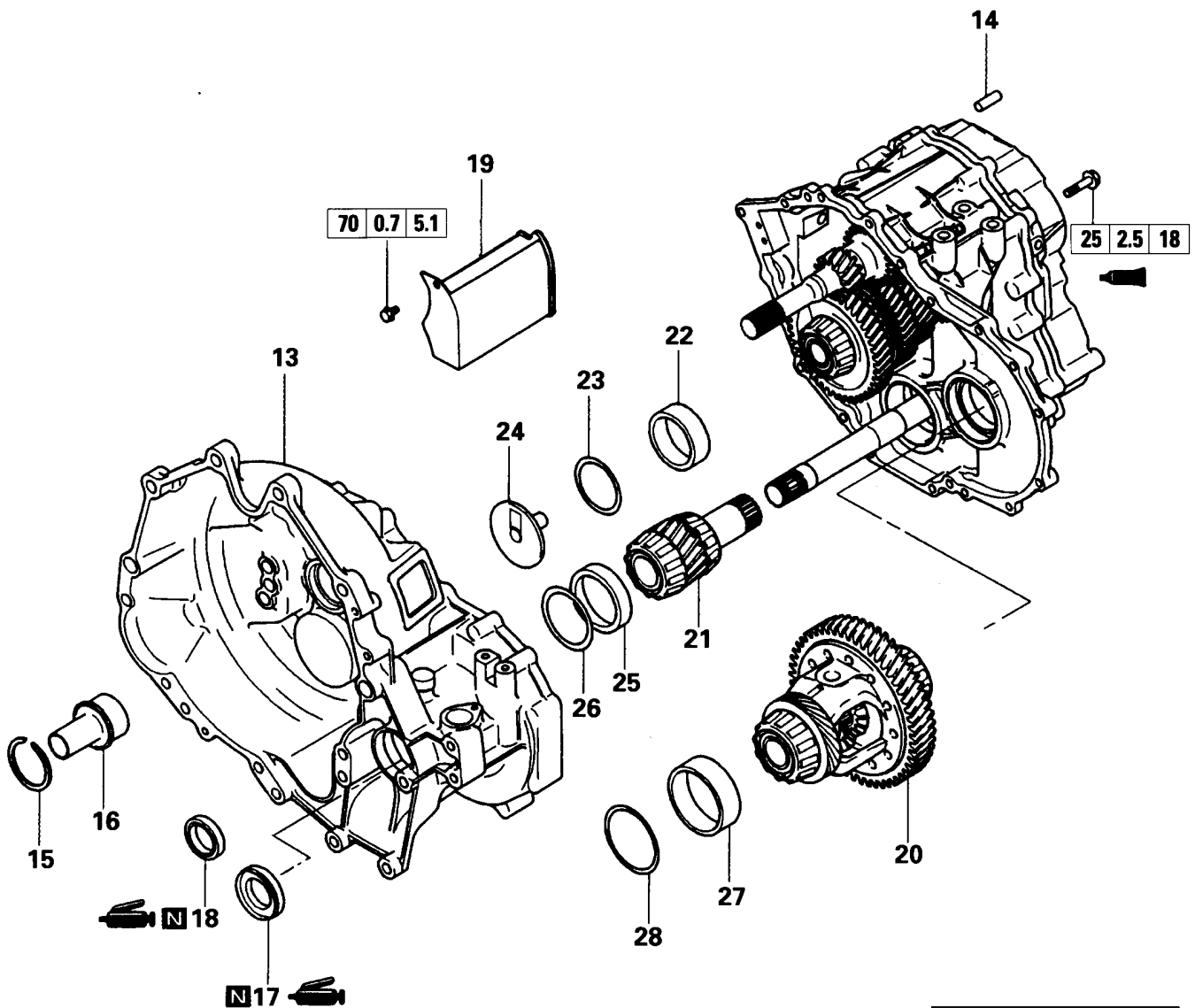



 Lubricate all internal parts with gear oil during reassembly.

Disassembly steps

- ▶AA▶ 1. Transfer
- ▶AA▶ 2. Speedometer gear
- ▶AA▶ 3. Transmission mount bracket
- ▶AA▶ 4. Shift cable bracket
- ▶AA▶ 5. Backup light switch
- ▶AA▶ 6. Gasket
- ▶Z▶ 7. Cover A
- ▶Z▶ 8. Cover B

- ▶Y▶ 9. Select lever
- ▶V▶ 10. Shift shaft hexagon bolt
- ▶V▶ 11. Return spring
- ▶A▶▶T▶ 12. Shift shaft

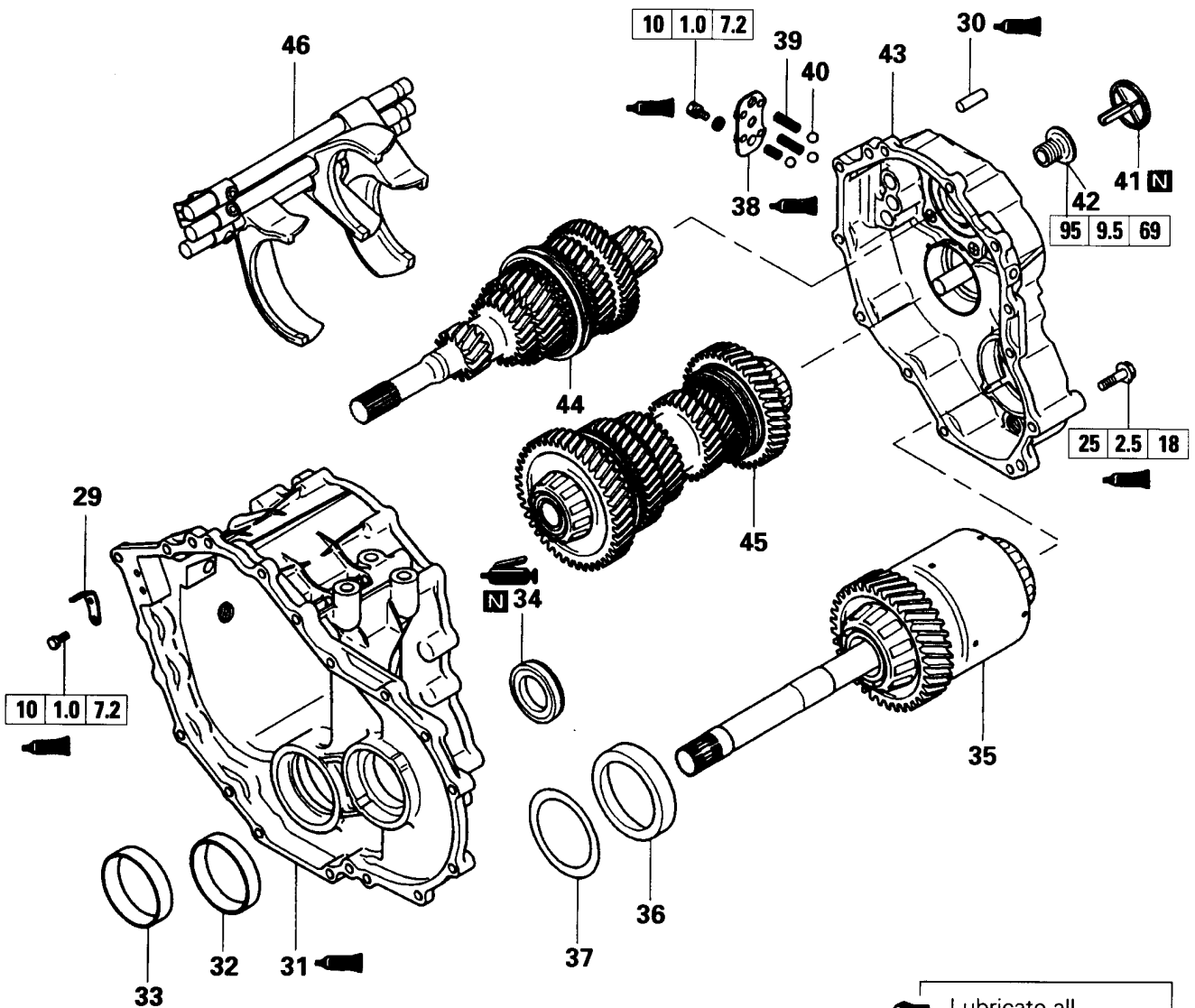



 Lubricate all internal parts with gear oil during reassembly.

Disassembly steps

- ◆S◆ 13. Clutch housing
- 14. Straight pin
- 15. Snap ring
- ◀C▶ ◆R◆ 16. Input shaft front bearing
- ◆Q◆ 17. Oil seal
- ◆P◆ 18. Oil seal
- 19. Oil tank
- 20. Front differential
- 21. Front output shaft

- ◀D▶ ◆O◆ 22. Bearing outer race
- ◆E◆ 23. Spacer
- ◆N◆ 24. Oil guide
- ◀D▶ ◆M◆ 25. Bearing outer race
- ◆E◆ 26. Spacer
- ◀D▶ ◆L◆ 27. Bearing outer race
- ◆E◆ 28. Spacer

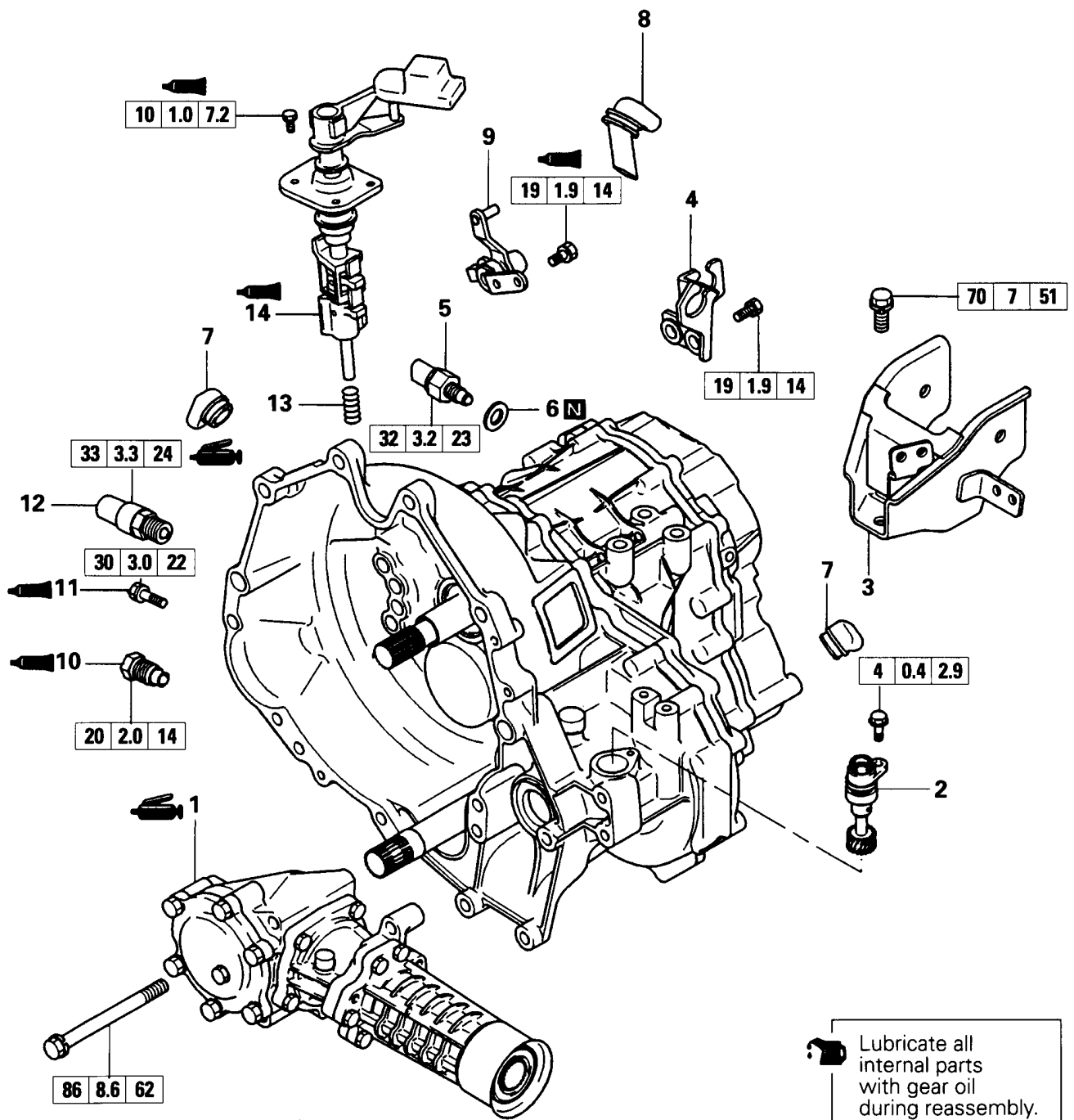


 Lubricate all internal parts with gear oil during reassembly.

Disassembly steps

- ◆K◆ 29. Stopper plate
- ◇E◇ 30. Straight pin
- ◆J◆ 31. Transmission case
- ◆I◆ 32. Bearing outer race
- ◆H◆ 33. Bearing outer race
- ◆G◆ 34. Oil seal
- 35. Center differential
- ◆F◆ 36. Bearing outer race
- ◆E◆ 37. Spacer
- ◆D◆ 38. Poppet cover
- 39. Poppet spring
- 40. Poppet ball
- ◆F◆ ◆C◆ 41. Input shaft rear seal cap
- ◆G◆ ◆B◆ 42. Input shaft lock bolt
- ◆H◆ ◆A◆ 43. Rear cover
- 44. Input shaft
- 45. Intermediate gear
- 46. Shift rail and fork


DISASSEMBLY AND REASSEMBLY <W6MG1>

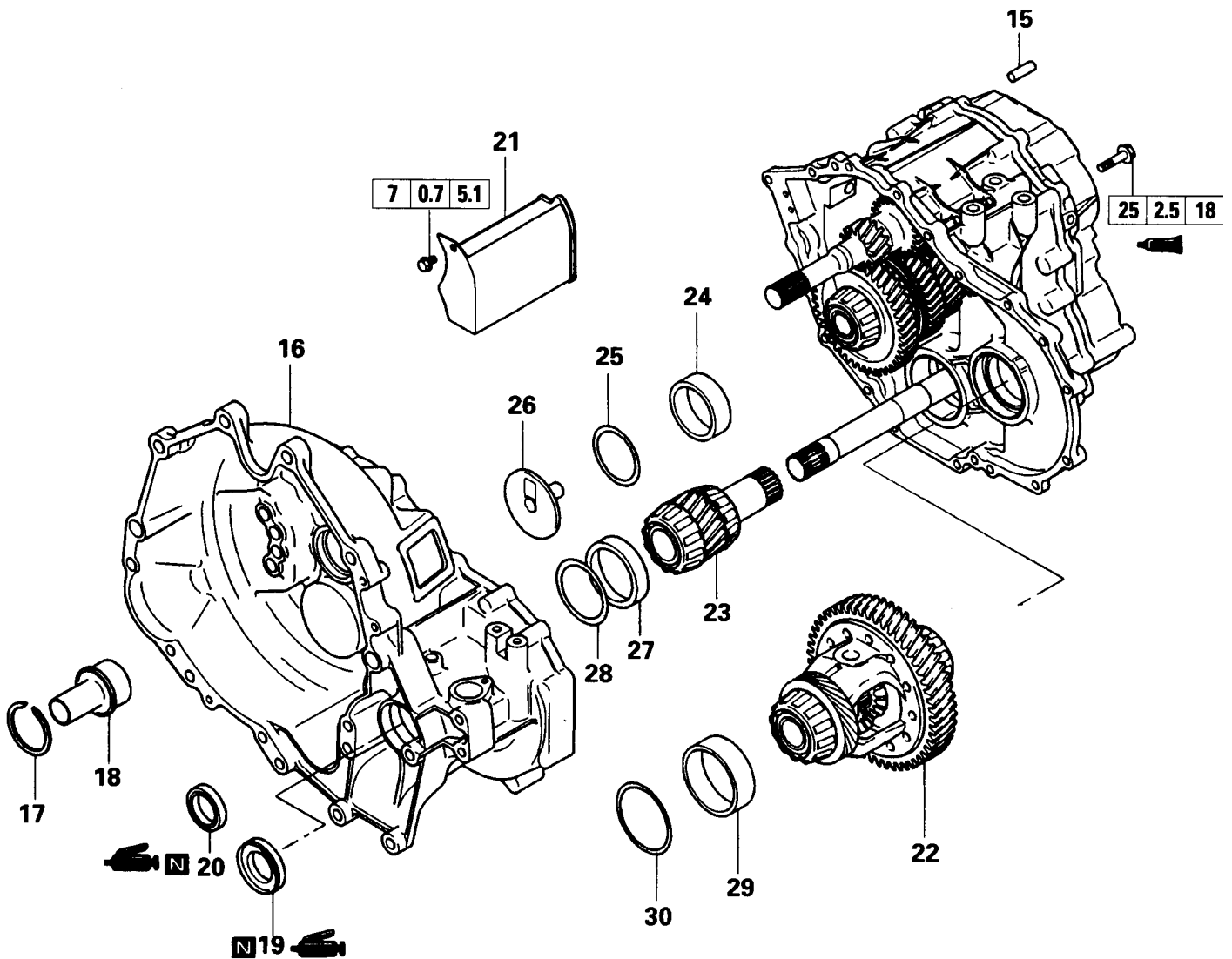



Disassembly steps

- ▶AA▶ 1. Transfer
- ▶X▶ 2. Speedometer gear
- ▶W▶ 3. Transmission mount bracket
- ▶U▶ 4. Shift cable bracket
- ▶Z▶ 5. Backup light switch
- ▶Z▶ 6. Gasket
- ▶Z▶ 7. Cover A
- ▶Z▶ 8. Cover B

- ▶Y▶ 9. Select lever
- ▶X▶ 10. Detent
- ▶W▶ 11. Guide bolt
- ▶U▶ 12. Reverse shift damper
- ▶A▶▶T▶ 13. Return spring
- ▶A▶▶T▶ 14. Shift shaft

 Lubricate all internal parts with gear oil during reassembly.

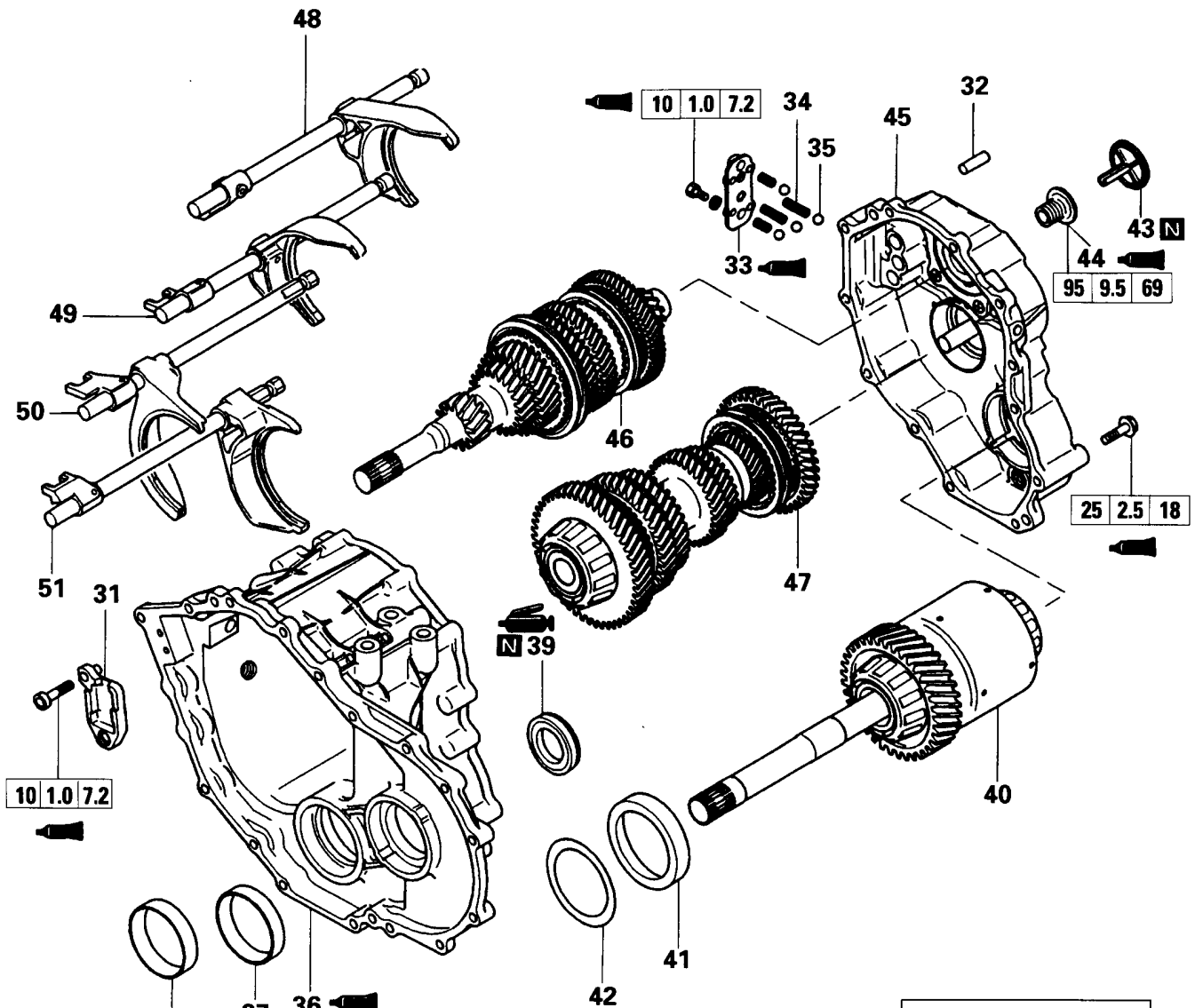



 Lubricate all internal parts with gear oil during reassembly.

Disassembly steps

- ◊B◊ 15. Straight pin
- ▶S◊ 16. Clutch housing
- 17. Snap ring
- ◊C◊ ▶R◊ 18. Input shaft front bearing
- ▶Q◊ 19. Oil seal
- ▶P◊ 20. Oil seal
- 21. Oil tank
- 22. Front differential
- 23. Front output shaft

- ◊D◊ ▶O◊ 24. Bearing outer race
- ▶E◊ 25. Spacer
- ▶N◊ 26. Oil guide
- ◊D◊ ▶M◊ 27. Bearing outer race
- ▶E◊ 28. Spacer
- ◊D◊ ▶L◊ 29. Bearing outer race
- ▶E◊ 30. Spacer

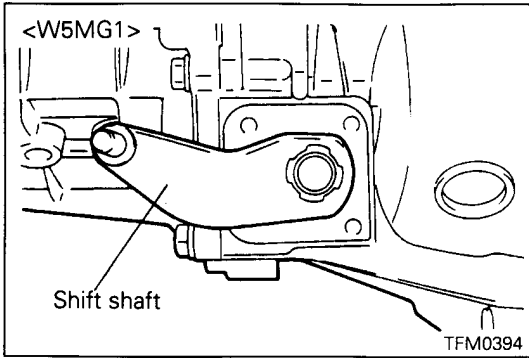


 Lubricate all internal parts with gear oil during reassembly.

Disassembly steps

- ◆K◆ 31. Stopper plate
- ◇E◇ 32. Straight pin
- ◆D◆ 33. Poppet cover
- 34. Poppet spring
- 35. Poppet ball
- ◆J◆ 36. Transmission case
- ◆I◆ 37. Bearing outer race
- ◆H◆ 38. Bearing outer race
- ◆G◆ 39. Oil seal
- 40. Center differential

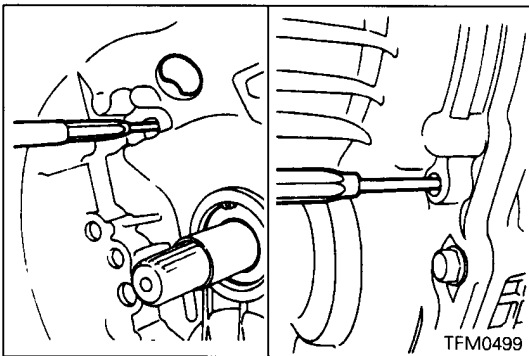
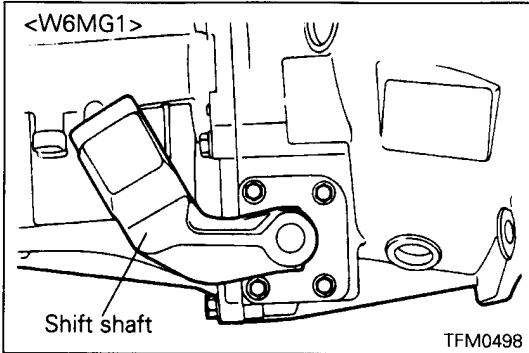
- ◆F◆ 41. Bearing outer race
- ◆E◆ 42. Spacer
- ◇F◇ ◆C◆ 43. Input shaft rear seal cap
- ◇G◇ ◆B◆ 44. Input shaft lock bolt
- ◇H◇ ◆A◆ 45. Rear cover
- 46. Input shaft
- 47. Intermediate gear
- 48. 5th – 6th shift rail and fork
- 49. 3rd – 4th shift rail and fork
- 50. 1st – 2nd shift rail and fork
- 51. Reverse shift rail and fork



DISASSEMBLY SERVICE POINTS

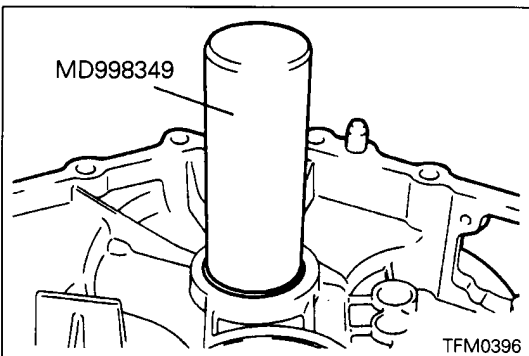
⇄A⇄ SHIFT SHAFT REMOVAL

(1) Set the shift shaft in neutral position and pull out the shaft.

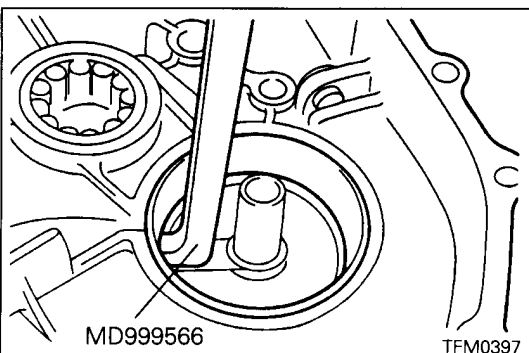


⇄B⇄ STRAIGHT PIN REMOVAL

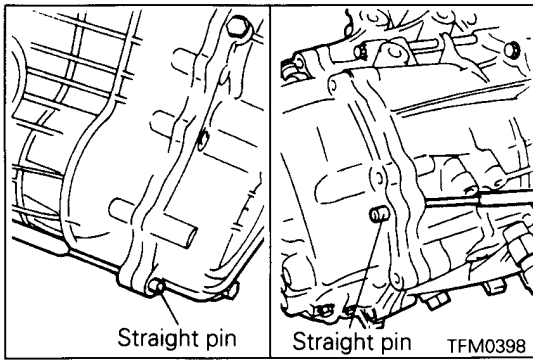
(1) Drive off the straight pin as shown in the illustration.



⇄C⇄ INPUT SHAFT FRONT BEARING REMOVAL

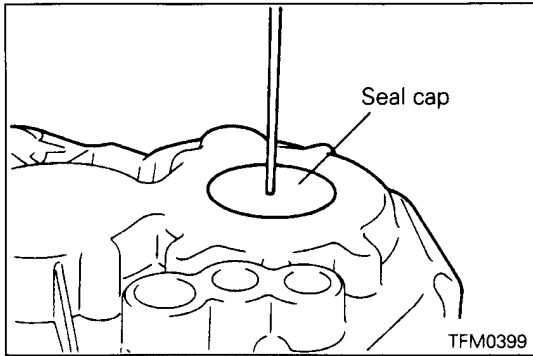


⇄D⇄ BEARING OUTER RACE REMOVAL



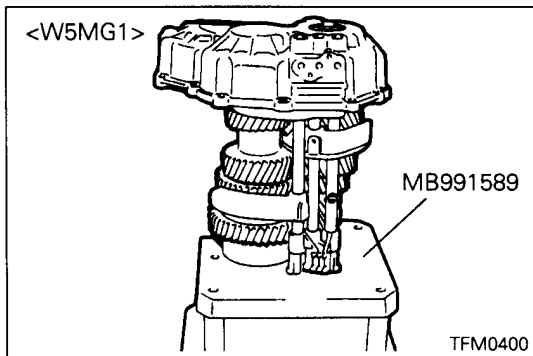
⇄E⇄ STRAIGHT PIN REMOVAL

- (1) Drive off the straight pin as shown in the illustration.



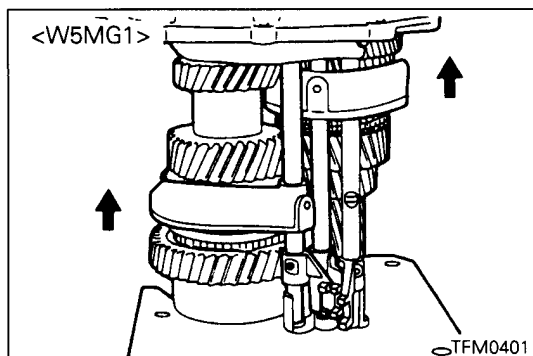
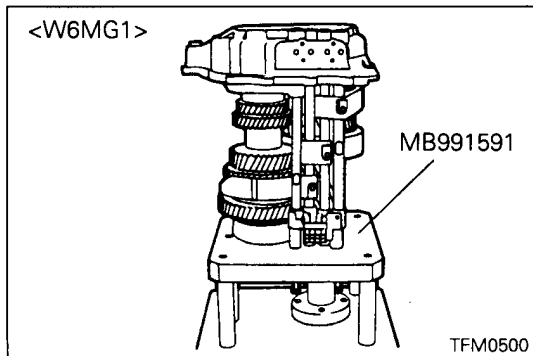
⇄F⇄ INPUT SHAFT REAR SEAL CAP REMOVAL

- (1) Remove the seal cap by striking its center using a nail or the like that has a sharp end.

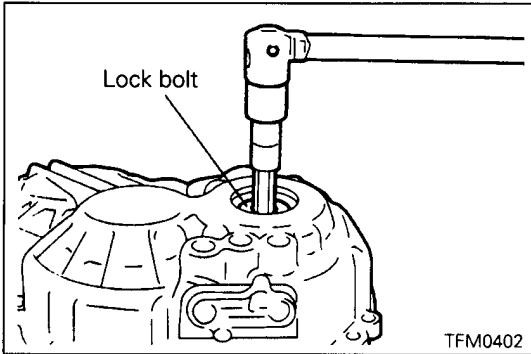
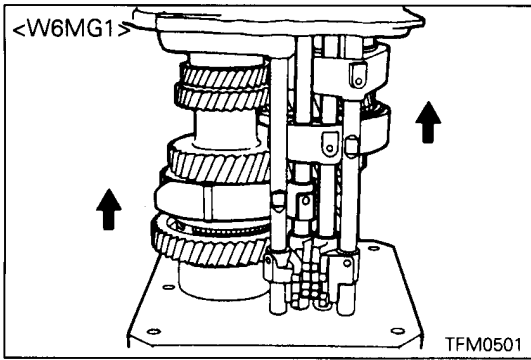


⇄G⇄ INPUT SHAFT LOCK BOLT REMOVAL

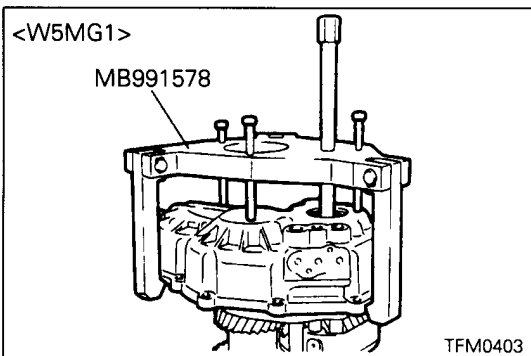
- (1) Set the rear cover, input shaft and intermediate shaft to the Special Tool.



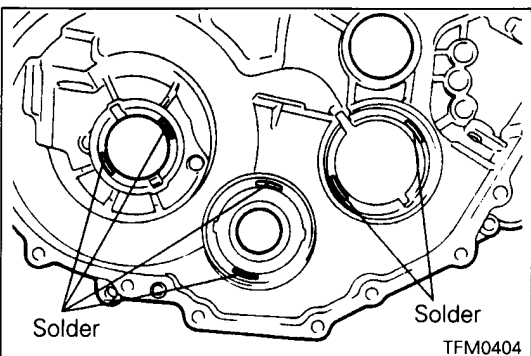
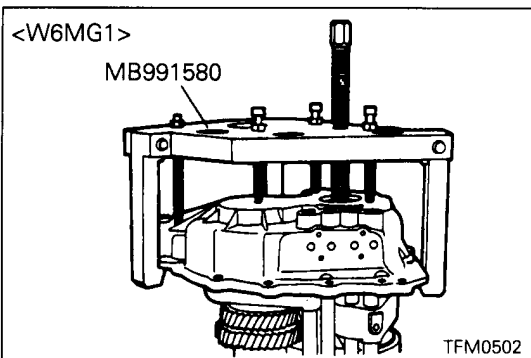
- (2) Shift the sleeves as shown in the illustration to engage gears to fix the shaft.



(3) Remove the lock bolt.



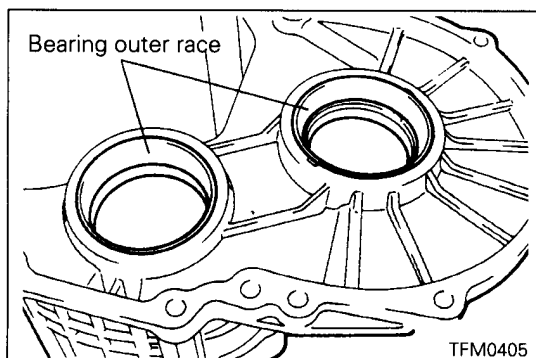
◁H▷ REAR COVER REMOVAL



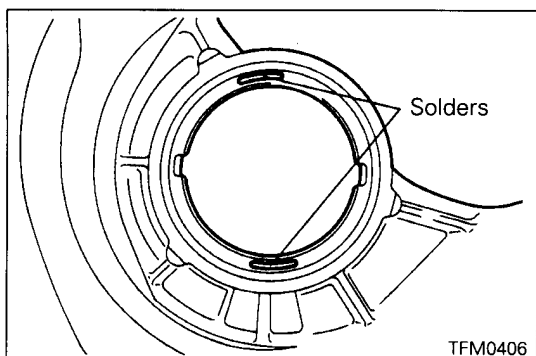
ADJUSTMENT BEFORE REASSEMBLY

SPACER SELECTION

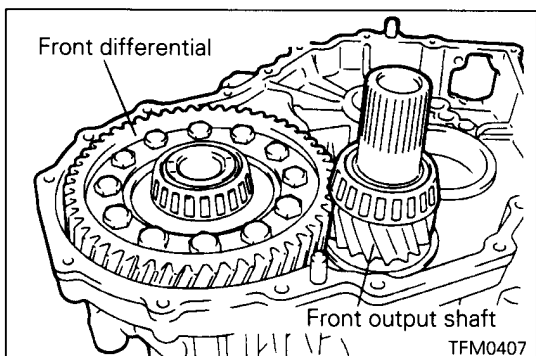
- (1) Place solders [approx. 10 mm (0.39 in.) in length and 1.6 mm (0.063 in.) in diameter] in the clutch housing as shown in the illustration and install the bearing outer races.



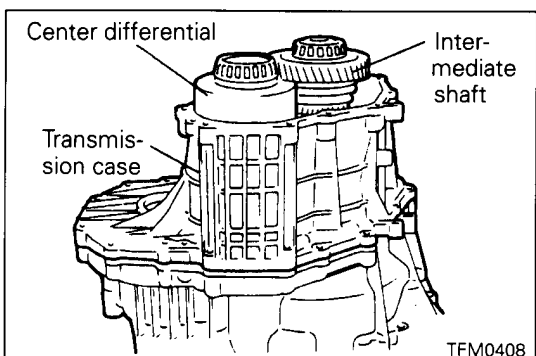
- (2) Install the bearing outer race in the transmission case as shown in the illustration.



- (3) Place solders [approx. 10 mm (0.39 in.) in length and 1.6 mm (0.063 in.) in diameter] in the transmission case as shown in the illustration and install the bearing outer race.

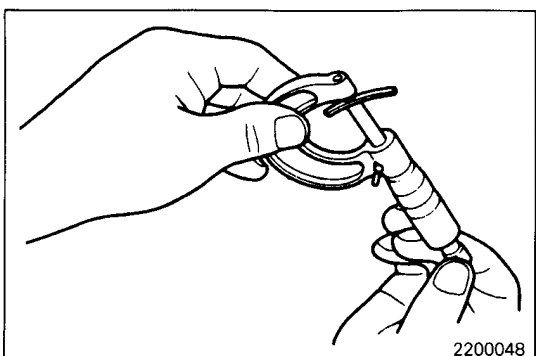


- (4) Install the front output shaft and front differential to the clutch housing.



- (5) Install the center differential, intermediate shaft and transmission case.

- (6) Install the rear cover and tighten the bolts to the specified torque.



- (7) Measure the thickness of the crushed solders using a micrometer. Based on the measurement, select the appropriate spacer to adjust the preload within the standard value.

Standard value:

Input shaft rear bearing and play
0.02–0.05 mm (0.0008–0.0020 in.)

Intermediate shaft preload
0.15–0.25 mm (0.0059–0.0098 in.) **W5MG1**
0.20–0.30 mm (0.0079–0.0118 in.) **W6MG1**

Center differential preload

0.10–0.20 mm (0.0039–0.0079 in.) W5MG1

0.15–0.20 mm (0.0059–0.0079 in.) W6MG1

Front output shaft preload

0.15–0.25 mm (0.0059–0.0098 in.) W5MG1

0.10–0.15 mm (0.0039–0.0059 in.) W6MG1

Front differential preload

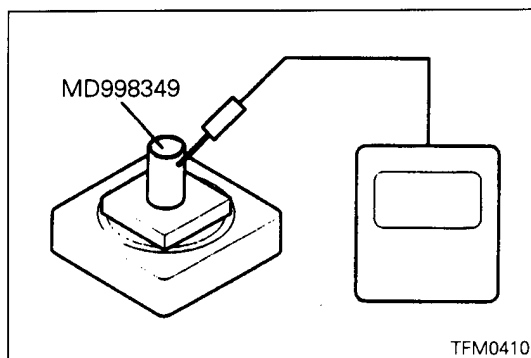
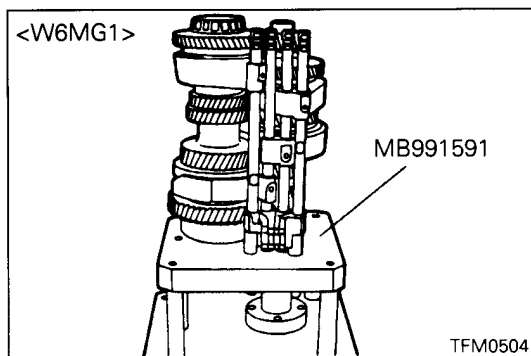
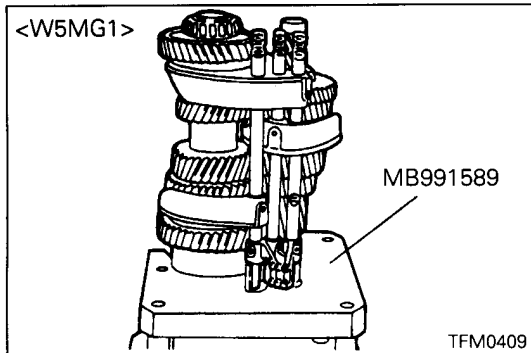
0.15–0.25 mm (0.0059–0.0098 in.) W5MG1

0.15–0.20 mm (0.0059–0.0079 in.) W6MG1

- (8) If solder were not crushed, use solders with larger diameter and repeat the above procedure (1) through (6).

REASSEMBLY SERVICE POINTS**◆A◆ REAR COVER INSTALLATION**

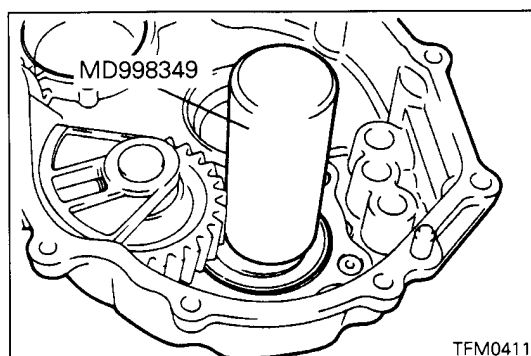
- (1) Set the intermediate shaft, input shaft and shift rail and fork to the Special Tool.



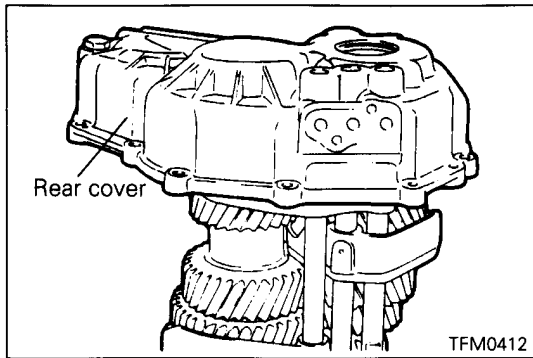
- (2) Using an electric heater, heat the Special Tool.

Specified temperature: 110–120°C (230–248°F)**Caution**

- Be careful not to burn yourself.



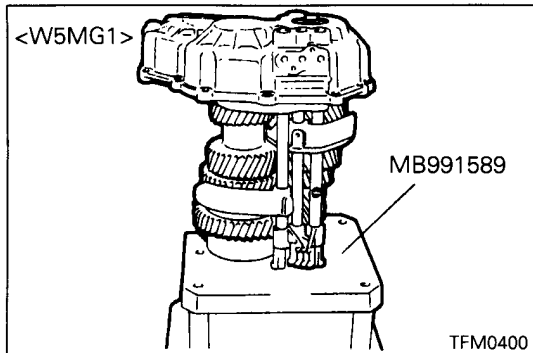
- (3) Place the heated Special Tool on the input shaft rear bearing inner race position of the rear cover for approx. 10 minutes.



(4) Remove the Special Tool and install the rear cover.

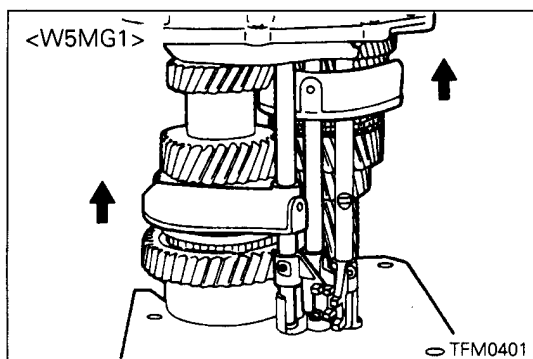
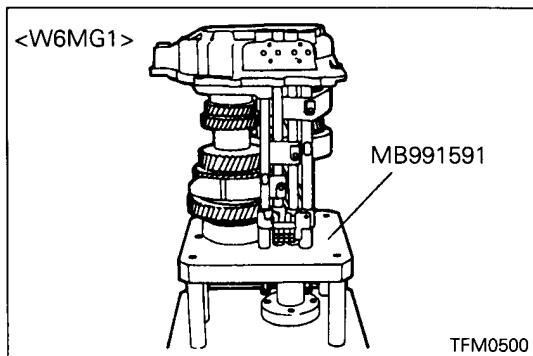
Caution

- **Never touch the Special Tool with bare hands.**

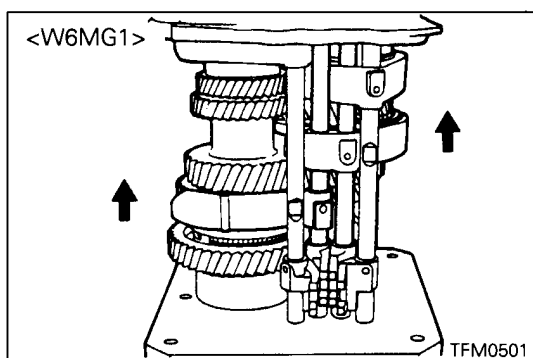


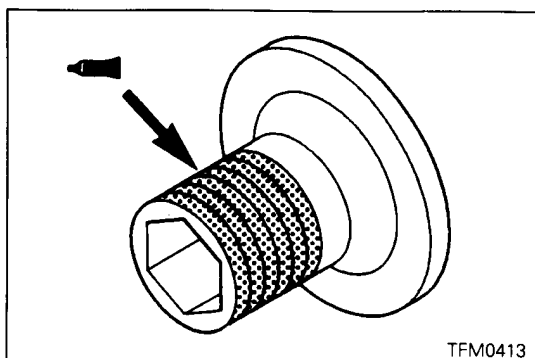
▶B◀ INPUT SHAFT LOCK BOLT INSTALLATION

(1) Set the rear cover, input shaft and intermediate shaft to the Special Tool.



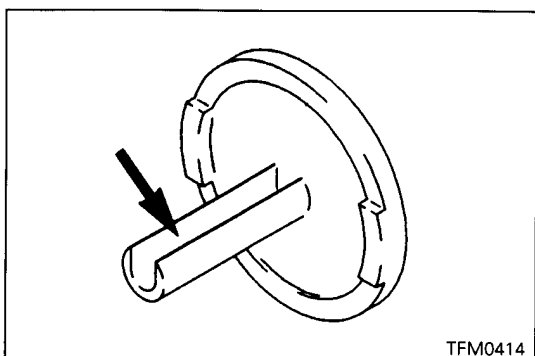
(2) Shift the sleeves as shown in the illustration to engage gears to fix the shaft.





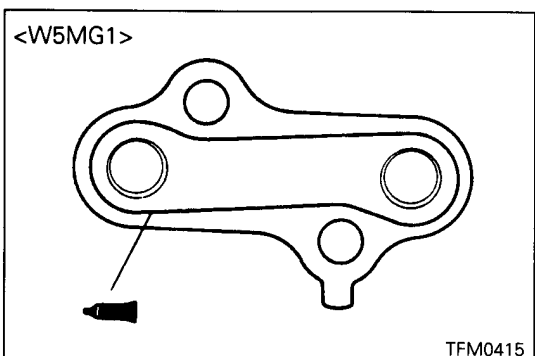
- (3) Apply sealant to the lock bolt threads and tighten the bolt to the specified torque.

Specified sealant: LOCTITE No. 242 or equivalent



◆C◆ INPUT SHAFT REAR SEAL CAP INSTALLATION

- (1) Position the groove of the seal cap toward the upper side of the transmission and strike in the seal cap until it becomes flat with the rear cover.

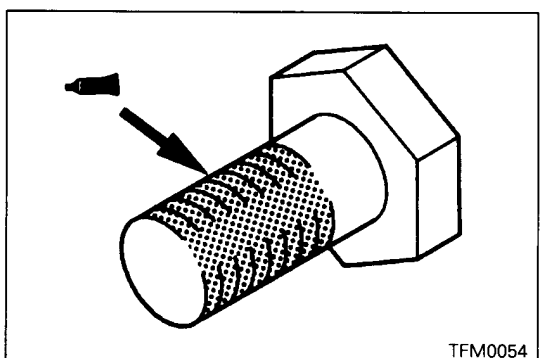
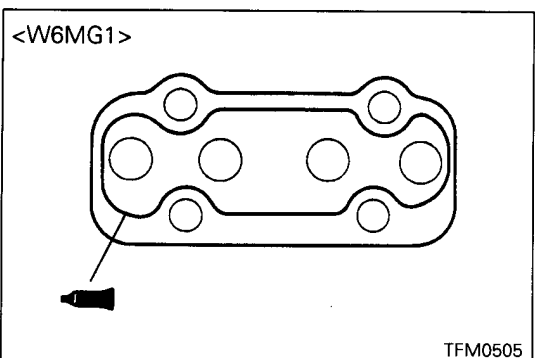


◆D◆ POPPET COVER INSTALLATION

- (1) Apply sealant to the poppet cover as shown in the illustration.

Specified sealant:
LOCTITE 17430 or MITSUBISHI genuine sealant
Part No. MD997740 or equivalent

- (2) Set the bolts to the poppet cover.

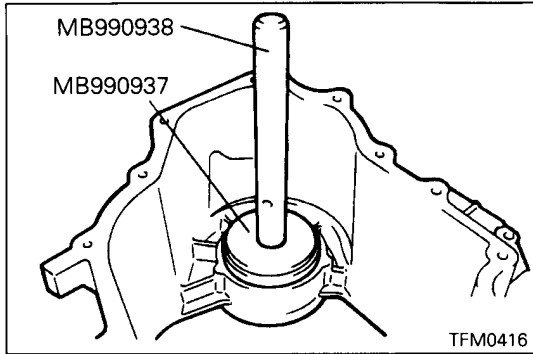


- (3) Apply sealant to the bolt threads and tighten the bolts to the specified torque.

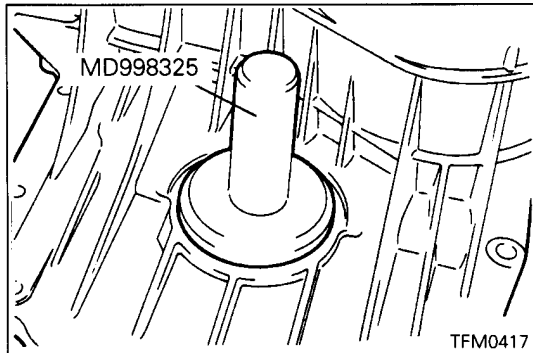
Specified sealant: LOCTITE No. 242 or equivalent

⇨E⇩ SPACER INSTALLATION

(1) Install the previously selected spacers. (See "ADJUSTMENT BEFORE REASSEMBLY").



⇨F⇩ BEARING OUTER RACE INSTALLATION

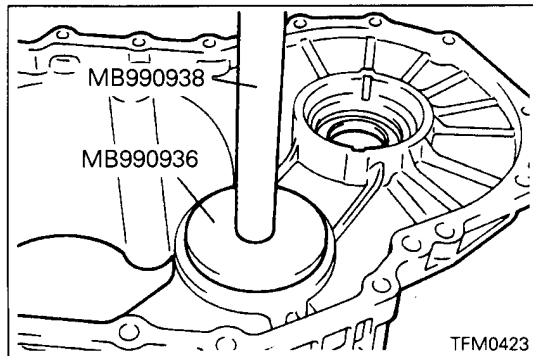


⇨G⇩ OIL SEAL INSTALLATION

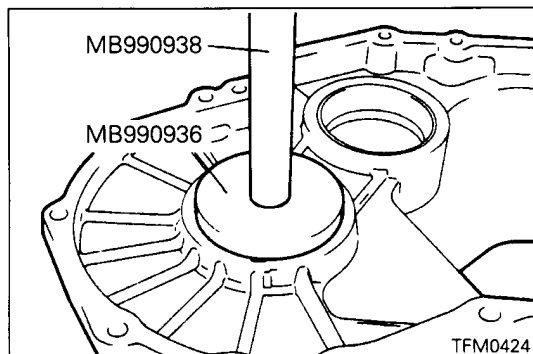
(1) After installing the oil seal, apply grease to the oil seal lips.

Specified grease:

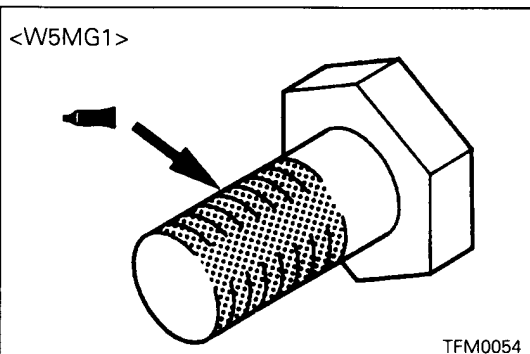
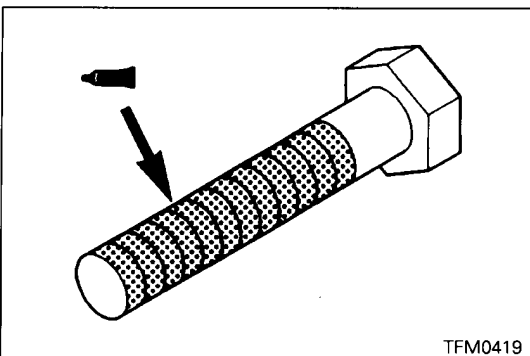
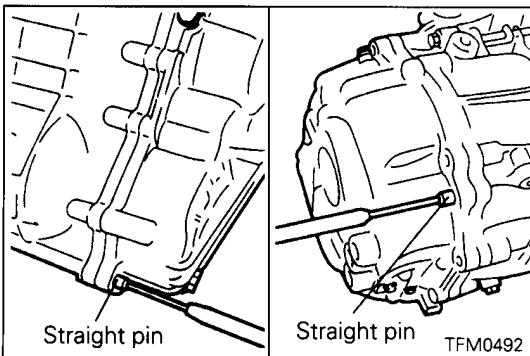
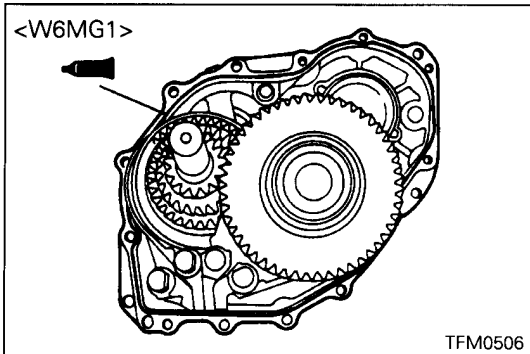
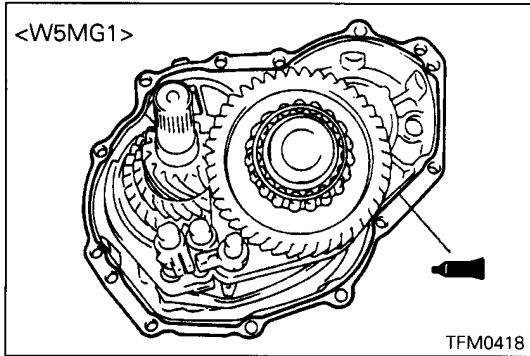
**MITSUBISHI genuine grease
Part No. 0101011 or equivalent**



⇨H⇩ BEARING OUTER RACE INSTALLATION



⇨I⇩ BEARING OUTER RACE INSTALLATION



▶J▶ TRANSMISSION CASE INSTALLATION

(1) Apply sealant to the rear cover as shown in the illustration.

Specified sealant:

**LOCTITE 17430 or MITSUBISHI genuine sealant
Part No. MD997740 or equivalent**

Caution

- Squeeze out the sealant uniformly without excess or discontinuity.

(2) Drive in the straight pin as shown in the illustration.

(3) Apply sealant to the bolt threads and tighten the bolt to the specified torque.

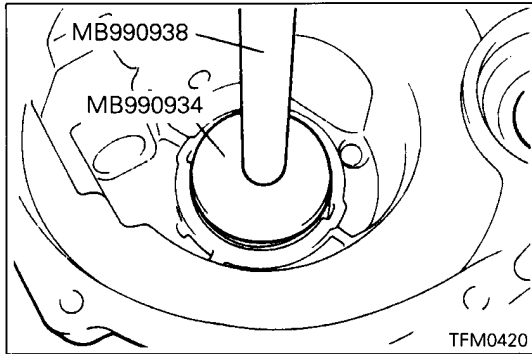
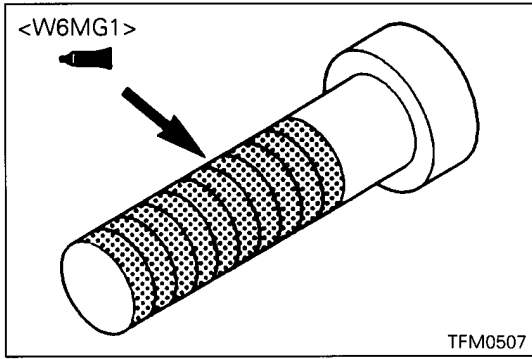
Specified sealant: LOCTITE No. 242 or equivalent

▶K▶ STOPPER PLATE INSTALLATION

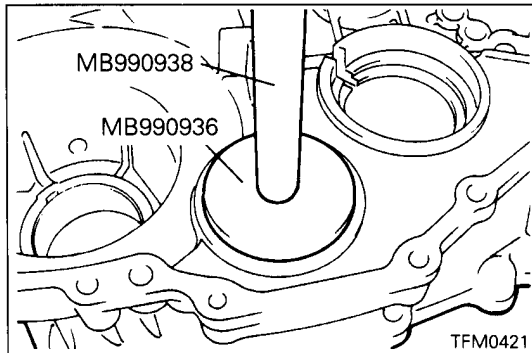
(1) Install the bolts to the stopper plate.

(2) Apply sealant to the bolt threads and tighten the bolts to the specified torque.

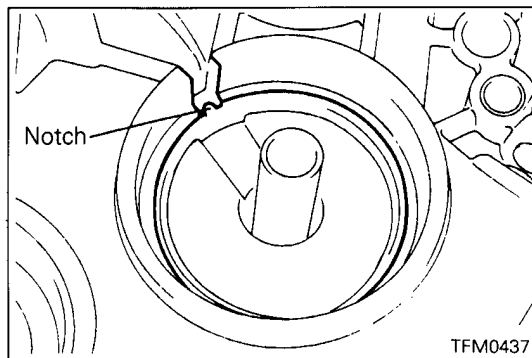
Specified sealant: LOCTITE No. 242 or equivalent



▶◀ BEARING OUTER RACE INSTALLATION



▶◀ BEARING OUTER RACE INSTALLATION

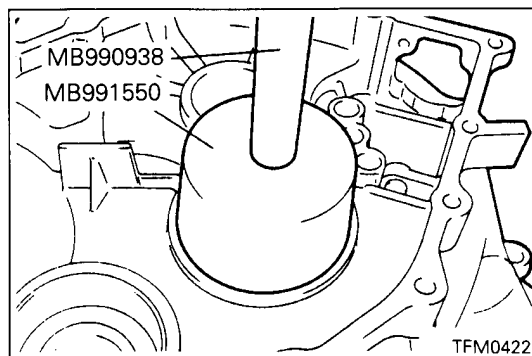


▶◀ OIL GUIDE INSTALLATION

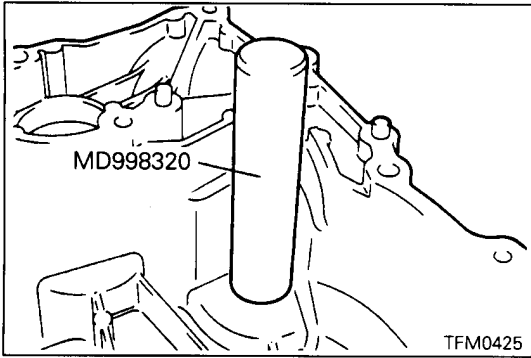
- (1) Align the notch of the oil guide with the position shown in the illustration.

Caution

- If the oil guide is damaged, replace it with a new one.



▶◀ BEARING OUTER RACE INSTALLATION

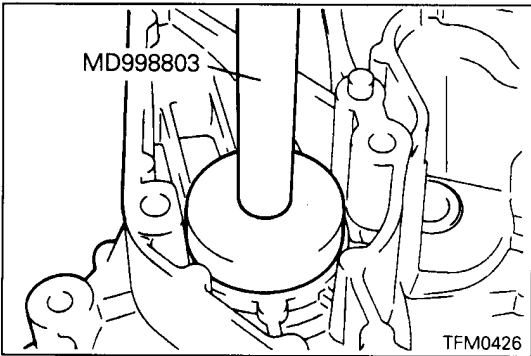


▶P▶ OIL SEAL INSTALLATION

- (1) After installing the oil seal, apply grease to the oil seal lips.

Specified grease:

**MITSUBISHI genuine grease
Part No. 0101011 or equivalent**

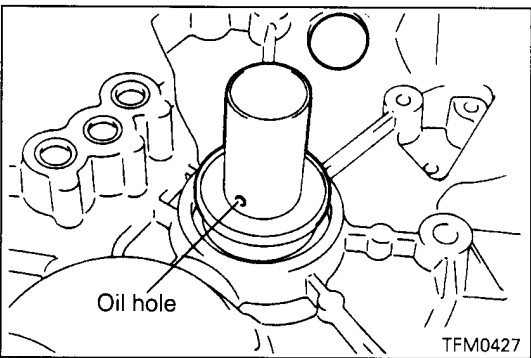


▶Q▶ OIL SEAL INSTALLATION

- (1) After installing the oil seal, apply grease to the oil seal lips.

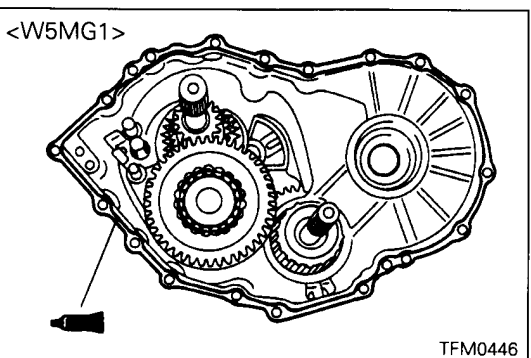
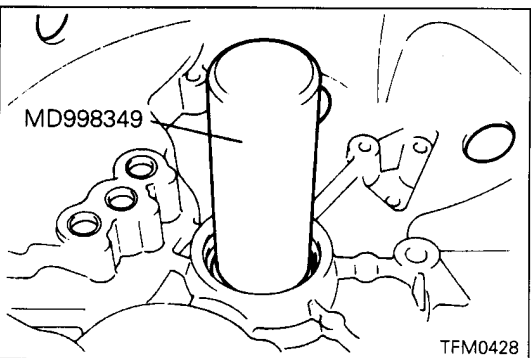
Specified grease:

**MITSUBISHI genuine grease
Part No. 0101011 or equivalent**



▶R▶ INPUT SHAFT FRONT BEARING INSTALLATION

- (1) Install the input shaft front bearing with its oil hole toward the bottom of the transmission.



▶S▶ CLUTCH HOUSING INSTALLATION

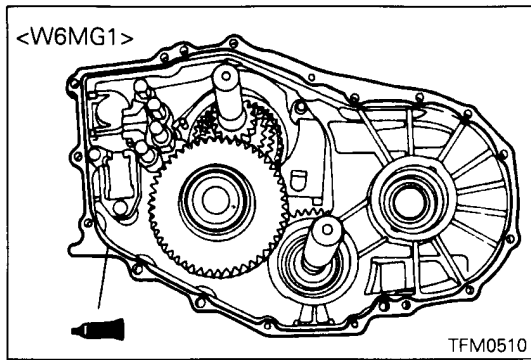
- (1) Apply sealant to the transmission case as shown in the illustration.

Specified sealant:

**LOCTITE 17430 or MITSUBISHI genuine sealant
Part No. MD997740 or equivalent**

Caution

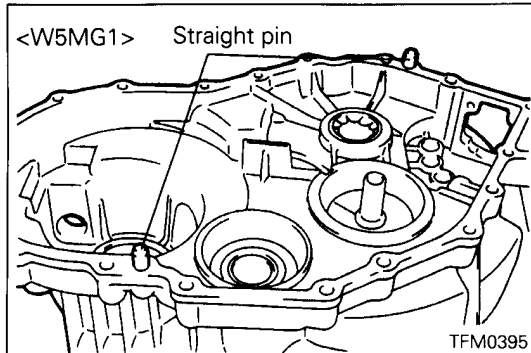
- Squeeze out the sealant uniformly without excess and discontinuity.



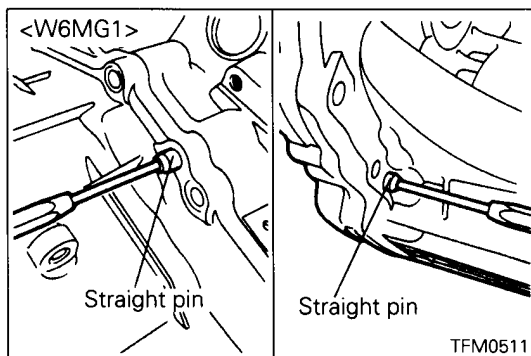
(2) Install the clutch housing.

Caution

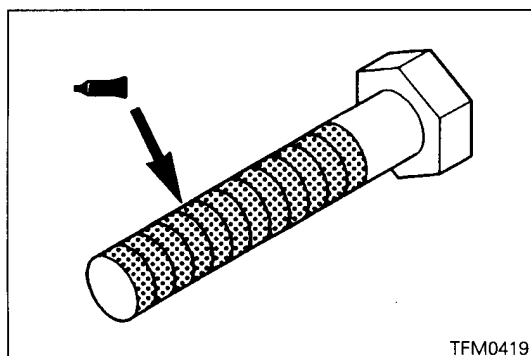
- Be careful not to damage the center shaft oil seal by the center shaft.



(3) Drive in the straight pins to the positions shown in the illustration. <W5MG1>

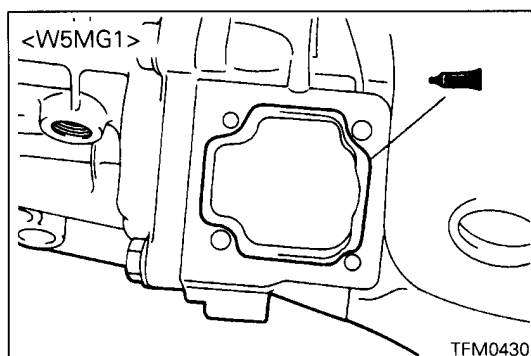


(4) Drive in the straight pin as shown in the illustration. <W6MG1>



(5) Apply sealant to the bolt threads and tighten the bolts to the specified torque.

Specified sealant: LOCTITE No. 242 or equivalent



SHIFT SHAFT INSTALLATION

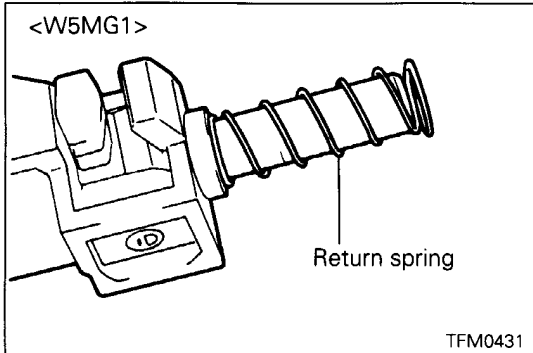
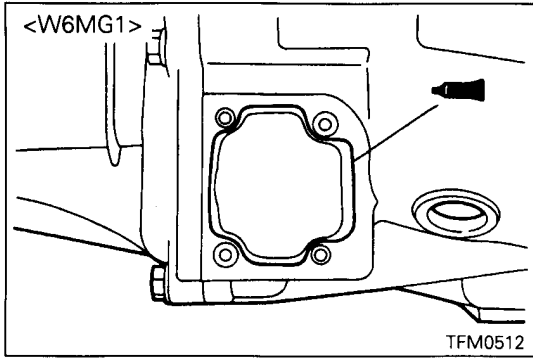
(1) Apply sealant to the clutch housing as shown in the illustration.

Specified sealant:

**LOCTITE 17430 or MITSUBISHI genuine sealant
Part No. MD997740 or equivalent**

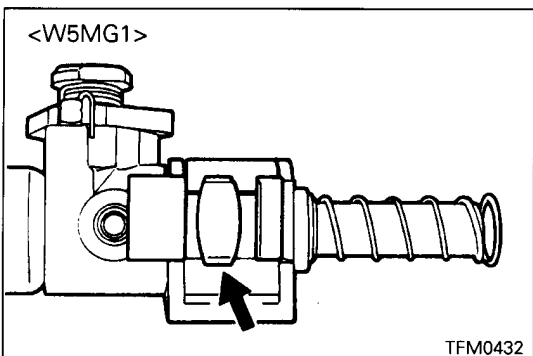
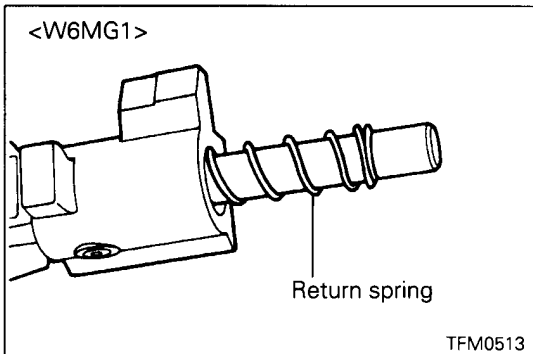
Caution

- Squeeze out the sealant uniformly without excess and discontinuity.

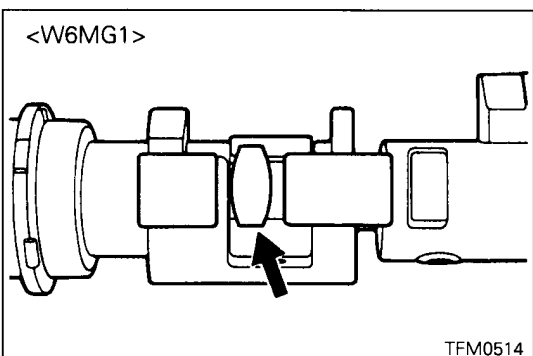


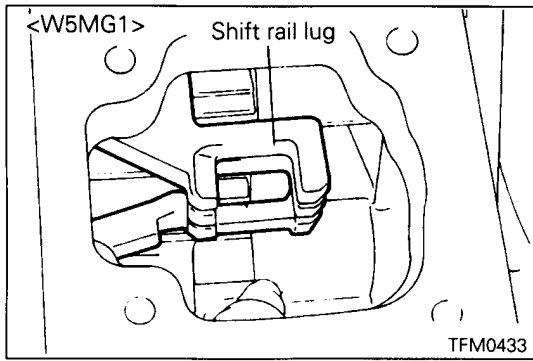
(2) Apply grease to the return spring and attach it to the shift shaft.

Specified grease:
MITSUBISHI genuine grease
Part No. 0101011 or equivalent

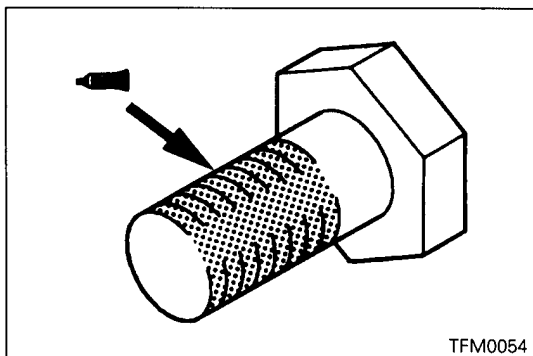
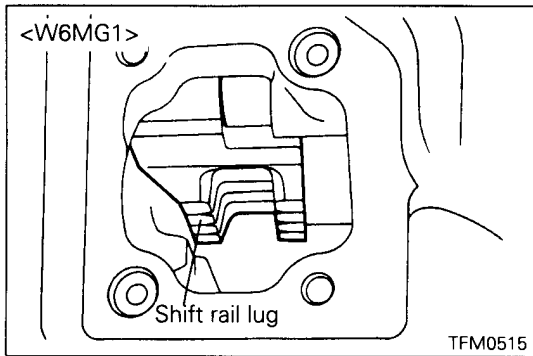


(3) Set the shift shaft as shown in the illustration.



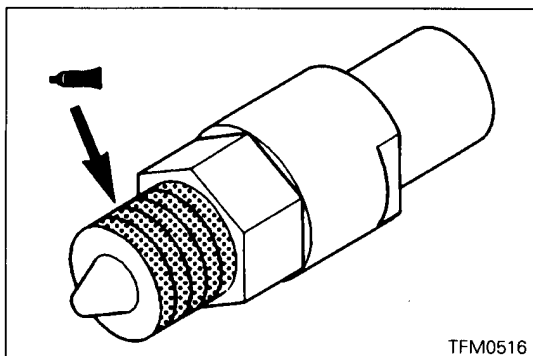


(4) Install the shift shaft while passing its tab in the grooves of shift rail lugs as shown in the illustration.



(5) Apply sealant to the bolt threads and tighten the bolts to the specified torque.

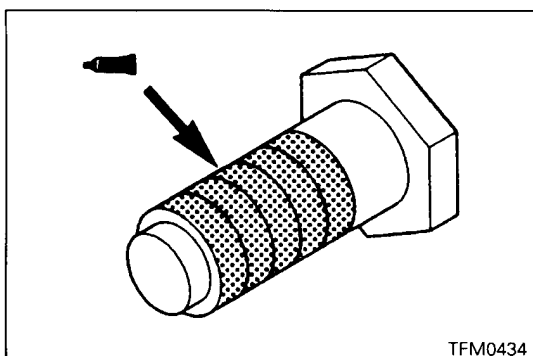
Specified sealant: LOCTITE No. 242 or equivalent



⇄ REVERSE SHIFT DAMPER INSTALLATION

(1) Apply sealant to the threads of the reverse shift damper and tighten it to the specified torque.

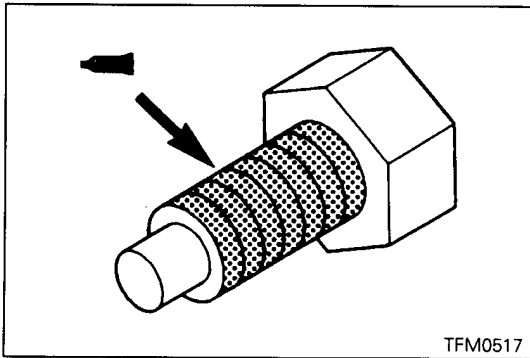
Specified sealant: LOCTITE No. 242 or equivalent



⇄ SHIFT SHAFT HEXAGON BOLTS INSTALLATION

(1) Apply sealant to the bolt threads and tighten the bolts to the specified torque.

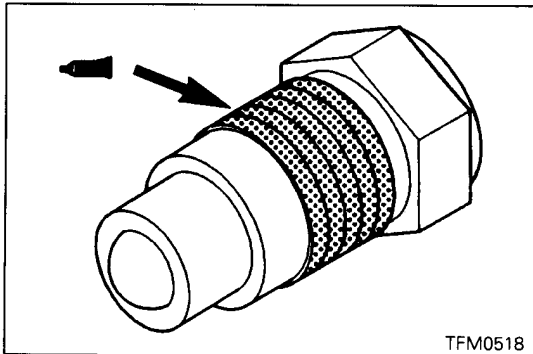
Specified sealant: LOCTITE No. 242 or equivalent



▶W▶ GUIDE BOLT INSTALLATION

- (1) Apply sealant to the bolt threads and tighten the bolt to the specified torque.

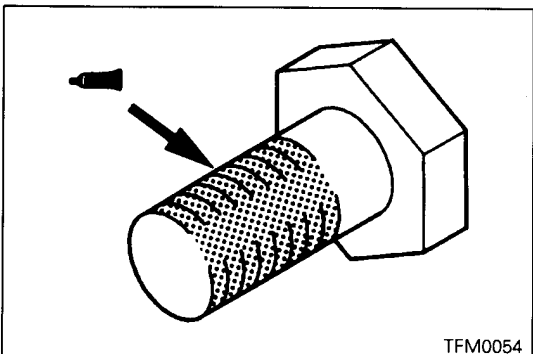
Specified sealant: LOCTITE No. 242 or equivalent



▶X▶ DETENT INSTALLATION

- (1) Apply sealant to the threads of the detent and tighten it to the specified torque.

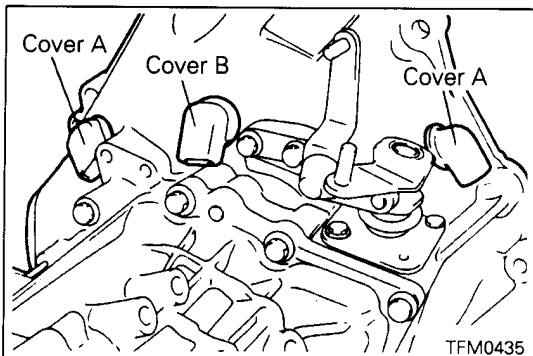
Specified sealant: LOCTITE No. 242 or equivalent



▶Y▶ SELECT LEVER INSTALLATION

- (1) Apply sealant to the bolt threads and tighten the bolts to the specified torque.

Specified sealant: LOCTITE No. 242 or equivalent



▶Z▶ COVER INSTALLATION

- (1) Install the cover as shown in the illustration.

▶AA▶ TRANSFER INSTALLATION

- (1) Apply grease to the transmission and transfer splines.

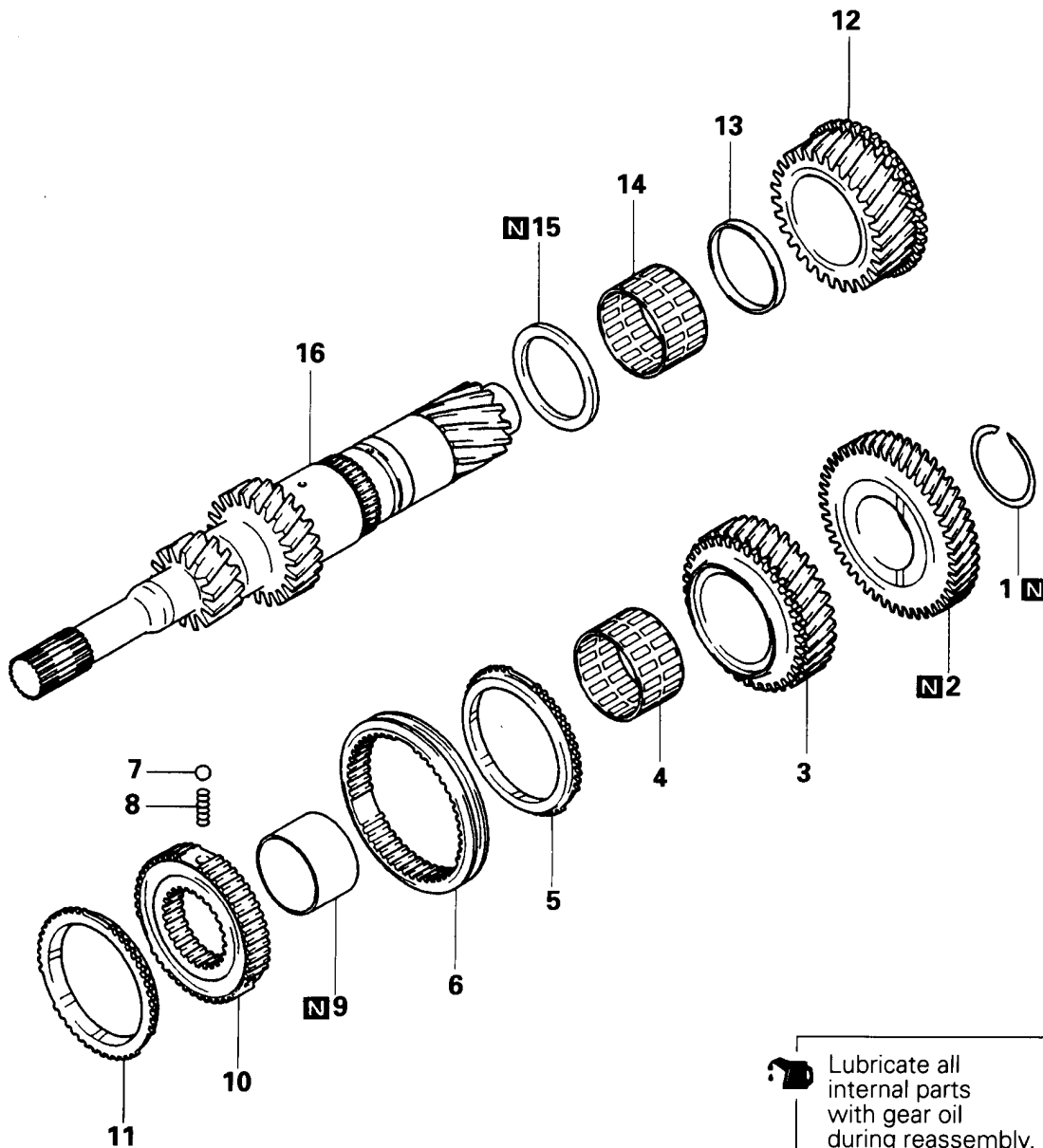
Specified grease:

mitsubishi genuine grease

Part No. 0101011 or equivalent


4. INPUT SHAFT

DISASSEMBLY AND REASSEMBLY <W5MG1>

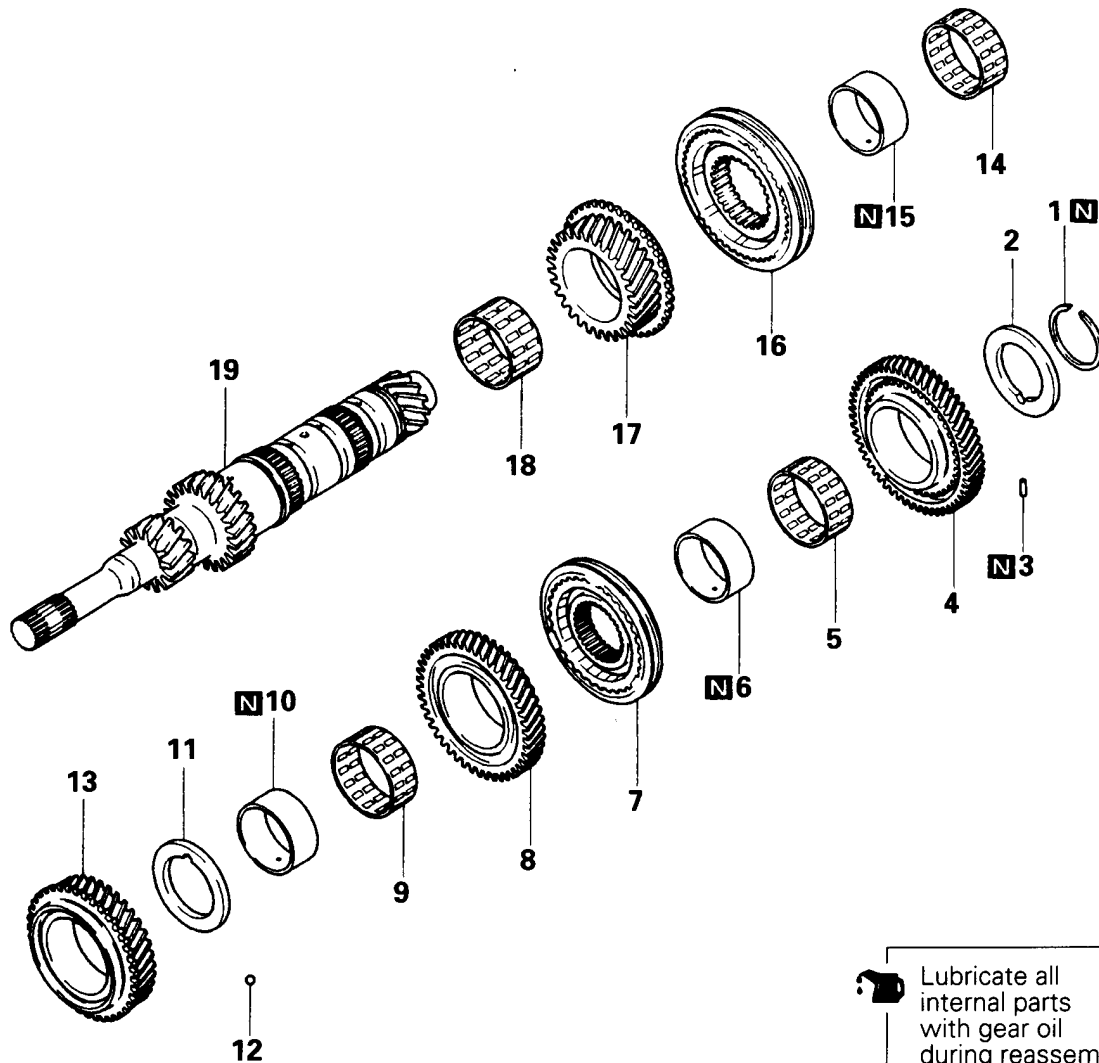


Disassembly steps

- | | | | |
|-----|------------------------|-----|--------------------------------|
| | 1. Snap ring | | 9. Bearing sleeve |
| ◁A▷ | 2. 5th speed gear | ◁D▷ | 10. 3rd – 4th synchronizer hub |
| | 3. 4th speed gear | ◆B◆ | 11. Synchronizer ring |
| | 4. Needle bearing | | 12. 3rd speed gear |
| | 5. Synchronizer ring | | 13. Bearing spacer |
| ◁B▷ | 6. Synchronizer sleeve | | 14. Needle bearing |
| | 7. Synchronizer ball | | 15. Spacer ring |
| | 8. Synchronizer spring | ◆A◆ | 16. Input shaft |

 Lubricate all internal parts with gear oil during reassembly.

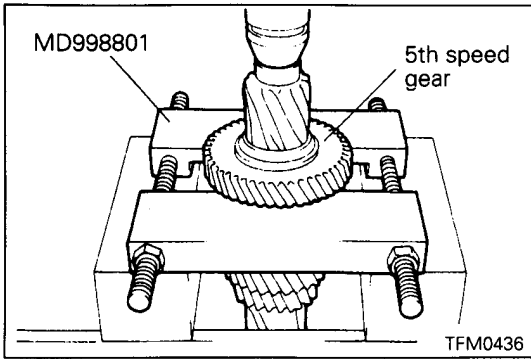
DISASSEMBLY AND REASSEMBLY <W6MG1>



Disassembly steps

- | | | | |
|---------|---------------------------|---------|----------------------------|
| | 1. Snap ring | | |
| ↙L↘ | 2. Spacer | ↙F↘ | 11. Spacer |
| | 3. Spring pin | | 12. Steel ball |
| | 4. 6th speed gear | | 13. 4th speed gear |
| | 5. Needle bearing | | 14. Needle bearing |
| ↙C↘ ↙J↘ | 6. Bearing sleeve | ↙F↘ ↙E↘ | 15. Bearing sleeve |
| ↙I↘ | 7. 5th – 6th synchronizer | ↙C↘ | 16. 3rd – 4th synchronizer |
| | 8. 5th speed gear | | 17. 3rd speed gear |
| | 9. Needle bearing | | 18. Needle bearing |
| ↙E↘ ↙G↘ | 10. Bearing sleeve | | 19. Input shaft |

Lubricate all internal parts with gear oil during reassembly.

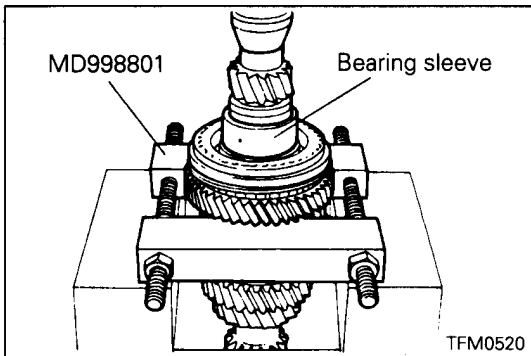


DISASSEMBLY SERVICE POINTS

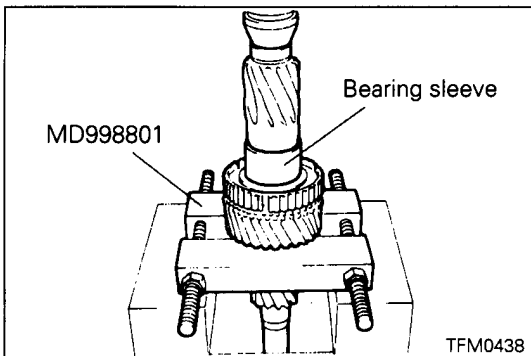
◊A◊ 5TH SPEED GEAR REMOVAL

◊B◊ SYNCHRONIZER SLEEVE REMOVAL

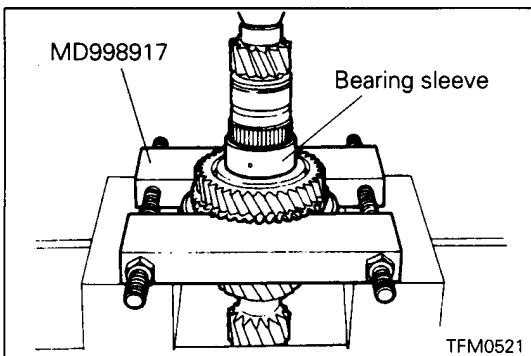
- (1) Remove the sleeve while covering it with hands. Be careful not to lose the synchronizer balls and springs as they may jump off when the sleeve is removed.



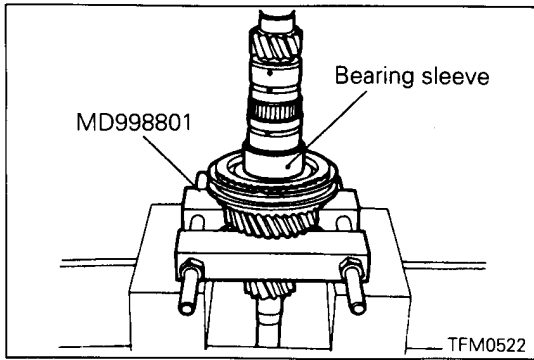
◊C◊ BEARING SLEEVE REMOVAL



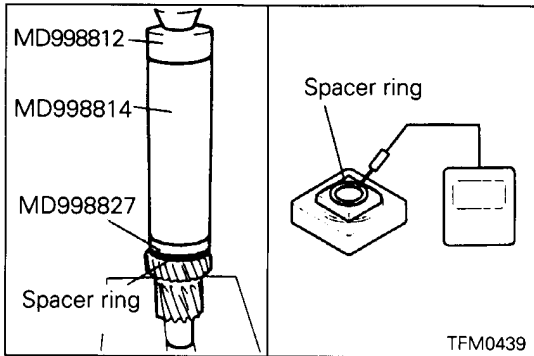
◊D◊ BEARING SLEEVE REMOVAL



◊E◊ BEARING SLEEVE REMOVAL



⇄F⇄ BEARING SLEEVE REMOVAL



REASSEMBLY SERVICE POINTS

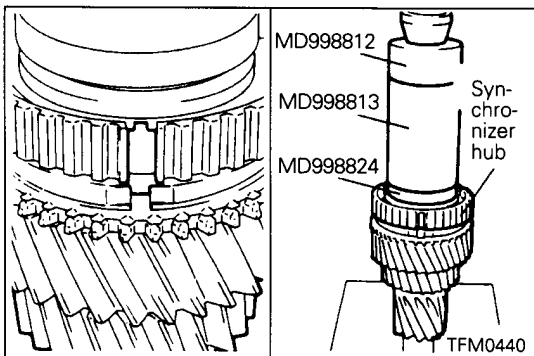
⇄A⇄ SPACER RING INSTALLATION

- (1) Using an electric heater and a thick iron plate, slowly heat the spacer ring via the plate.

Specified temperature: 110 – 120°C (230 – 248°F)

Caution

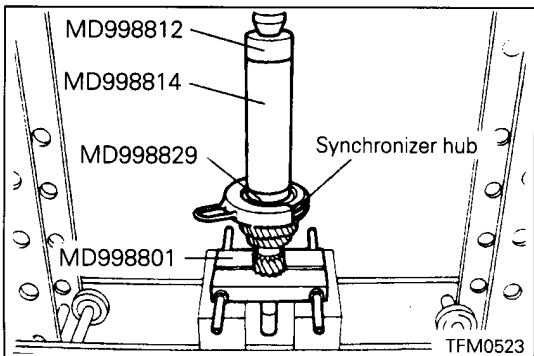
- Never overheat. If too high temperature is applied, the material strength becomes weaker.
- Be careful not to burn yourself.



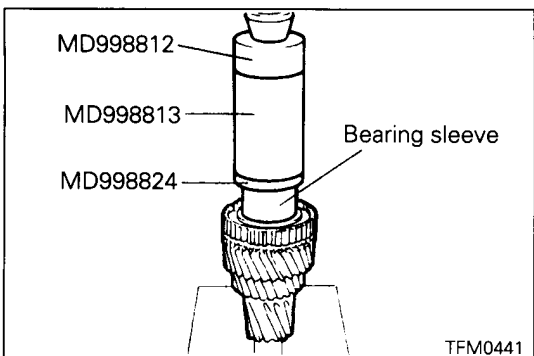
⇄B⇄ 3RD – 4TH SPEED SYNCHRONIZER HUB INSTALLATION

Caution

- Align the synchronizer hub and ring as shown in the illustration.



⇄C⇄ 3RD – 4TH SYNCHRONIZER INSTALLATION



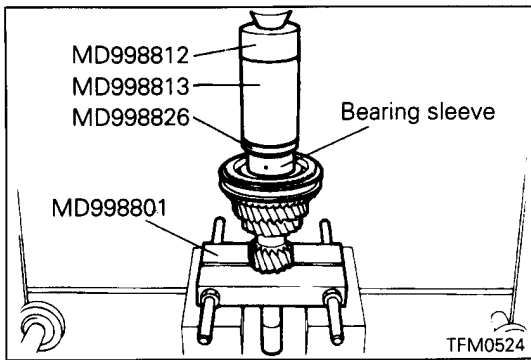
⇄D⇄ BEARING SLEEVE INSTALLATION

- (1) Using an electric heater and a thick iron plate, slowly heat the sleeve via the plate.

Specified temperature: 110 – 120°C (230 – 248°F)

Caution

- Never overheat. If too high temperature is applied, the material strength becomes weaker.
- Be careful not to burn yourself.



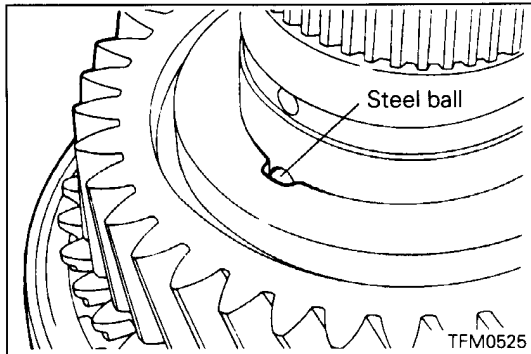
▶E◀ BEARING SLEEVE INSTALLATION

- (1) Using an electric heater and a thick iron plate, slowly heat the sleeve via the plate.

Specified temperature: 110 – 120°C (230 – 248°F)

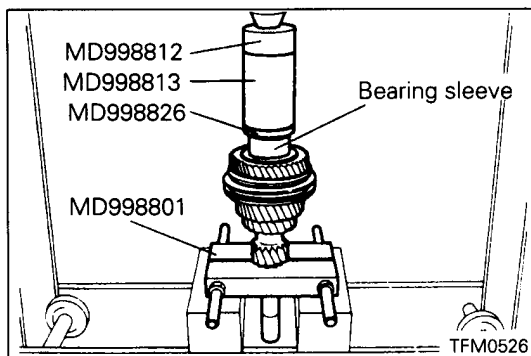
Caution

- **Never overheat. If too high temperature is applied, the material strength becomes weaker.**
- **Be careful not to burn yourself.**



▶F◀ SPACER INSTALLATION

- (1) Install the spacer while aligning the groove of the spacer with the steel ball.



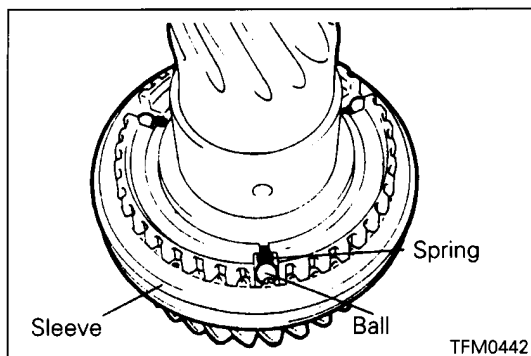
▶G◀ BEARING SLEEVE INSTALLATION

- (1) Using an electric heater and a thick iron plate, slowly heat the sleeve via the plate.

Specified temperature: 110 – 120°C (230 – 248°F)

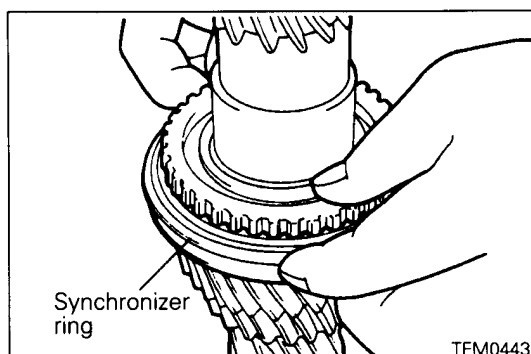
Caution

- **Never overheat. If too high temperature is applied, the material strength becomes weaker.**
- **Be careful not to burn yourself.**



▶H◀ SYNCHRONIZER SPRING / BALL / SLEEVE / RING INSTALLATION

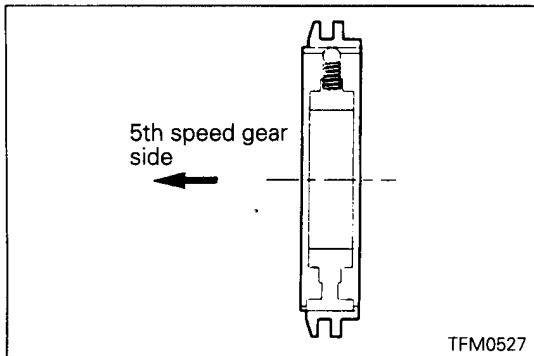
- (1) Install the sleeve on the synchronizer hub and shift it to the 3rd speed gear side.
- (2) Install the synchronizer springs and balls. (3 places)



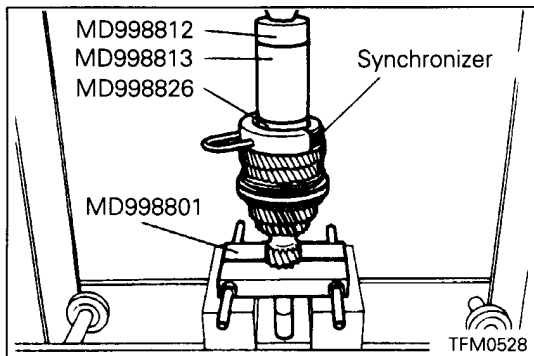
- (3) Install the synchronizer ring.
- (4) While pressing the synchronizer ring with fingers, slide the sleeve to the 4th speed gear side.

NOTE

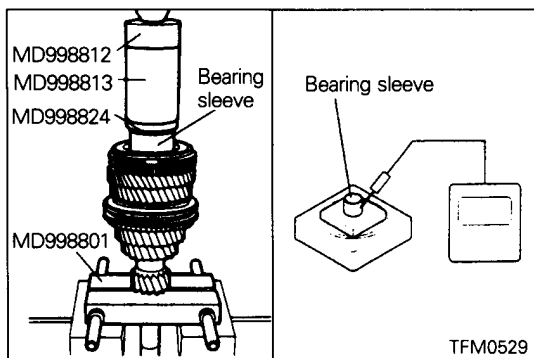
Sliding the sleeve to the 4th speed gear side positions the balls at the center of the sleeve.



◆I◆ 5TH – 6TH SYNCHRONIZER INSTALLATION



◆J◆ BEARING SLEEVE INSTALLATION



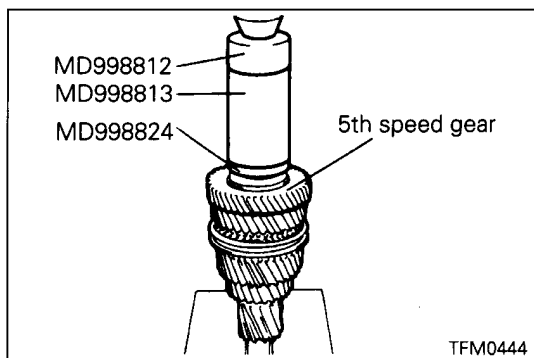
- (1) Using an electric heater and a thick iron plate, slowly heat the sleeve via the plate.

Specified temperature: 110 – 120°C (230 – 248°F)

Caution

- Never overheat. If too high temperature is applied, the material strength becomes weaker.
- Be careful not to burn yourself.

◆K◆ 5TH SPEED GEAR INSTALLATION



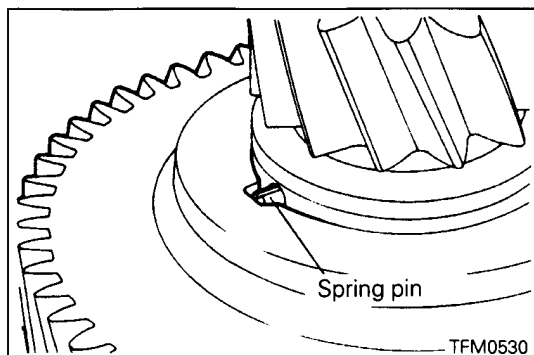
- (1) Using an electric heater and a thick iron plate, slowly heat the gear via the plate.

Specified temperature: 160 – 180°C (320 – 356°F)

Caution

- Never overheat. If too high temperature is applied, the material strength becomes weaker.
- Be careful not to burn yourself.

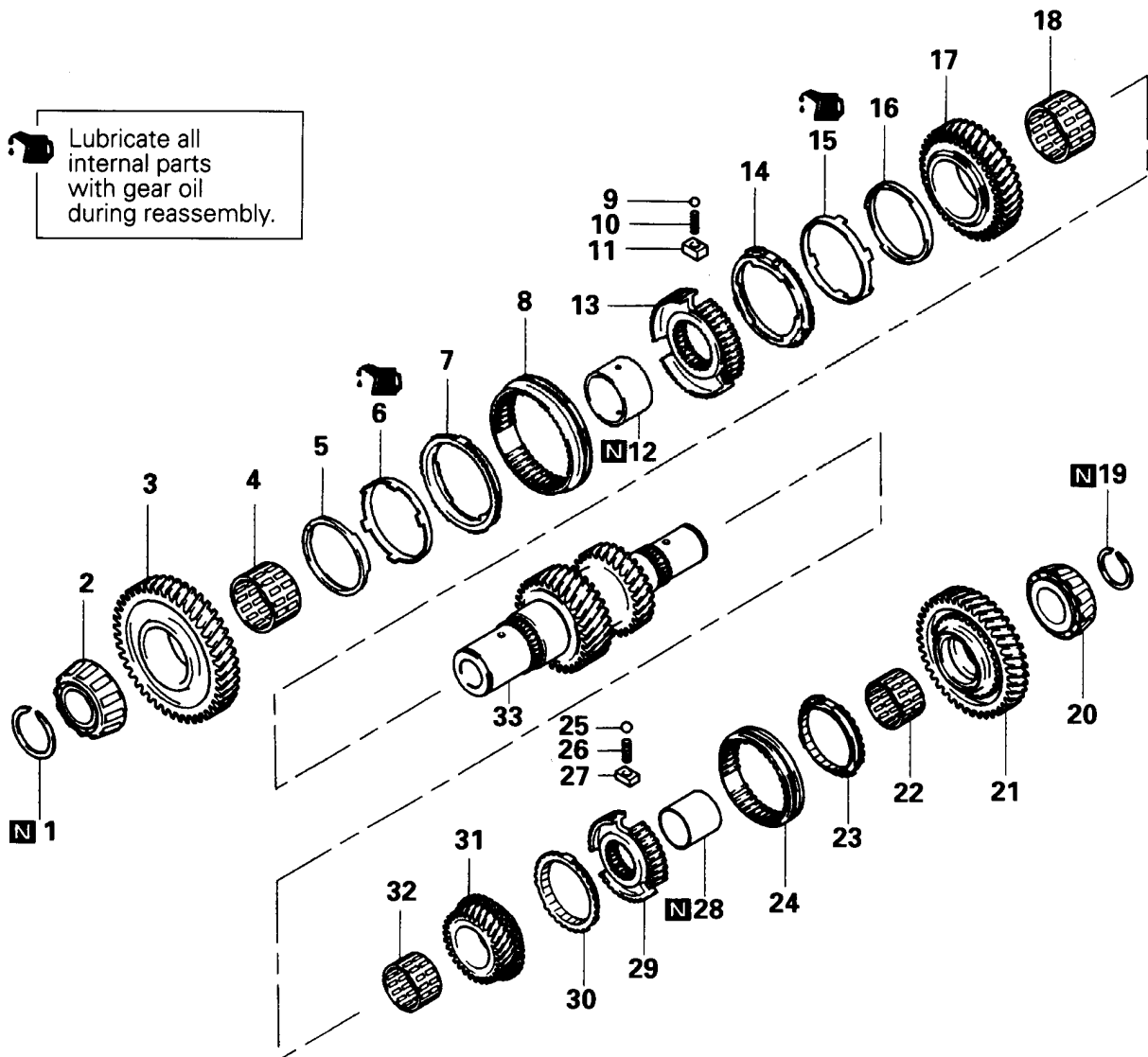
◆L◆ SPACER INSTALLATION



- (1) Install the spacer while aligning the groove of the spacer with the spring pin.

5. INTERMEDIATE GEAR


DISASSEMBLY AND REASSEMBLY <W5MG1>

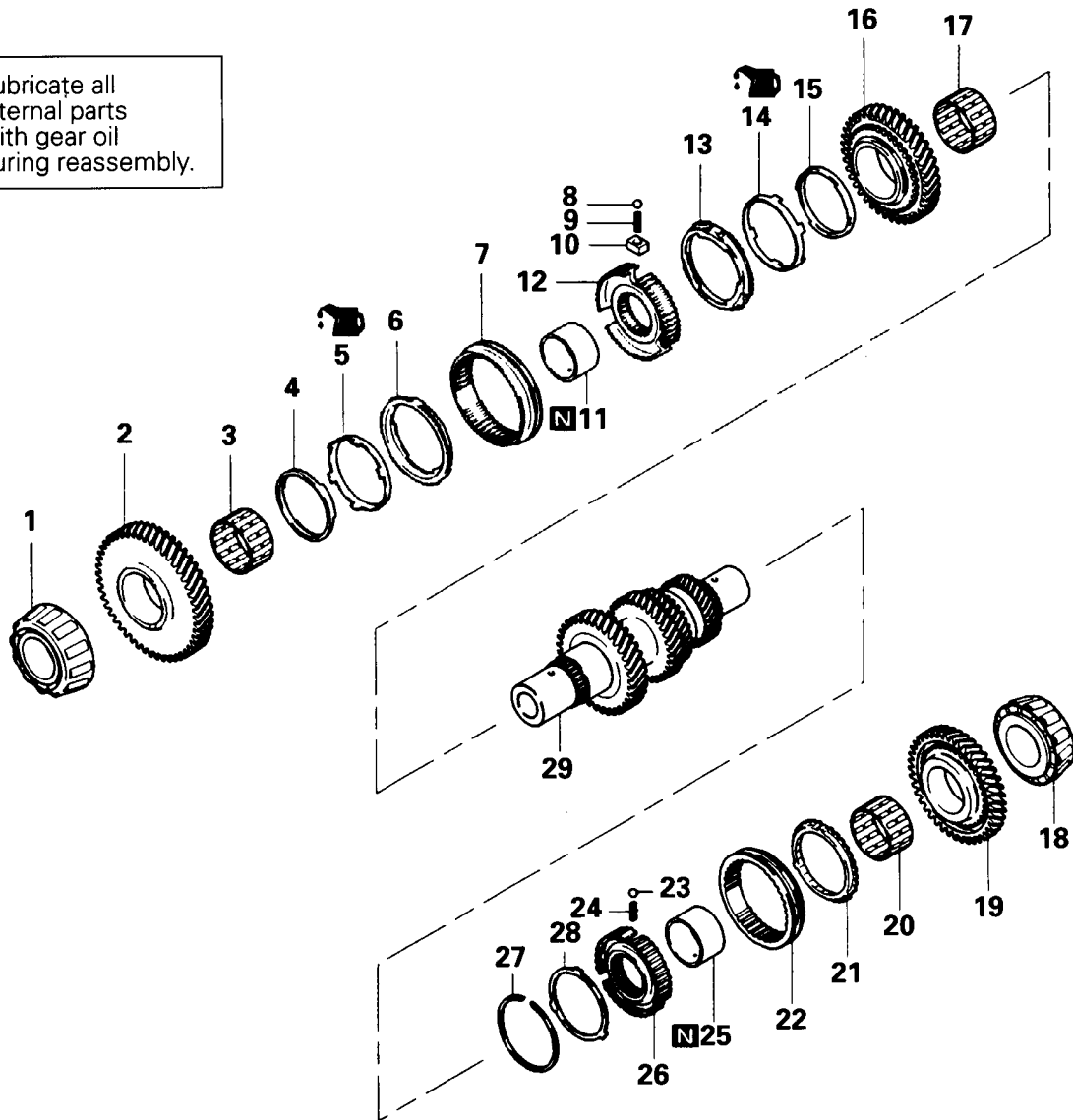


Disassembly steps

- | | | |
|---------|--------------------------------|------------------------------------|
| | 1. Snap ring | 17. 2nd speed gear |
| ◊A◊ ◊K◊ | 2. Bearing inner race | 18. Needle bearing |
| | 3. 1st speed gear | 19. Snap ring |
| | 4. Needle bearing | ◊D◊ ◊F◊ |
| | 5. Inner synchronizer ring | 20. Bearing inner race |
| ◊G◊ | 6. Synchronizer cone | 21. Reverse gear |
| ◊J◊ | 7. Outer synchronizer ring | 22. Needle bearing |
| ◊B◊ ◊J◊ | 8. Synchronizer sleeve | ◊D◊ |
| ◊J◊ | 9. Synchronizer ball | ◊D◊ |
| ◊J◊ | 10. Synchronizer spring | ◊D◊ |
| ◊J◊ | 11. Synchronizer key | ◊D◊ |
| ◊C◊ ◊I◊ | 12. Bearing sleeve | ◊D◊ |
| ◊H◊ | 13. 1st - 2nd synchronizer hub | ◊E◊ ◊C◊ |
| ◊G◊ | 14. Outer synchronizer ring | ◊A◊ |
| | 15. Synchronizer cone | 29. 5th - reverse synchronizer hub |
| | 16. Inner synchronizer ring | 30. Synchronizer ring |
| | | 31. 5th speed gear |
| | | 32. Needle bearing |
| | | 33. Intermediate gear |

DISASSEMBLY AND REASSEMBLY <W6MG1>

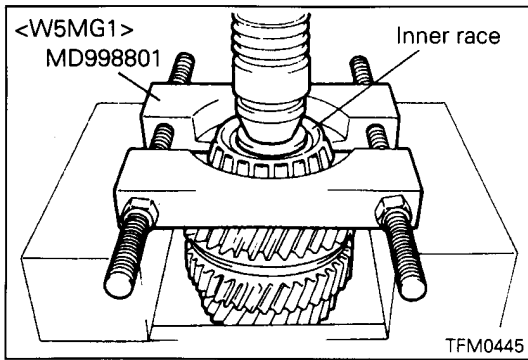
 Lubricate all internal parts with gear oil during reassembly.



Disassembly steps

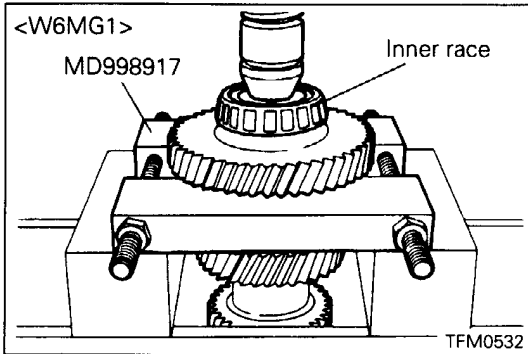
- ◊A◊ ◊K◊ 1. Bearing inner race
- 2. 1st speed gear
- 3. Needle bearing
- 4. Inner synchronizer ring
- ◊G◊ 5. Synchronizer cone
- ◊J◊ 6. Outer synchronizer ring
- ◊B◊ ◊J◊ 7. Synchronizer sleeve
- ◊J◊ 8. Synchronizer ball
- ◊J◊ 9. Synchronizer spring
- ◊J◊ 10. Synchronizer key
- ◊C◊ ◊I◊ 11. Bearing sleeve
- ◊H◊ 12. 1st – 2nd synchronizer hub
- 13. Outer synchronizer ring
- ◊G◊ 14. Synchronizer cone
- 15. Inner synchronizer ring

- 16. 2nd speed gear
- 17. Needle bearing
- ◊D◊ ◊F◊ 18. Bearing inner race
- 19. Reverse gear
- 20. Needle bearing
- ◊E◊ 21. Synchronizer ring
- ◊B◊ ◊E◊ 22. Reverse synchronizer sleeve
- ◊E◊ 23. Synchronizer ball
- ◊E◊ 24. Synchronizer spring
- ◊E◊ ◊C◊ 25. Bearing sleeve
- ◊B◊ 26. Reverse synchronizer hub
- 27. Snap ring
- 28. Stopper plate
- 29. Intermediate shaft



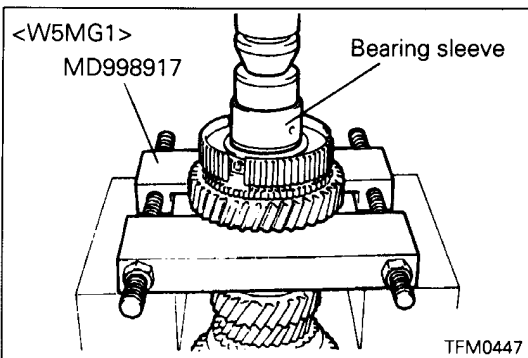
DISASSEMBLY SERVICE POINTS

◊A◊ BEARING INNER RACE REMOVAL

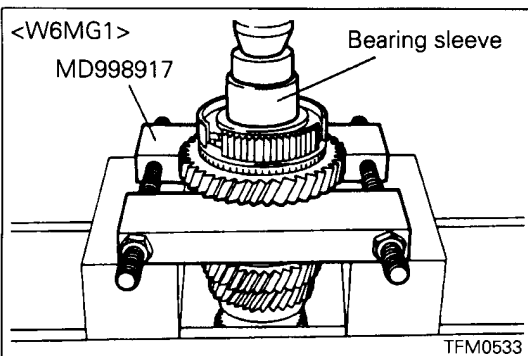


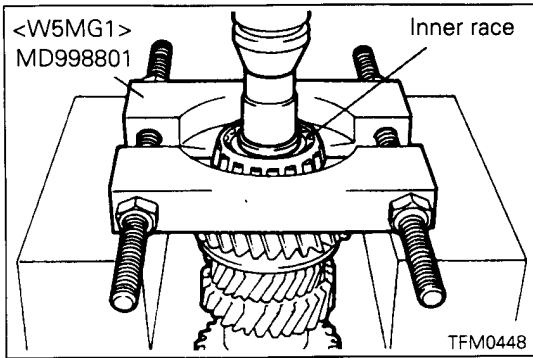
◊B◊ SYNCHRONIZER SLEEVE REMOVAL

- (1) Remove the sleeve while covering it with hands. Be careful not to lose the synchronizer balls and springs as they may jump off when the sleeve is removed.

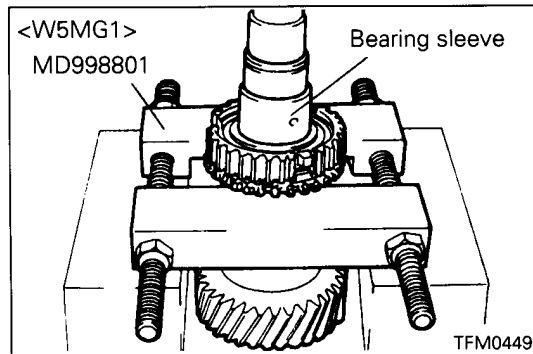
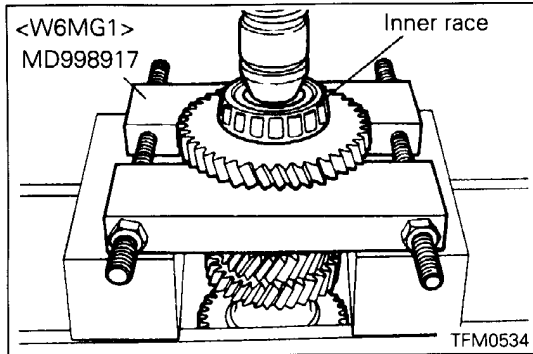


◊C◊ BEARING SLEEVE REMOVAL

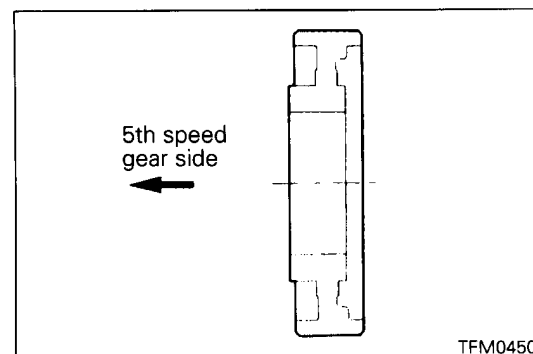
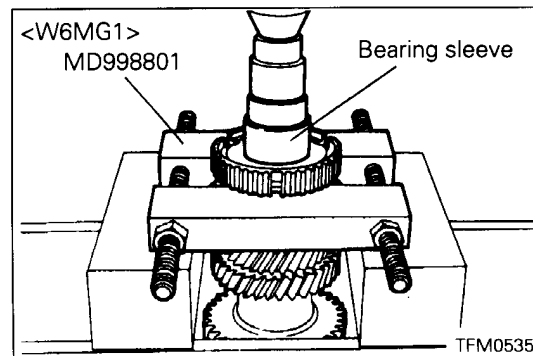




⇄D⇄ BEARING INNER RACE REMOVAL

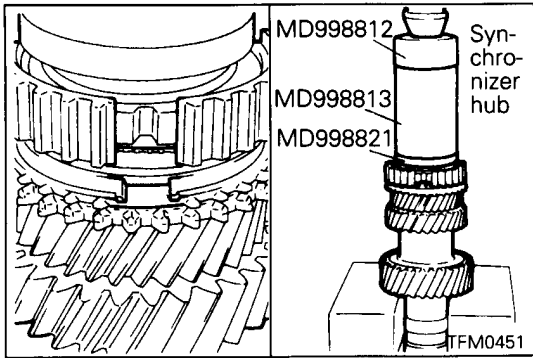


⇄E⇄ BEARING SLEEVE REMOVAL



REASSEMBLY SERVICE POINTS

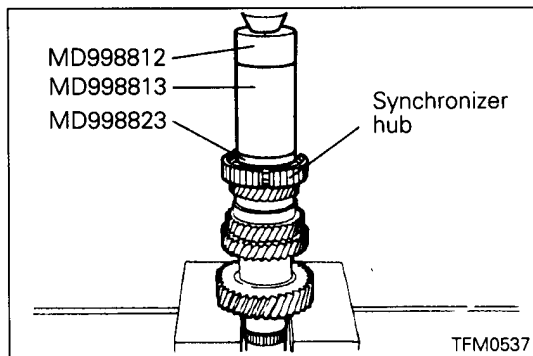
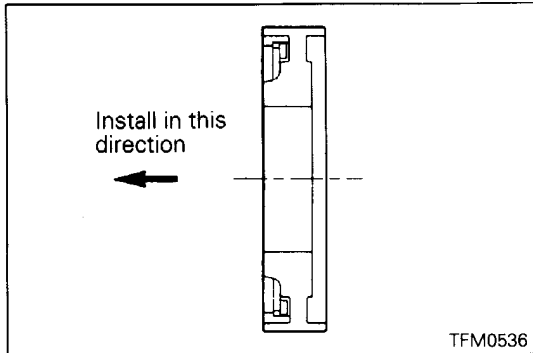
⇄A⇄ 5TH – REVERSE SYNCHRONIZER HUB INSTALLATION



Caution

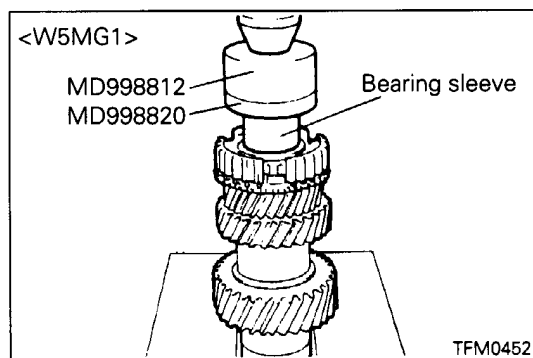
- Align the synchronizer hub and ring as shown in the illustration.

⇄B⇄ REVERSE SYNCHRONIZER HUB INSTALLATION



Caution

- Align the synchronizer hub and ring as shown in the illustration.



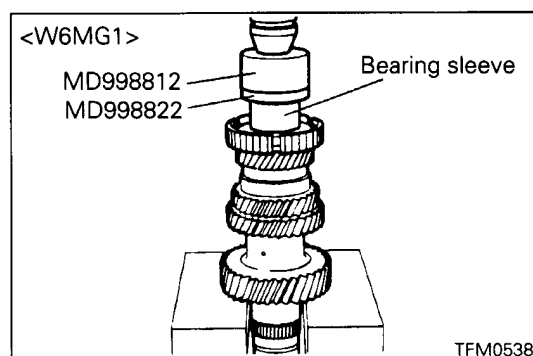
⇄C⇄ BEARING SLEEVE INSTALLATION

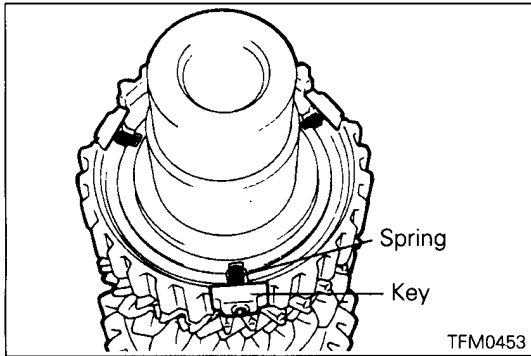
- (1) Using an electric heater and a thick iron plate, slowly heat the sleeve via the plate.

Specified temperature: 110 – 120°C (230 – 248°F)

Caution

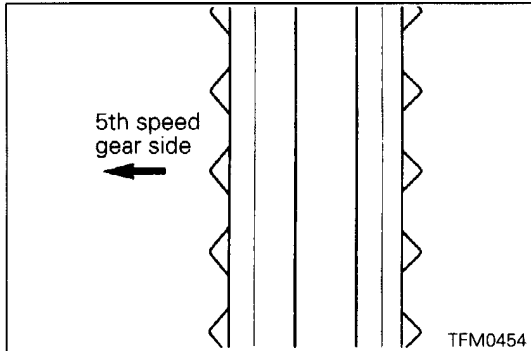
- Never overheat. If too high temperature is applied, the material strength becomes weaker.
- Be careful not to burn yourself.



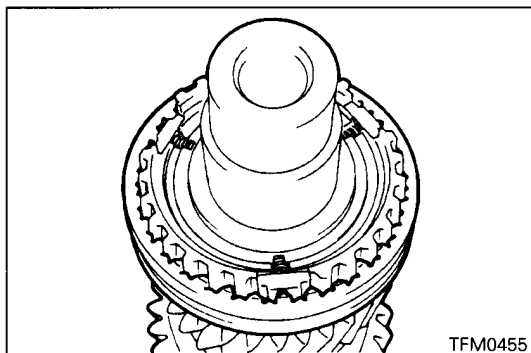


◆D◆ SYNCHRONIZER KEY / SPRING / BALL / SLEEVE / RING INSTALLATION

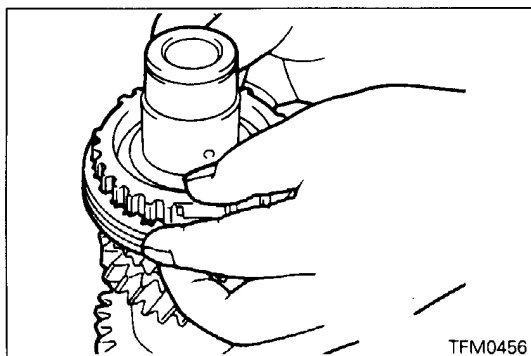
- (1) Install the keys and springs to the synchronizer hub. (3 places)



- (2) Make sure that the synchronizer sleeve is positioned in correct direction.



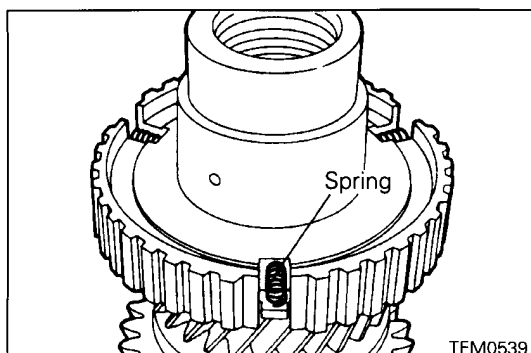
- (3) Install the sleeve with its projections aligned with the deep grooves in the synchronizer hub.
- (4) Shift the synchronizer sleeve to the 5th speed gear side.
- (5) Install the synchronizer balls. (3 places)



- (6) Install the synchronizer ring.
- (7) While pressing the synchronizer ring with fingers, slide the sleeve to the reverse gear side.

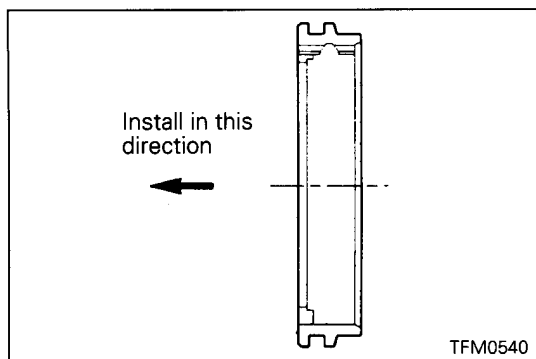
NOTE

Sliding the sleeve to the reverse gear side positions the balls at the center of the sleeve.

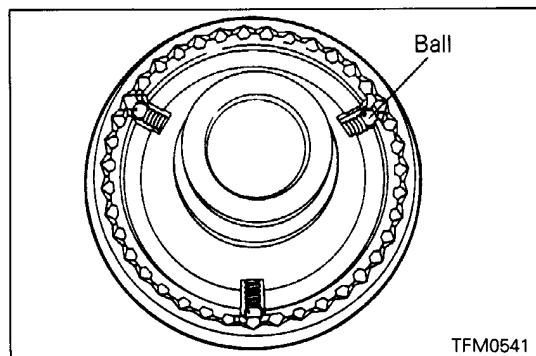


◆E◆ SYNCHRONIZER SPRING / BALL / SLEEVE / RING INSTALLATION

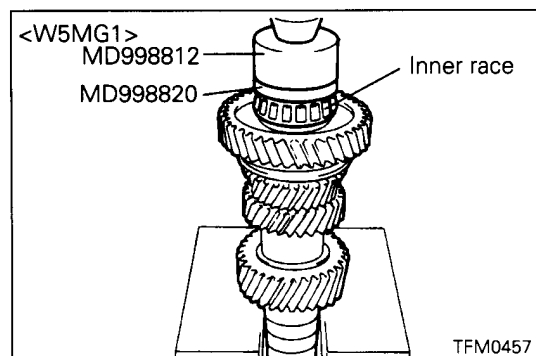
- (1) Install the springs to the synchronizer hub. (3 places)



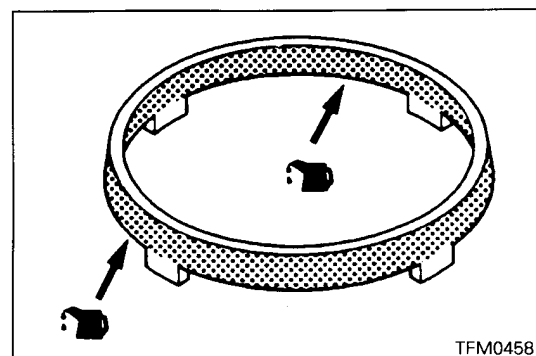
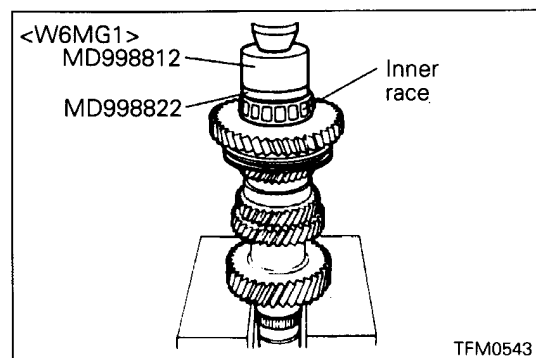
(2) Make sure that the synchronizer sleeve is positioned in correct direction.



(3) Install the synchronizer balls. (3 places)



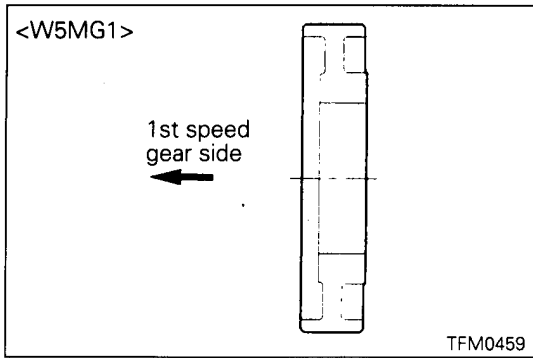
▶F◀ BEARING INNER RACE INSTALLATION



▶G◀ SYNCHRONIZER CONE INSTALLATION

(1) Apply transmission oil to the synchronizer cone facing (both sides).

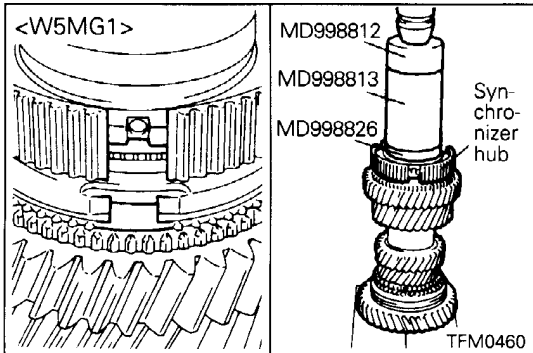
Specified oil:
Hypoid gear oil API GL-4 SAE 75W-85W or 80W



▶◀ 1ST – 2ND SYNCHRONIZER HUB INSTALLATION

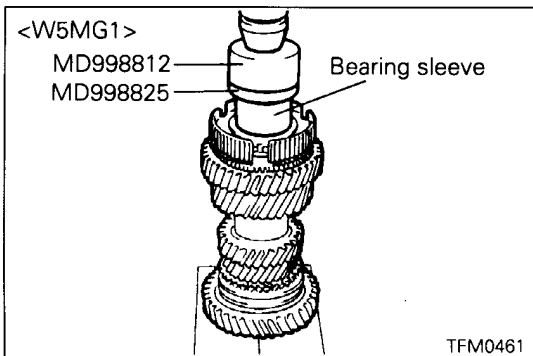
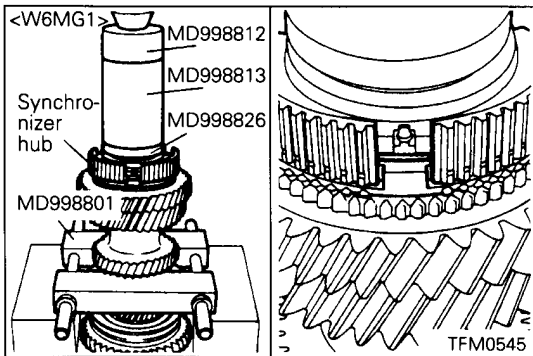
NOTE

On W6MG1, synchronizer hub can be installed in either direction.



Caution

- Align the synchronizer hub and ring as shown in the illustration.



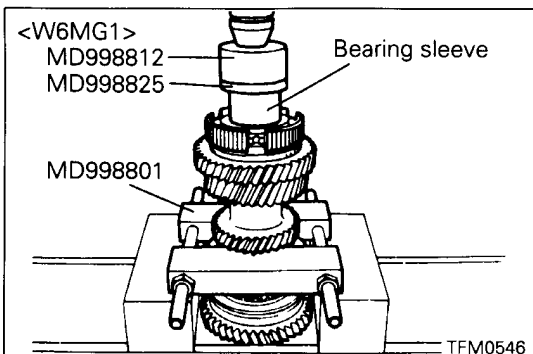
▶◀ BEARING SLEEVE INSTALLATION

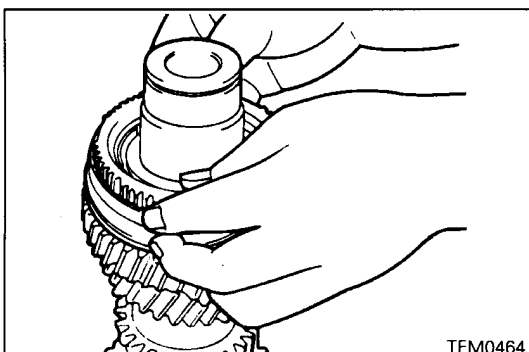
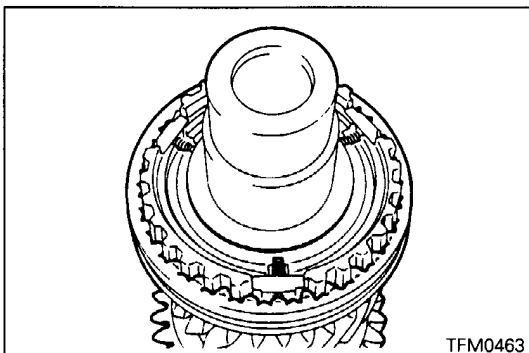
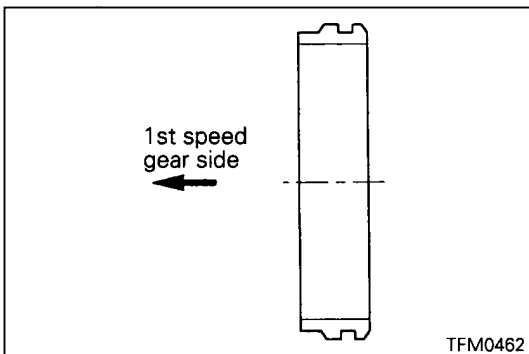
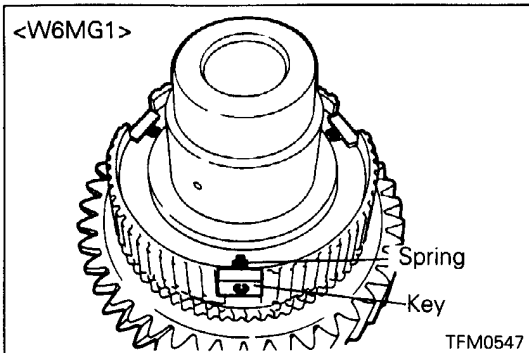
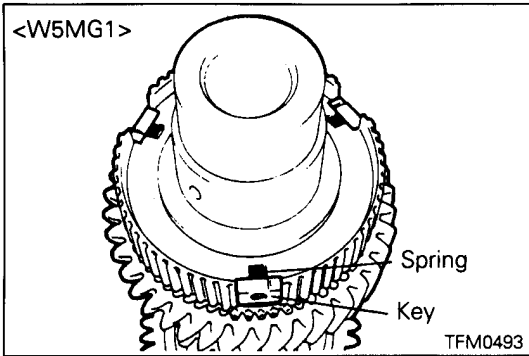
- (1) Using an electric heater and a thick iron plate, slowly heat the sleeve via the plate.

Specified temperature: 110 – 120°C (230 – 248°F)

Caution

- Never overheat. If too high temperature is applied, the material strength becomes weaker.
- Be careful not to burn yourself.





⇄ J ⇄ SYNCHRONIZER KEY / SPRING / BALL / SLEEVE / OUTER SYNCHRONIZER RING INSTALLATION

- (1) Install the keys and springs to the synchronizer hub. (3 places)

Caution

- Be sure to install the synchronizer keys with their chamfered ends outward.

- (2) Make sure that the synchronizer sleeve is positioned in correct direction.

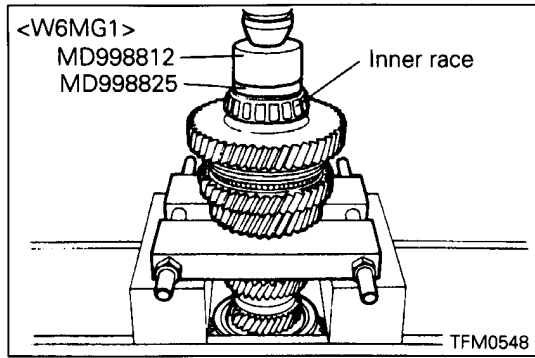
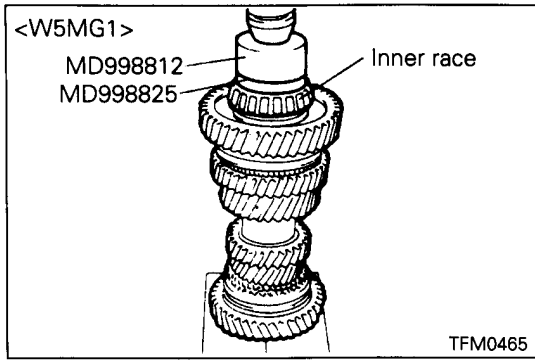
- (3) Shift the synchronizer sleeve to the 2nd speed gear side.
- (4) Install the synchronizer balls. (3 places)

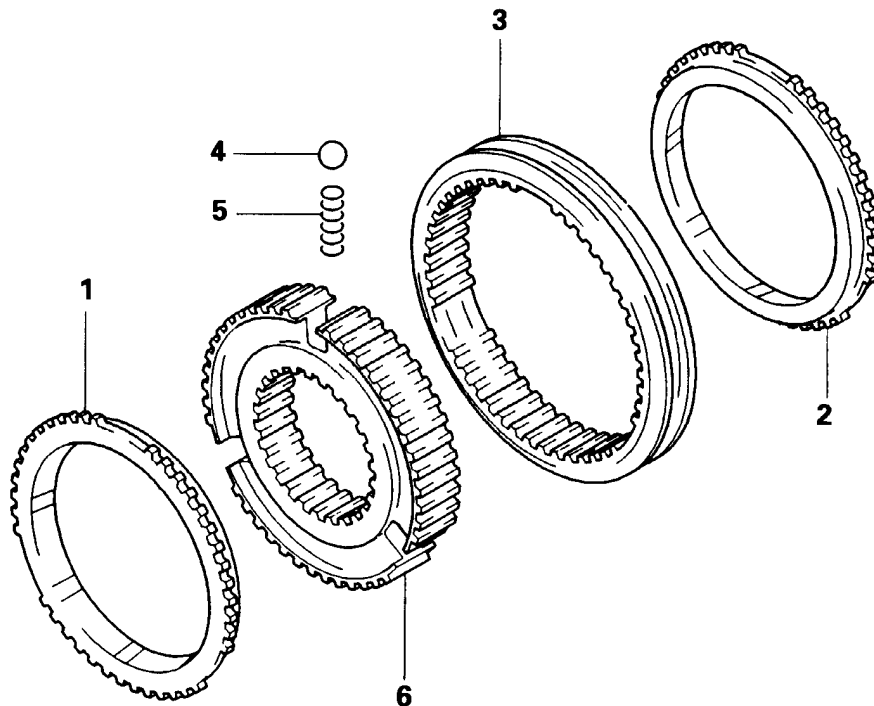
- (5) Install the outer synchronizer ring.
- (6) While pressing the outer synchronizer ring with fingers, slide the sleeve to the 1st speed gear side.

NOTE

Sliding the sleeve to the 1st speed gear side positions the balls at the center of the sleeve.

BEARING INNER RACE INSTALLATION



6. 3RD – 4TH SYNCHRONIZER <W6MG1>**DISASSEMBLY AND REASSEMBLY**

Lubricate all internal parts with gear oil during reassembly.

Disassembly steps

1. 3rd speed synchronizer ring
2. 4th speed synchronizer ring
- ◇A◇ 3. Synchronizer sleeve
- ◆A◆ 4. Synchronizer ball
- ◆A◆ 5. Synchronizer spring
6. Synchronizer hub

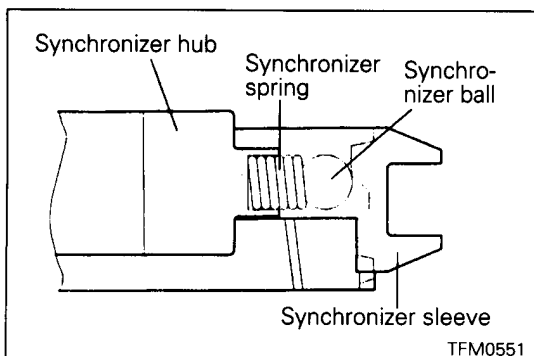
TFM0549

DISASSEMBLY SERVICE POINT**◇A◇ SYNCHRONIZER SLEEVE REMOVAL**

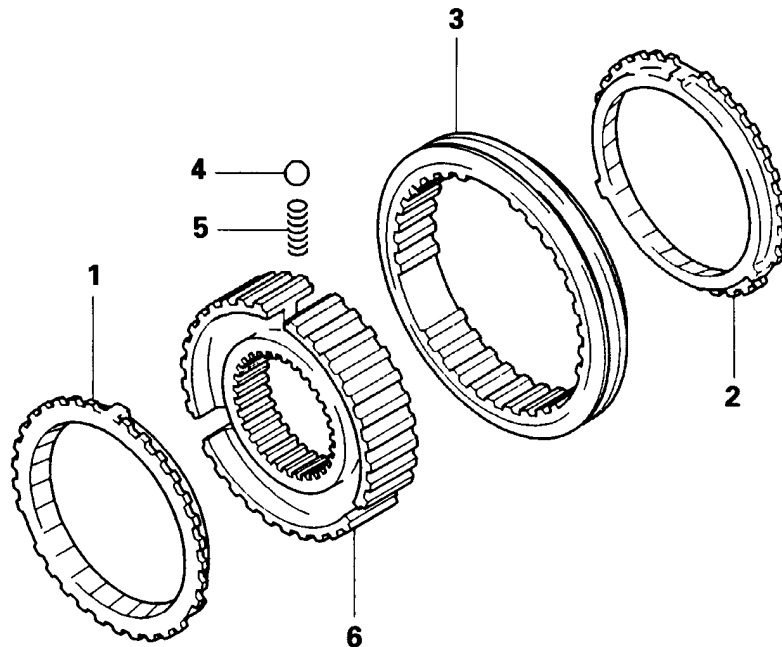
- (1) Remove the sleeve while covering it with hands. Be careful not to lose the synchronizer balls and springs as they may jump off when the sleeve is removed.

REASSEMBLY SERVICE POINTS**◆A◆ SYNCHRONIZER SPRING / BALL / SLEEVE INSTALLATION**

- (1) Install the synchronizer sleeve and the 4th speed synchronizer ring to the synchronizer hub.
- (2) Install the synchronizer springs and balls. (3 places)



TFM0551

7. 5TH – 6TH SYNCHRONIZER <W6MG1>**DISASSEMBLY AND REASSEMBLY**

Lubricate all internal parts with gear oil during reassembly.

Disassembly steps

1. 5th speed synchronizer ring
2. 6th speed synchronizer ring
- ◊A◊ ▶▶▶ 3. Synchronizer sleeve
- ▶▶▶ 4. Synchronizer ball
- ▶▶▶ 5. Synchronizer spring
6. Synchronizer hub

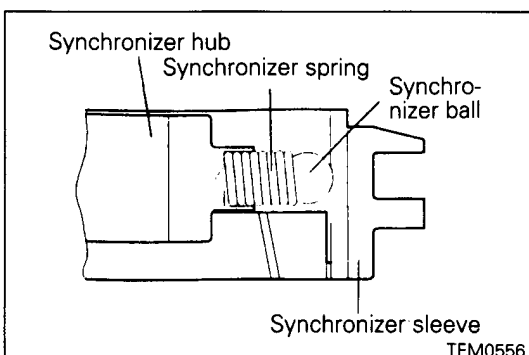
TFM0554

DISASSEMBLY SERVICE POINT**◊A◊ SYNCHRONIZER SLEEVE REMOVAL**

- (1) Remove the sleeve while covering it with hands. Be careful not to lose the synchronizer balls and springs as they may jump off when the sleeve is removed.

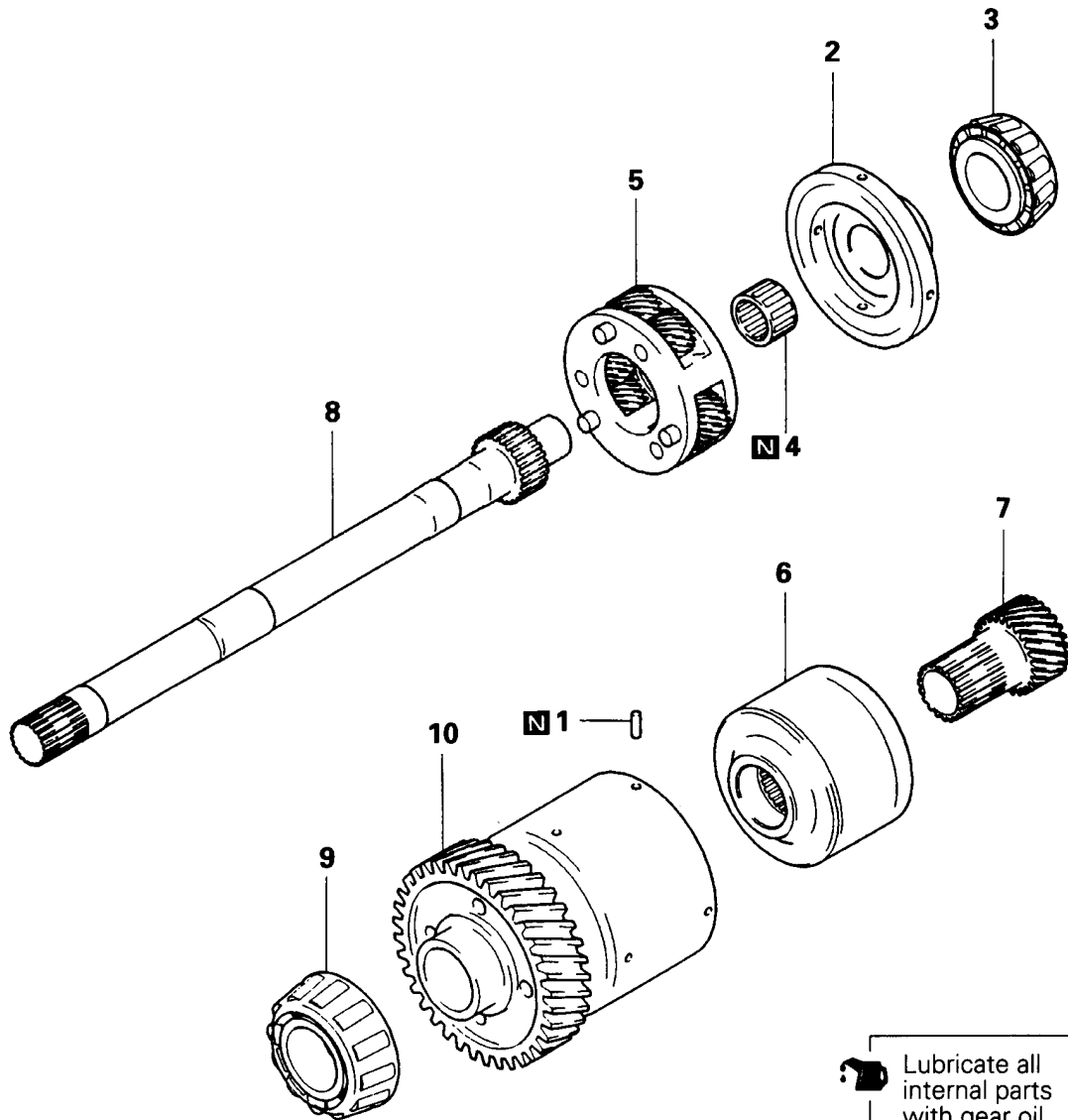
REASSEMBLY SERVICE POINTS**▶▶▶ SYNCHRONIZER SPRING / BALL / SLEEVE INSTALLATION**

- (1) Install the synchronizer sleeve and the 6th speed synchronizer ring to the synchronizer hub.
- (2) Install the synchronizer springs and balls. (3 places)




TFM0556

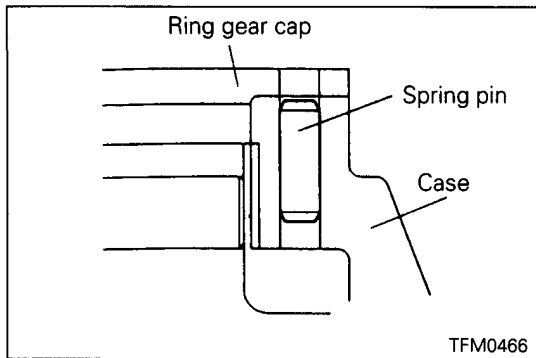
8. CENTER DIFFERENTIAL DISASSEMBLY AND REASSEMBLY



Disassembly steps

- ◆E◆ 1. Spring pin
- ◆A◆◆D◆ 2. Ring gear cap
- ◆B◆◆C◆ 3. Bearing inner race
- ◆C◆◆B◆ 4. Needle bearing
- 5. Planet carrier
- 6. Viscous coupling
- 7. Sun gear shaft
- 8. Center shaft
- ◆D◆◆A◆ 9. Bearing inner race
- 10. Center differential case

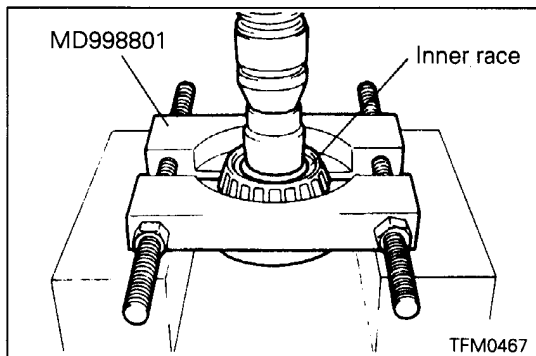
 Lubricate all internal parts with gear oil during reassembly.



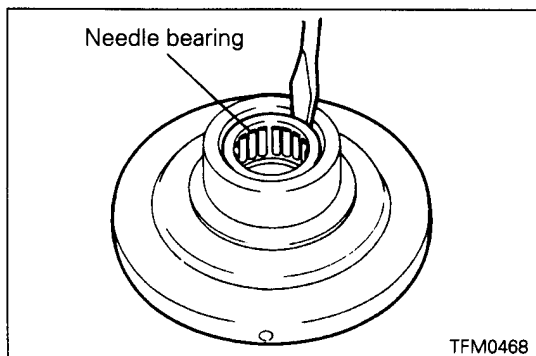
DISASSEMBLY SERVICE POINTS

◊A◊ RING GEAR CAP REMOVAL

(1) Drive in the spring pins to the position shown in the illustration.

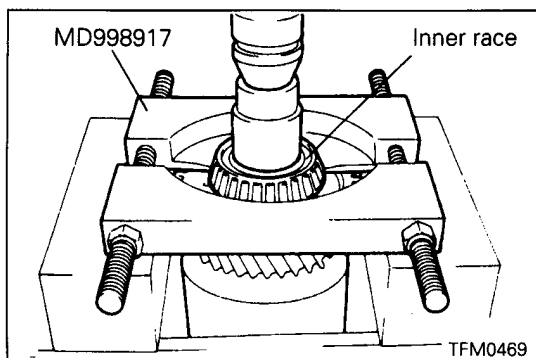


◊B◊ BEARING INNER RACE REMOVAL

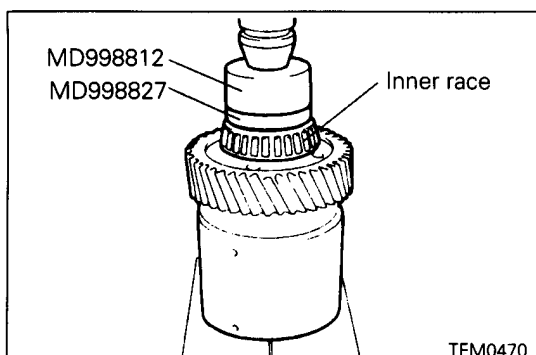


◊C◊ NEEDLE BEARING REMOVAL

(1) Using a screwdriver or the like, remove the needle bearing.

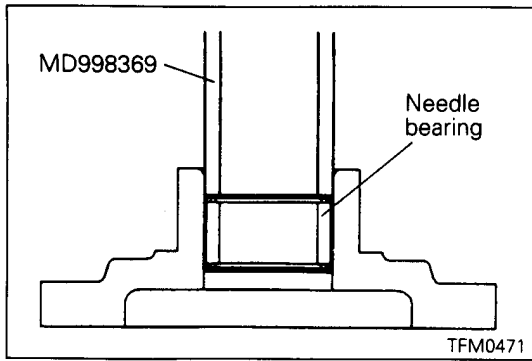


◊D◊ BEARING INNER RACE REMOVAL



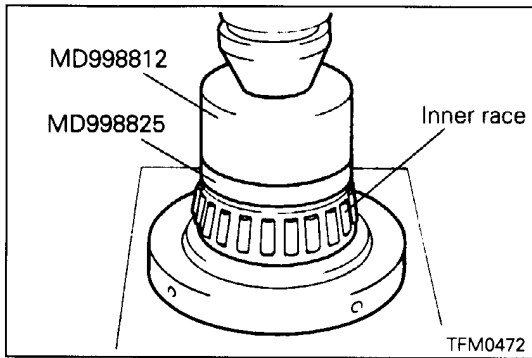
REASSEMBLY SERVICE POINTS

▶A▶ BEARING INNER RACE INSTALLATION

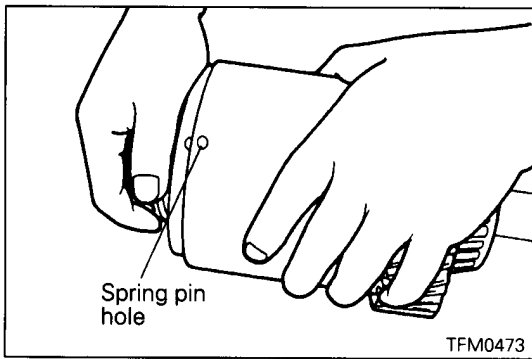


▶B▶ NEEDLE BEARING INSTALLATION

(1) Press in the bearing to the position shown in the illustration.

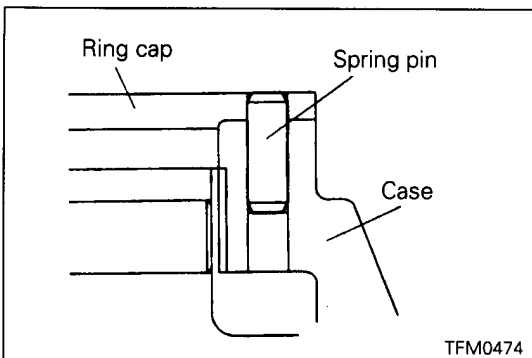


▶C▶ BEARING INNER RACE INSTALLATION



▶D▶ RING GEAR CAP INSTALLATION

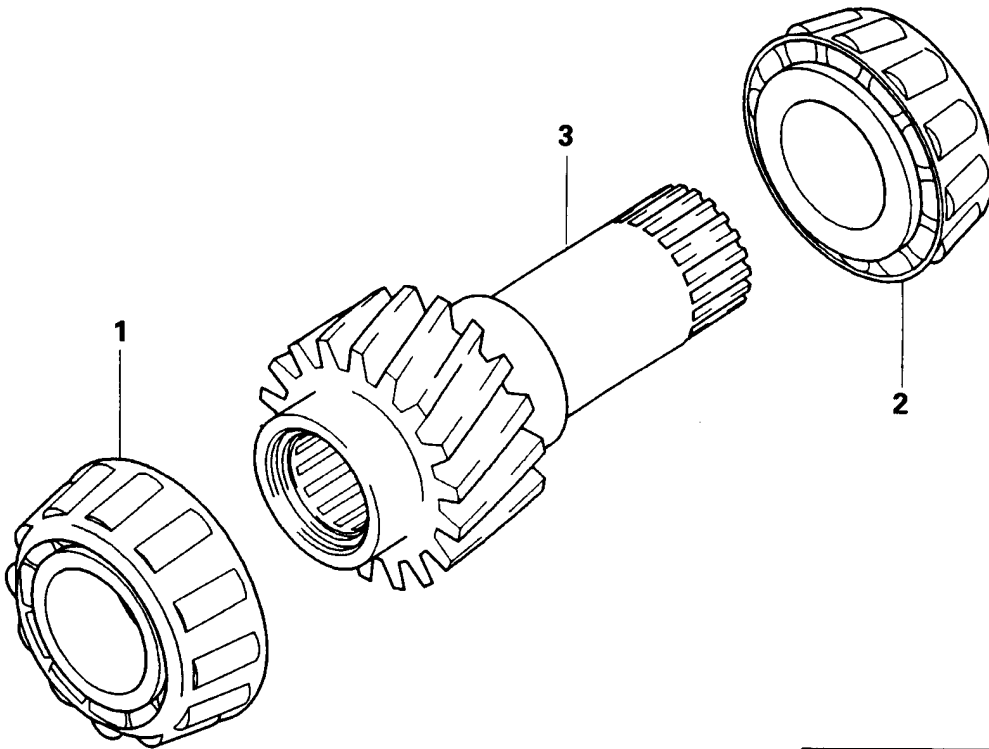
(1) While aligning the spring pin holes of the ring gear cap and center differential case, install the cap using a plastic hammer or the like.



▶E▶ SPRING PIN INSTALLATION


(1) Drive in the spring pins until they become flat with the center differential case surface.

**9. FRONT OUTPUT SHAFT
DISASSEMBLY AND REASSEMBLY**

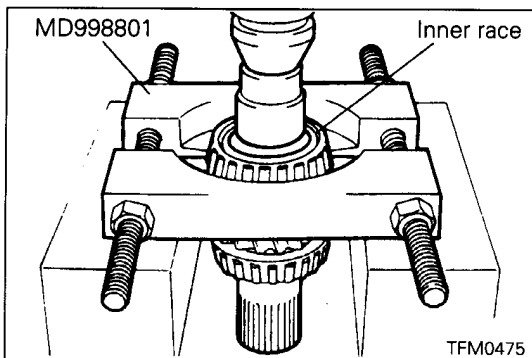


Disassembly steps

- ◁A▷ ▷B◁ 1. Bearing inner race
- ◁A▷ ▷A◁ 2. Bearing inner race
- 3. Front output shaft

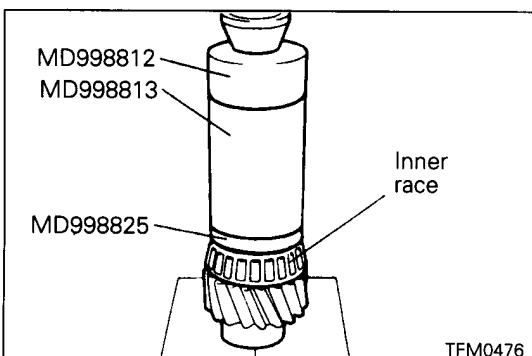
 Lubricate all internal parts with gear oil during reassembly.

TFM0388



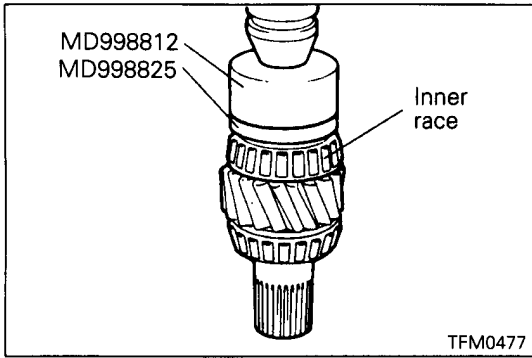
DISASSEMBLY SERVICE POINT

◁A▷ **BEARING INNER RACE REMOVAL**



REASSEMBLY SERVICE POINTS

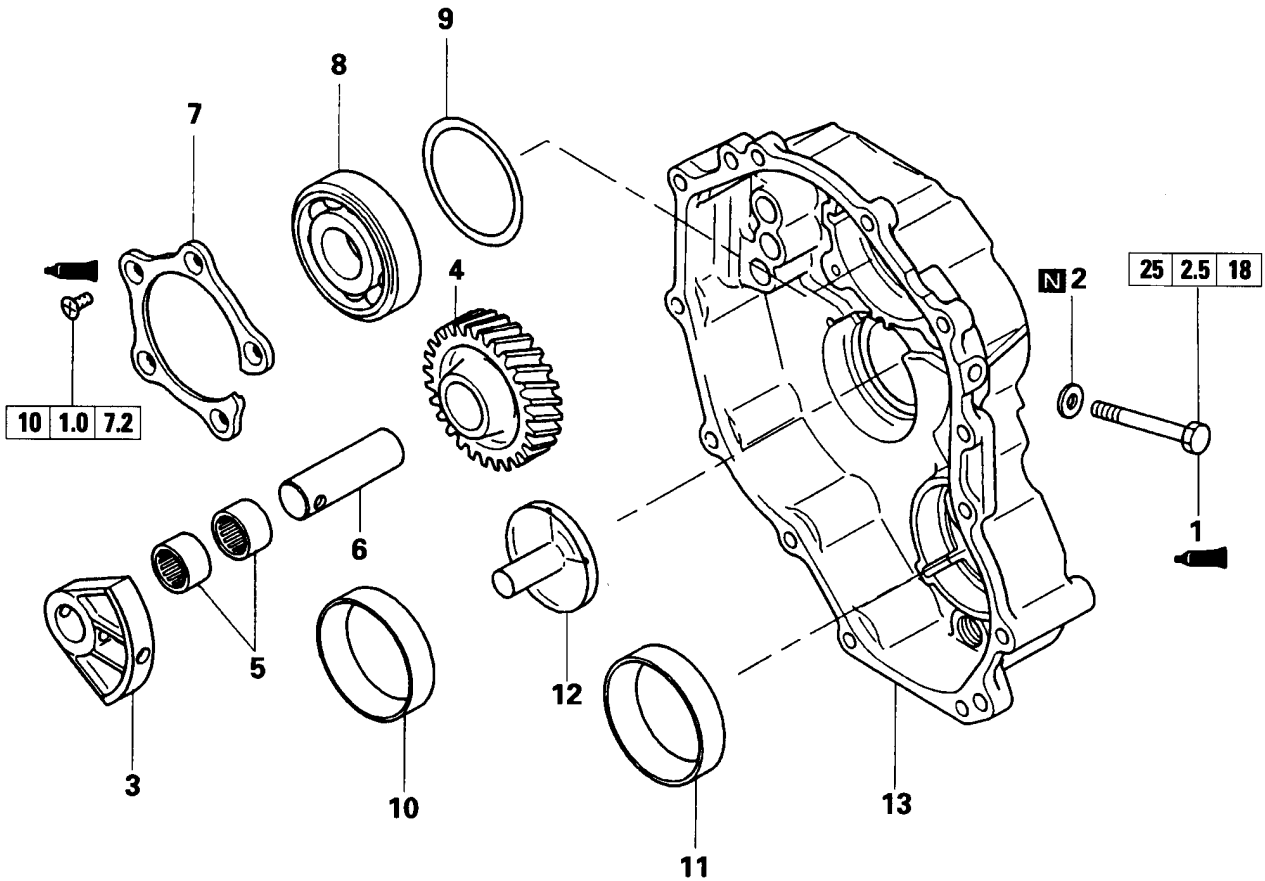
▷A◁ **BEARING INNER RACE INSTALLATION**




⇨B⇩ BEARING INNER RACE INSTALLATION

10. REAR COVER

DISASSEMBLY AND REASSEMBLY <W5MG1>

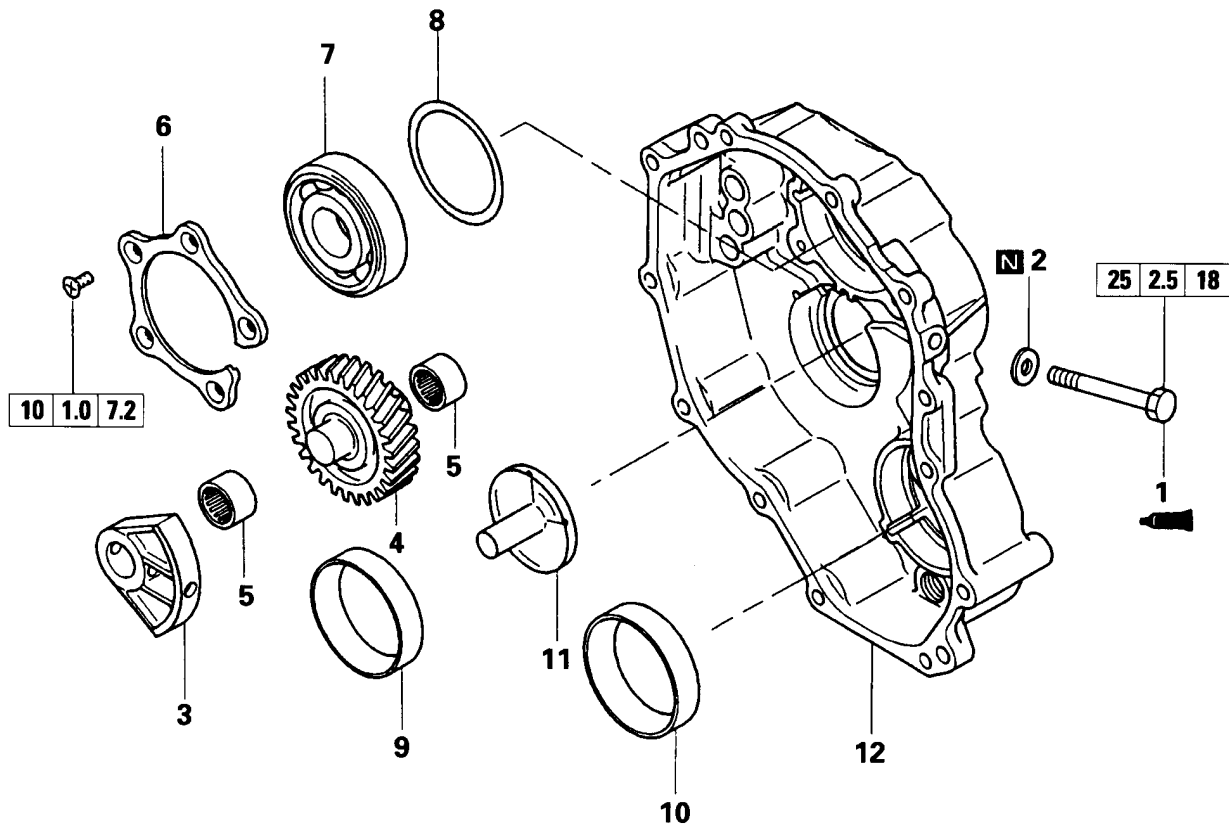



 Lubricate all internal parts with gear oil during reassembly.

Disassembly steps

- ▶G▶ 1. Reverse idler gear shaft bolt
- ▶ 2. Gasket
- ▶ 3. Reverse idler gear shaft retainer
- ▶ 4. Reverse gear
- ▶ 5. Needle bearing
- ▶F▶ 6. Reverse idler gear shaft
- ▶E▶ 7. Input shaft rear bearing retainer
- ▶D▶ 8. Input shaft rear bearing
- ▶A▶▶C▶ 9. Spacer
- ▶B▶▶B▶ 10. Bearing outer race
- ▶A▶▶B▶ 11. Bearing outer race
- ▶A▶▶ 12. Oil guide
- ▶ 13. Rear cover

DISASSEMBLY AND REASSEMBLY <W6MG1>

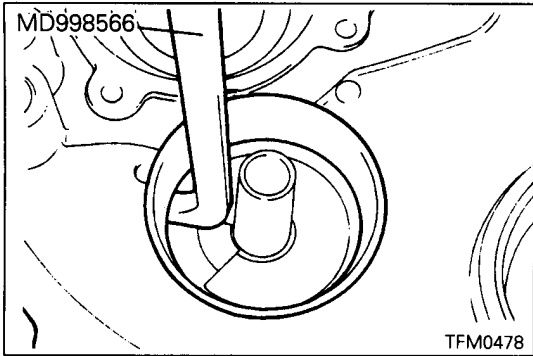


 Lubricate all internal parts with gear oil during reassembly.

Disassembly steps

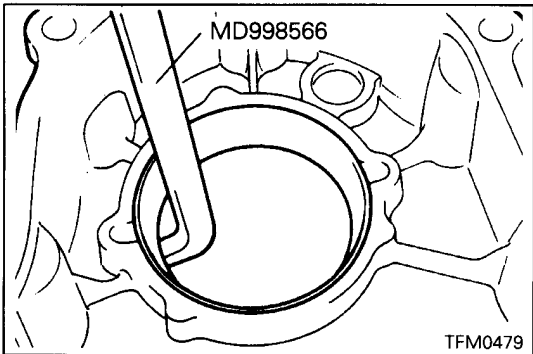
- ◆G◆ 1. Reverse idler gear shaft bolt
- 2. Gasket
- 3. Reverse idler gear retainer
- 4. Reverse idler gear
- 5. Needle bearing
- ◆E◆ 6. Input shaft rear bearing retainer

- ◆D◆ 7. Input shaft rear bearing
- 8. Spacer
- ◆A◆ ◆C◆ 9. Bearing outer race
- ◆B◆ ◆B◆ 10. Bearing outer race
- ◆A◆ 11. Oil guide
- 12. Rear cover

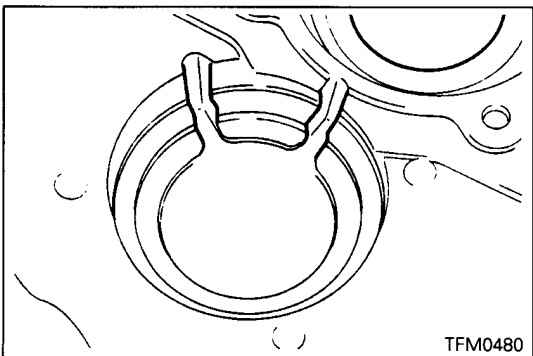


DISASSEMBLY SERVICE POINTS

◁A▷ BEARING OUTER RACE REMOVAL



◁B▷ BEARING OUTER RACE REMOVAL



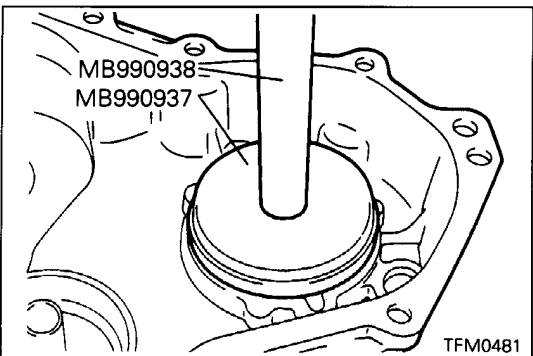
REASSEMBLY SERVICE POINTS

▷A◁ OIL GUIDE INSTALLATION

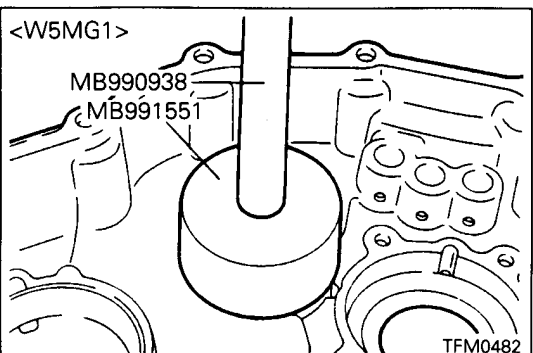
(1) Align the notch of the oil guide with the position shown in the illustration.

Caution

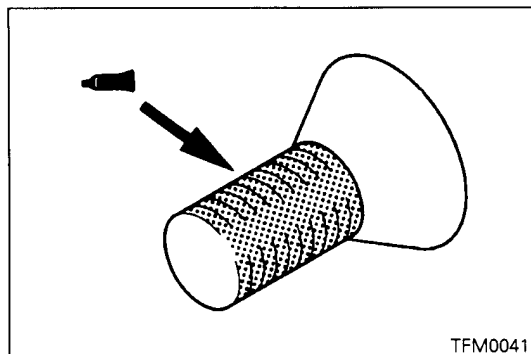
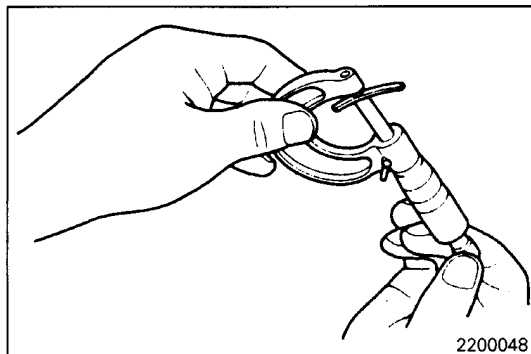
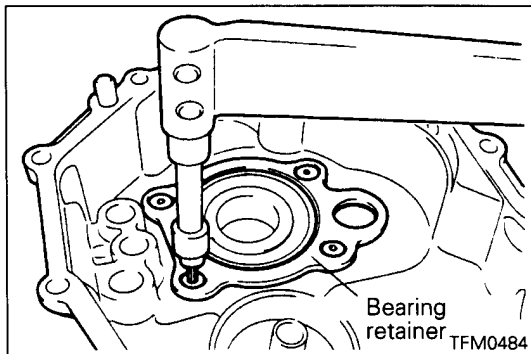
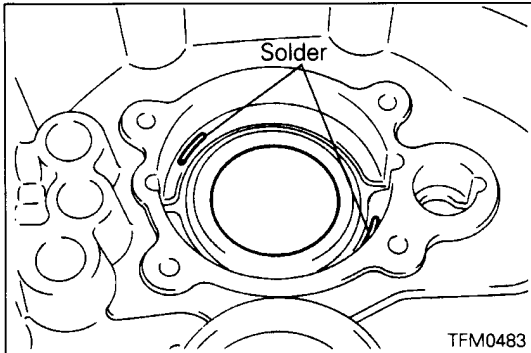
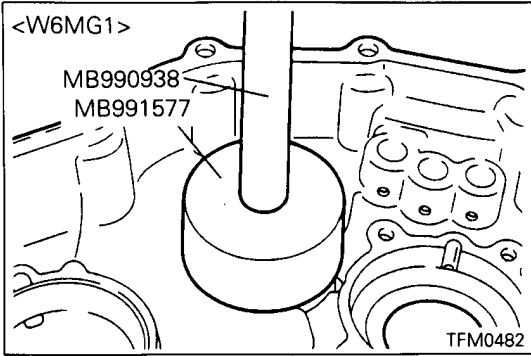
- If the oil guide is damaged, replace it with a new one.



▷B◁ BEARING OUTER RACE INSTALLATION



▷C◁ BEARING OUTER RACE INSTALLATION



⇨D⇨ SPACER INSTALLATION

(1) Place solders [approx. 10 mm (0.39 in.) in length and 1.6 mm (0.063 in.) in diameter] in the rear cover as shown in the illustration and install the input shaft rear bearing.

(2) Install the input shaft rear bearing retainer and tighten the bolts to the specified torque.

(3) Measure the thickness of the crushed solders using a micrometer. Based on the measurement, select the appropriate spacer to adjust the end play within the standard value.

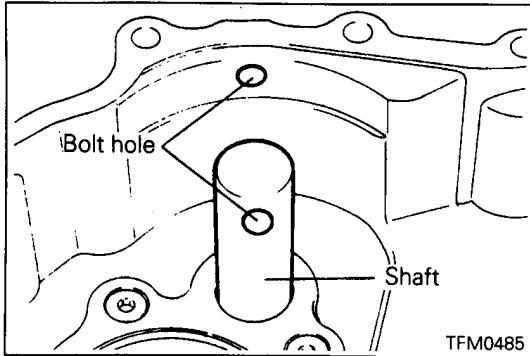
Standard value: 0.02 – 0.05 mm (0.0008 – 0.0020 in.)

(4) If the solders were not pressed, use solders with larger diameter and repeat the above procedure (1) through (2).

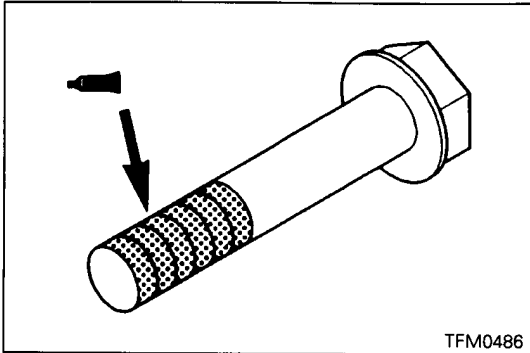
⇨E⇨ INPUT SHAFT REAR BEARING RETAINER INSTALLATION

(1) Apply sealant to the bolt threads and tighten the bolts to the specified torque.

Specified sealant: LOCTITE No. 242 or equivalent

**⇨F⇨ REVERSE IDLER GEAR SHAFT INSTALLATION**

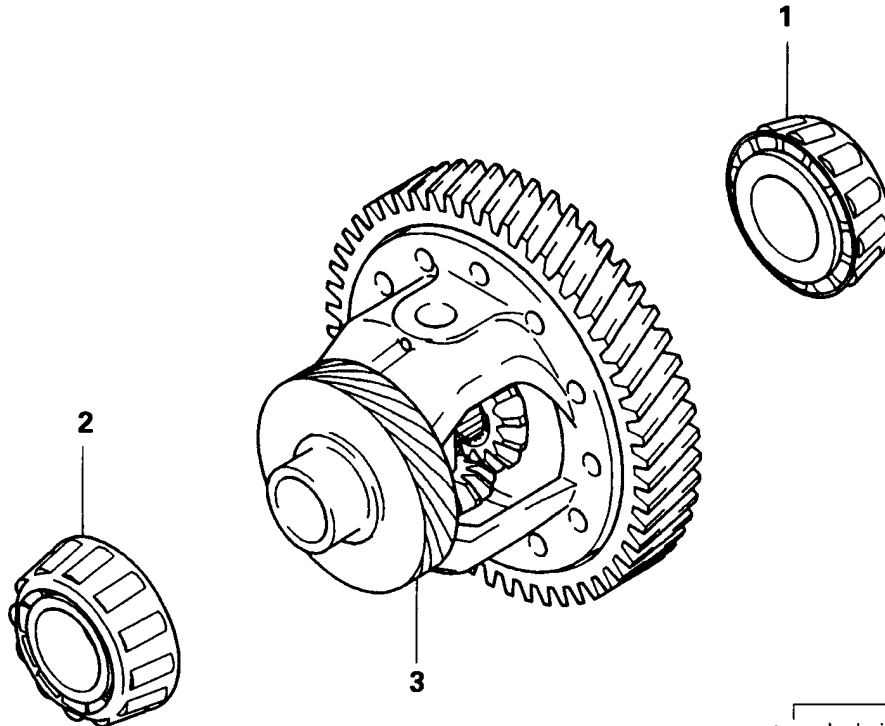
- (1) Install the shaft with its bolt hole located as shown in the illustration.


**⇨G⇨ REVERSE IDLER GEAR SHAFT BOLT <W5MG1> / REVERSE IDLER GEAR RETAINER BOLT <W6MG1> INSTALLATION**

- (1) Apply sealant to the bolt threads and tighten the bolts to the specified torque.

Specified sealant: LOCTITE No. 242 or equivalent

11. FRONT DIFFERENTIAL DISASSEMBLY AND REASSEMBLY

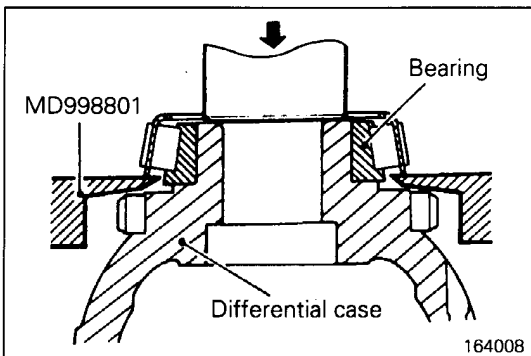


 Lubricate all internal parts with gear oil during reassembly.

Disassembly steps

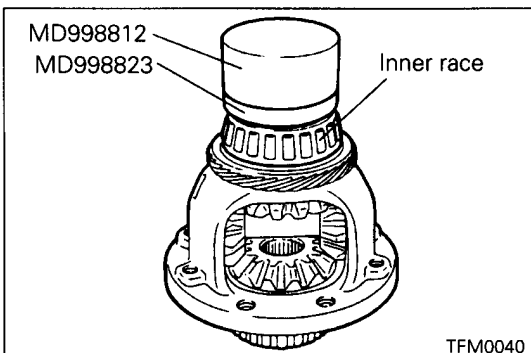
- ◁A▷ ▷B◁ 1. Bearing inner race
- ◁A▷ ▷A◁ 2. Bearing inner race
- 3. Differential case

TFM0393



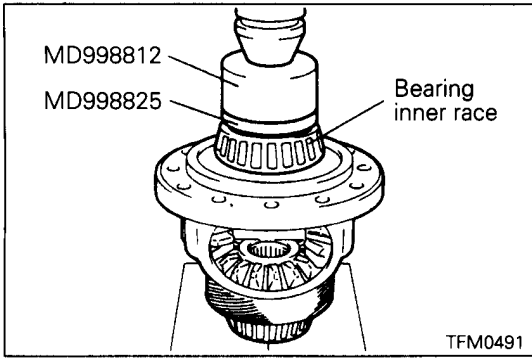
DISASSEMBLY SERVICE POINT

◁A▷ BEARING INNER RACE REMOVAL



REASSEMBLY SERVICE POINTS

▷A◁ BEARING INNER RACE INSTALLATION

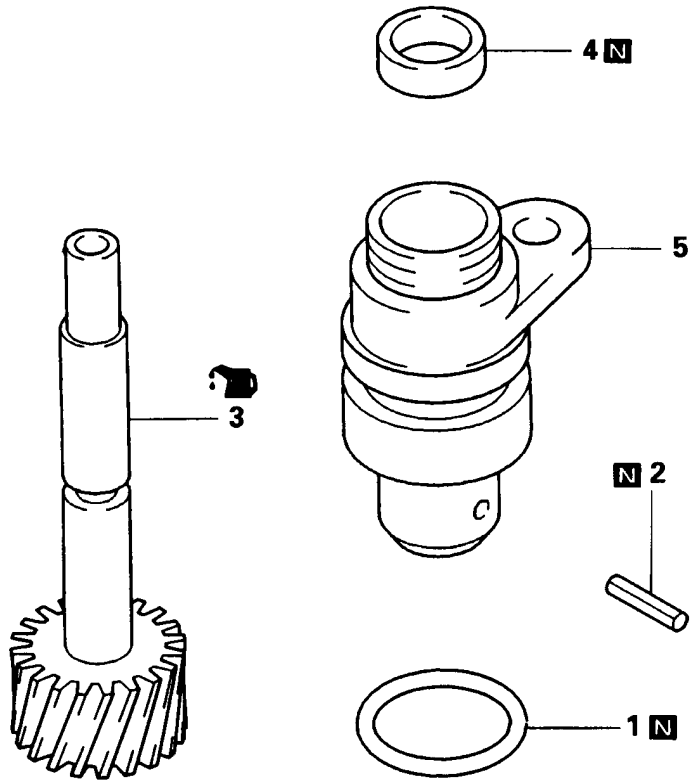


▶B◀ BEARING INNER RACE INSTALLATION

12. SPEEDOMETER GEAR DISASSEMBLY AND REASSEMBLY



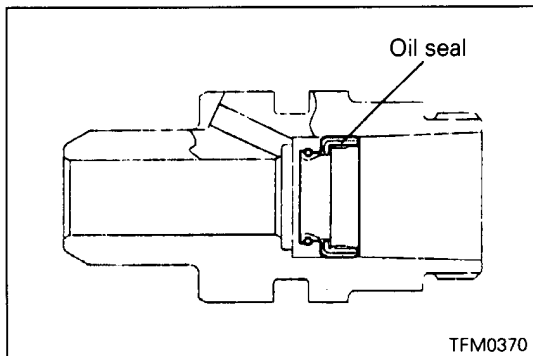
Lubricate all internal parts with gear oil during reassembly.



Disassembly steps

- 1. O-ring
- ▶C▶ 2. Spring pin
- ▶B▶ 3. Speedometer driven gear
- ▶A▶ 4. Oil seal
- 5. Sleeve

TFM0391



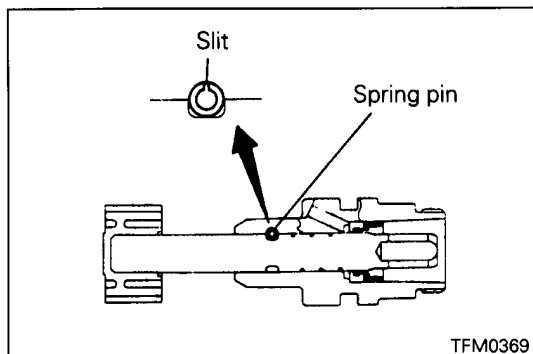
REASSEMBLY SERVICE POINTS

▶A▶ OIL SEAL INSTALLATION

- (1) Press in the oil seal to the position shown in the illustration.

▶B▶ SPEEDOMETER DRIVEN GEAR INSTALLATION

- (1) Apply gear oil to the speedometer driven gear shaft and install the shaft.

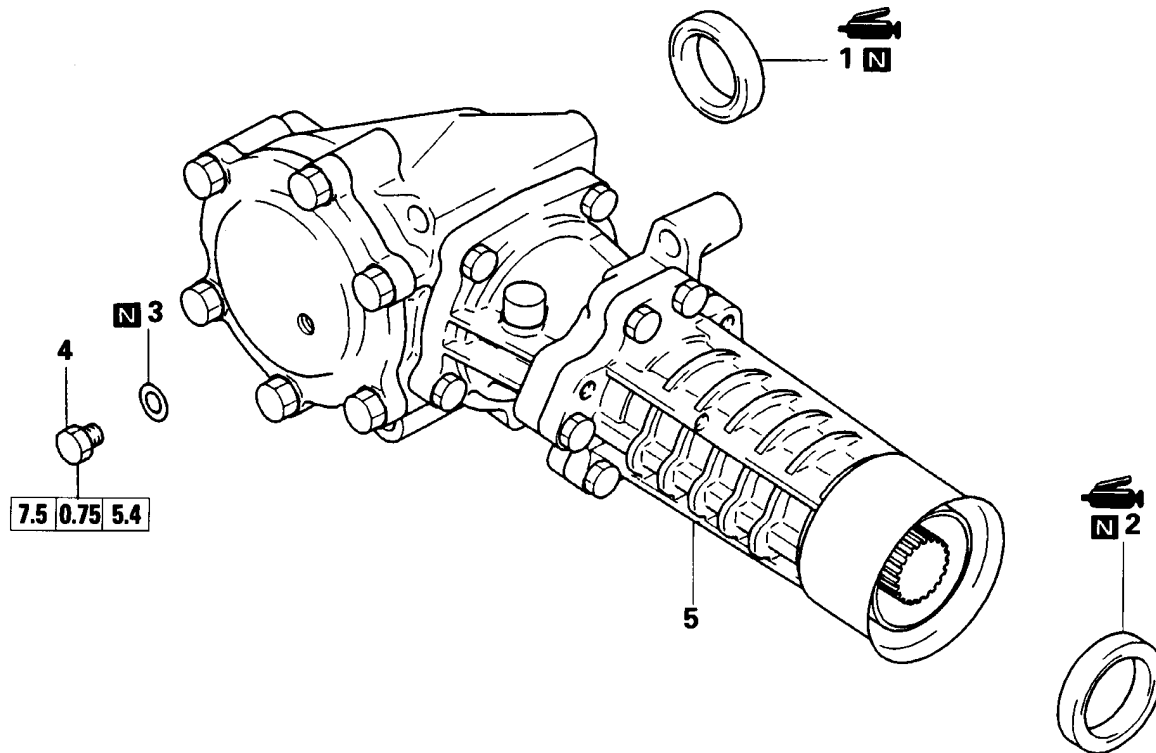


▶C▶ SPRING PIN INSTALLATION

- (1) Insert the spring pin while facing its slit away from the driven gear.

13. TRANSFER

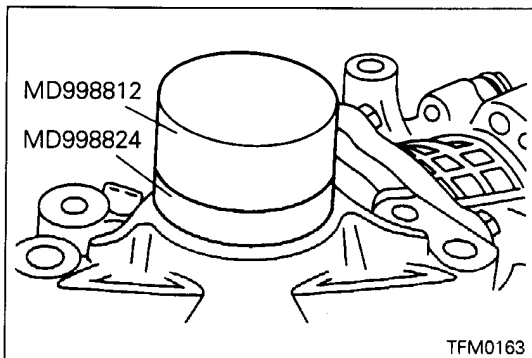
DISASSEMBLY AND REASSEMBLY



Disassembly steps

- ▶▶ 1. Oil seal
- ▶▶ 2. Oil seal
- 3. Gasket
- 4. Oil level inspection plug
- 5. Transfer

TFM0489



REASSEMBLY SERVICE POINT

▶▶ **OIL SEAL INSTALLATION**

(1) After installing the oil seal, apply grease to the oil seal lips.

Specified grease:

MITSUBISHI genuine grease
Part No. 0101011 or equivalent

